

**Description**

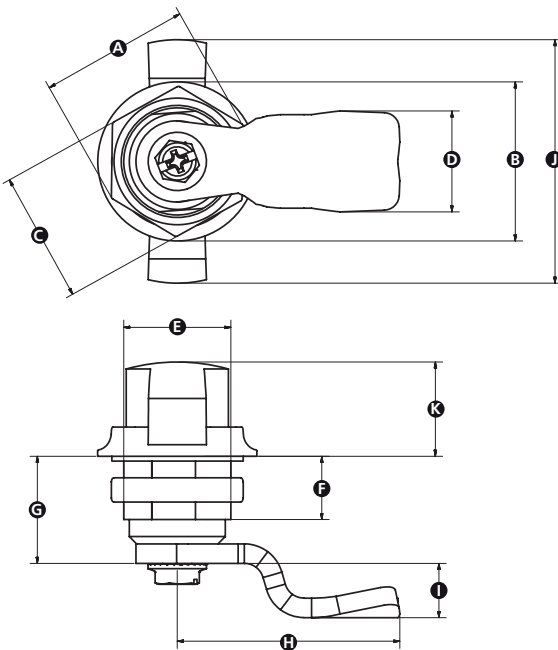
Use in conjunction with a padlock to provide increased security on cabinets and enclosures.

**Material**

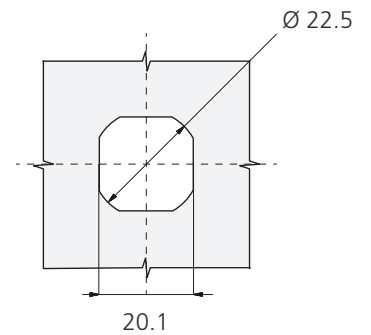
Die cast zinc plated steel lock mechanism and black powder coated die cast zinc knob

**IP rating**

IP54: Dust protected / Protected against splashing water



Cut out



Part No.	A	B	C	D	E	F	G	H	I	J	K
16243W	31	33	27	21	22	13	22	46	11	50	19