

INDUSTRIAL HARDWARE

CHAPTER 1: **QUARTER TURN LOCKS**

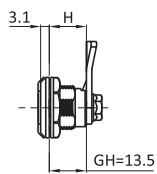


SMALL QUARTER TURN LOCKS	22
L-SHAPE QUARTER TURN LOCKS	23
SMALL QUARTER TURN LOCKS	24
SMALL KEYED QUARTER TURN LOCKS	25
SMALL WING KNOB QUARTER TURN LOCKS	26
VIBRATION RESISTANT QUARTER TURN LOCKS	28-29
ECONOMICAL QUARTER TURNS	30
QUARTER TURN LOCK INDUSTRY STANDARD	31
INDUSTRY STANDARD	31
QUARTER TURN LOCKS VIBRATION RESISTANT	32
SPRING STYLE QUARTER TURN LOCKS	33
HYGIENIC QUARTER TURN LOCKS	33
WING KNOB QUARTER TURN LOCKS	34
PAD LOCK COMPATIBLE QUARTER TURN LOCKS	35-36
LOW PROFILE QUARTER TURN LOCKS	37
WING KNOB QUARTER TURN LOCKS	37
T-HANDLE QUARTER TURN LOCKS	38
L - HANDLE LOCK	39
PAD LOCK COMPATIBLE L-HANDLE QUARTER TURN LOCKS	40
L-HANDLE QUARTER TURN LOCKS	40-41
PAD LOCK COMPATIBLE L-HANDLE QUARTER TURN LOCKS	42
L-HANDLE QUARTER TURN LOCK WITH DEFEATER FUNCTION	43
QUARTER TURN LOCKS EXTENDED HOUSING	44
QUARTER TURN LOCKS	46
STANDARD QUARTER TURN CAMS	47

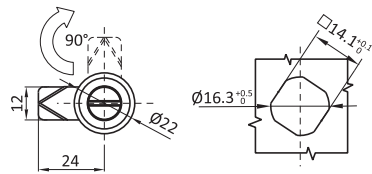
SMALL QUARTER TURN LOCKS

DESCRIPTION	For easy and secure latching and locking of doors and flaps. Wide range of inserts, cams, and accessories.
MATERIAL	Die-cast zinc
SURFACE	Black powder coated / chrome plated
SPECIALS	Right and left IP65 / NEMA 4

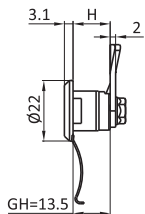
With Nut Mounting



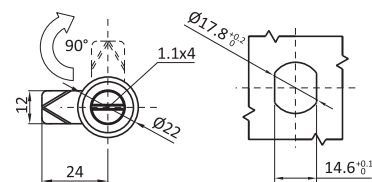
Panel Cutout A



With Spring Fixing Plate



Panel Cutout B



Handle Type



Triangular 6.5mm



Square 6mm

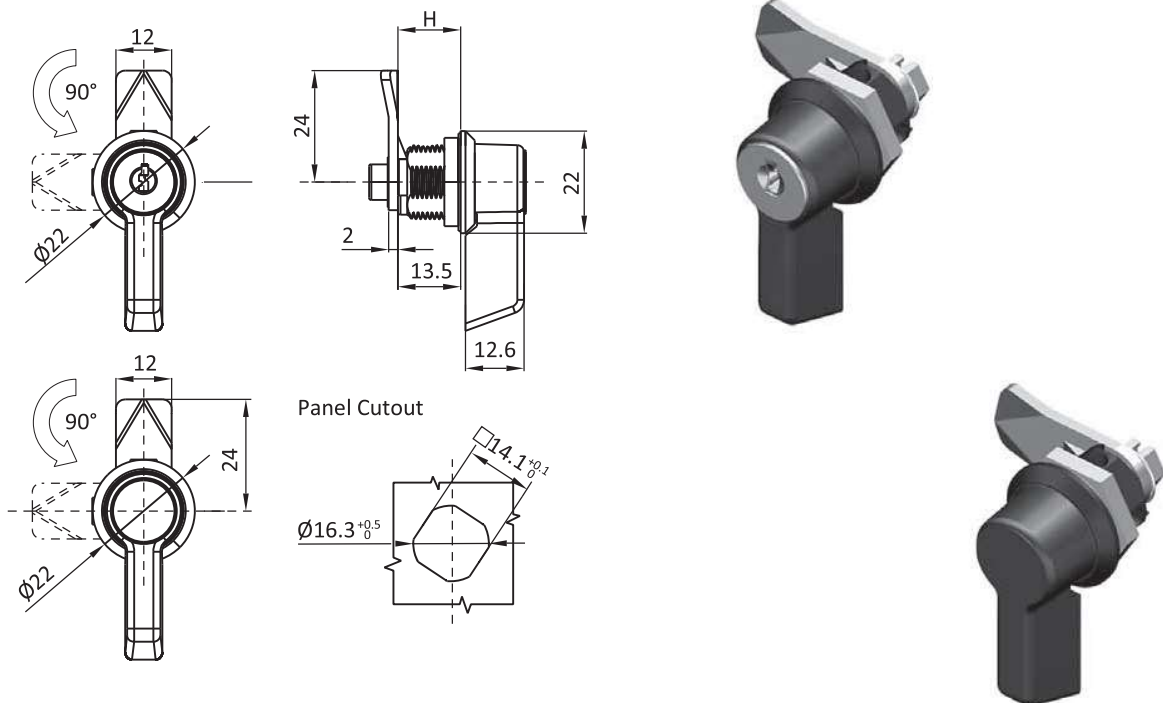


Slot 1.5

Small Quarter Turn Locks	Cylinder style	Cam style	Die-cast Zinc, black powder coated	Die-cast Zinc, chrome plated	316 SS
Nut mounting Cutout Panel A	Square 6.0mm	H = 7.5 mm	0810448	0810447	0810591
		H = 13.5 mm	0810596	0810595	0810597
		H = 19.5 mm	0810608	0810607	0810609
	Triangular 6.5mm	H = 7.5 mm	0810450	0810449	0810592
		H = 13.5 mm	0810599	0810598	0810600
		H = 19.5 mm	0810611	0810610	0810612
	Slot 1.5mm	H = 7.5 mm	0810452	0810451	0810593
		H = 13.5 mm	0810602	0810601	0810603
		H = 19.5 mm	0810614	0810613	0810615
	Handle type	H = 7.5 mm	0810454	0810453	0810594
		H = 13.5 mm	0810605	0810604	0810606
		H = 19.5 mm	0810617	0810616	0810618
Spring mounting Cutout Panel B	Square 6.0mm	H = 7.5 mm			0810621
		H = 13.5 mm			
		H = 19.5 mm			
	Slot 1.5mm	H = 7.5 mm		0810625	
		H = 13.5 mm			
		H = 19.5 mm			

L-SHAPE QUARTER TURN LOCKS

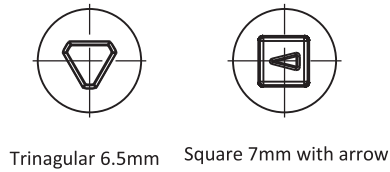
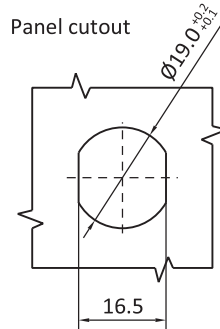
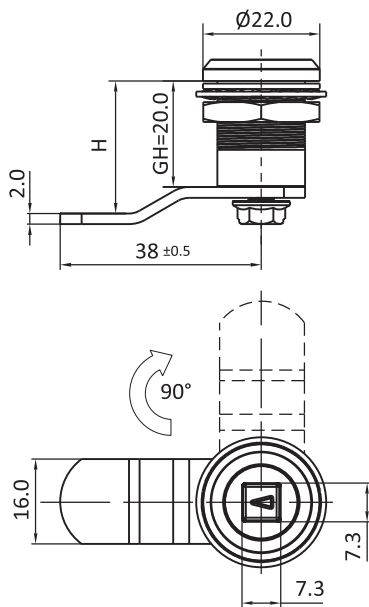
DESCRIPTION	For easy and secure latching and locking of doors and flaps. Wide range of inserts, cams, and accessories.
MATERIAL	Die-cast zinc
SURFACE	Black powder coated / chrome plated
SPECIALS	Key code FH2233 Keyed different on request FH751 key code on request



L-Shape Quarter Turn Lock	H Dimension [mm]	Die-cast Zinc, black powder coated	Die-cast Zinc, chrome plated
Non-locking	7.5	0810455	0810456
	13.5	0811005	0811009
	19.5	0811006	0811010
Key locking	7.5	0810457	0810458
	13.5	0811007	0811011
	19.5	0811008	0811012

SMALL QUARTER TURN LOCKS

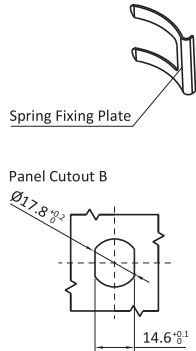
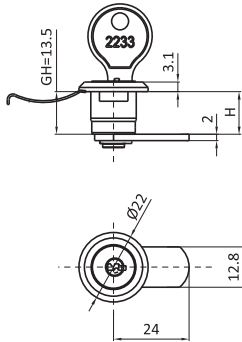
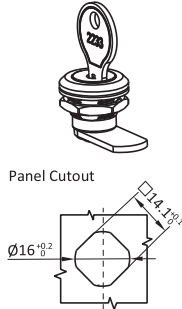
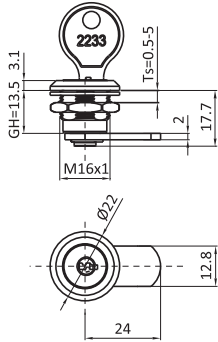
DESCRIPTION	For easy and secure latching and locking of doors and flaps. Wide range of cams and accessories.
MATERIAL	Die-cast zinc
SURFACE	Nickel Plate
SPECIALS	Right and left



Push To Close Quarter Turn Locks	Cylinder Style	GH - 20 Die-cast Zinc
	Non-locking	Square 7mm with arrow
		Triangular 6.5mm
		0810666
		0810667

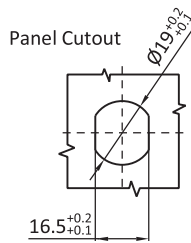
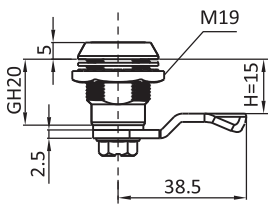
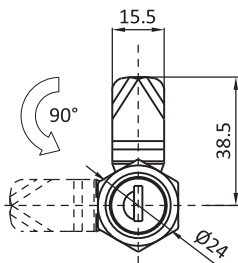
SMALL KEYED QUARTER TURN LOCKS

DESCRIPTION	For easy and secure latching and locking of doors and flaps. Wide range of inserts, cams, and accessories. Key code 2233
MATERIAL	Die-cast zinc
SURFACE	Black powder coated / chrome plated
SPECIALS	Key code FH2233



Quarter Turn Locks	Nut Mounting	Nut Mounting	Spring Mounting	Spring Mounting
H Dimension	Black Powder Coated	Bright Chrome Plated	Black Powder Coated	Bright Chrome Plated
13.5mm	0850254	0850255	0850256	0850257
19.5mm	0850258	0850259	0850260	0850261

Chapter 5 and 9 for accessories

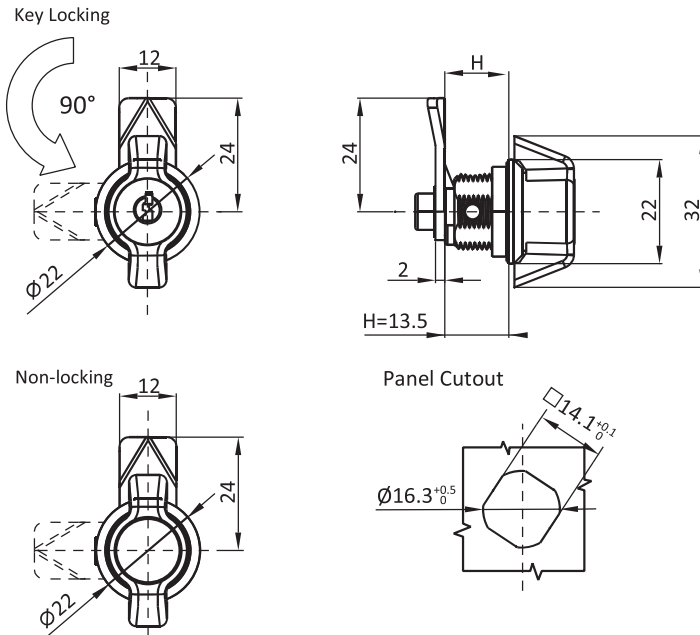


Quarter Turn Locks	Key locking	Die-cast Zinc, black powder coated	Die-cast Zinc, chrome plated
		0810714	0810715

Keyed different on request
 FH751 key code on request

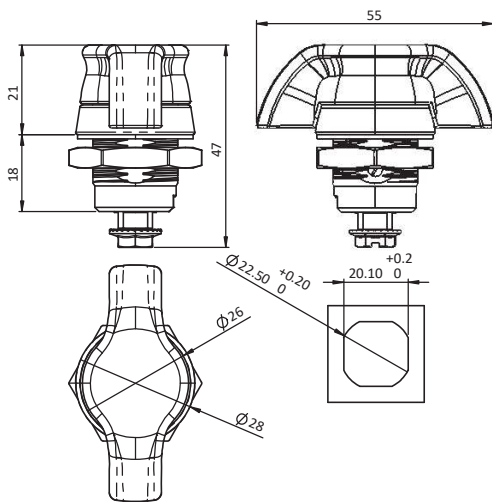
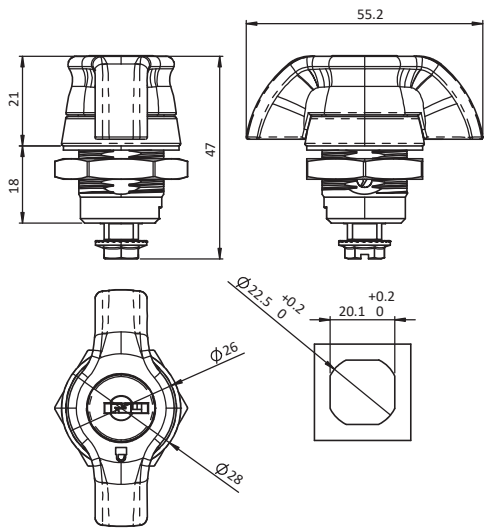
SMALL WING KNOB QUARTER TURN LOCKS

DESCRIPTION	For easy and secure latching and locking of doors and flaps. Wide range of inserts, cams, and accessories.
MATERIAL	Die-cast zinc
SURFACE	Black powder coated / chrome plated
SPECIALS	Right and left IP65 / NEMA 4



Small Wing Knob Quarter Turn Lock	H Dimension [mm]	Die-cast Zinc, black powder coated	Die-cast Zinc, chrome plated
Non-locking	7.5	0810177S03	0810175S01
	13.5	0810177S01	0810175
	19.5	0810177S04	0810175S02
Key locking	7.5	0810176S05	0810174S01
	13.5	0810176	0810174
	19.5	0810176S06	0810174S02

DESCRIPTION	For easy and secure latching and locking of doors and flaps. Wide range of inserts, cams, and accessories.
MATERIAL	Die-cast zinc
SURFACE	Black powder coated / chrome plated
SPECIALS	Right and left

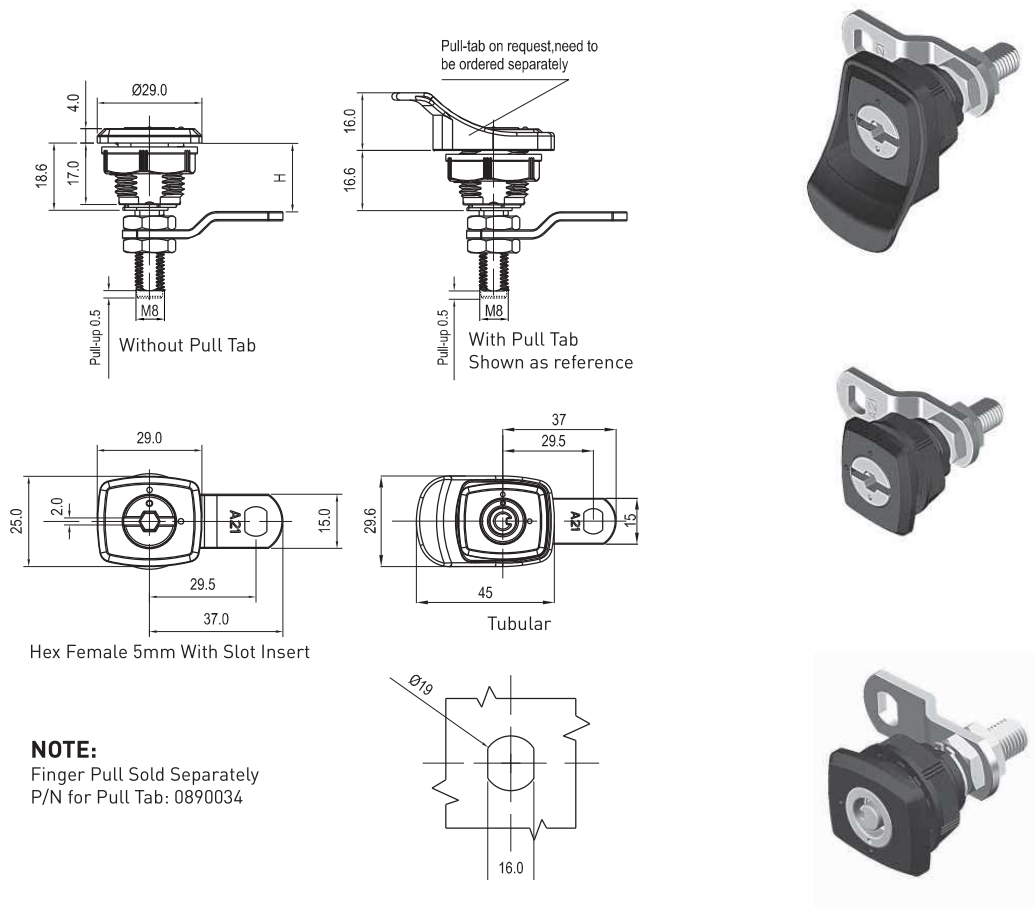


	Stainless Steel
FH333 LOCKING	0810168S03
NON LOCKING	0810169S03

Compatible cams see pages 47, 213-228
 Chapter 5 and 9 for accessories

VIBRATION RESISTANT QUARTER TURN LOCKS

DESCRIPTION	For easy and secure latching and locking of doors and flaps. Wide range of cams and accessories.
MATERIAL	Die-cast zinc Housing and pull: PA Cam: Mild Steel
SURFACE	Black powder coated / chrome plated Cam: Zinc plated
SPECIALS	Right and left



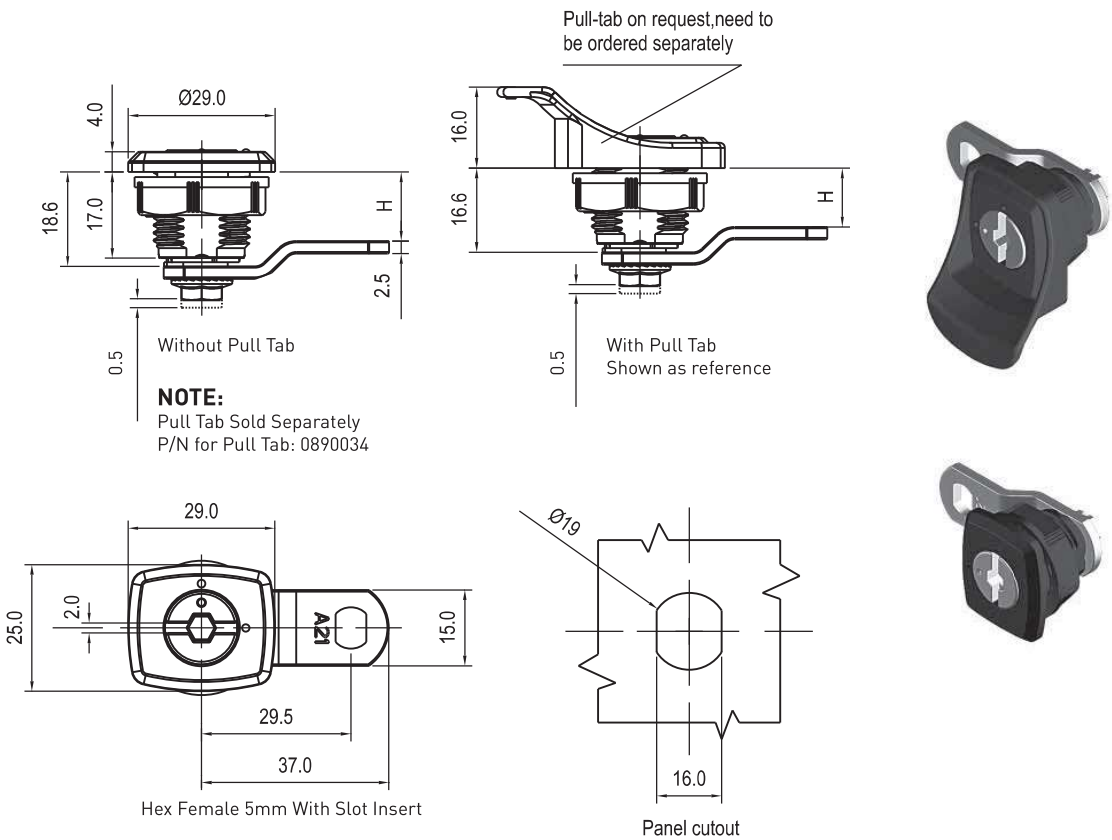
NOTE:
 Finger Pull Sold Separately
 P/N for Pull Tab: 0890034



		Grip Range MIN – MAX					
Shaft Style	Cylinder Style	without Pull Tab		with Pull Tab		Part #	
		Cam forward	Cam reversed	Cam forward	Cam reversed		
Long Shaft	Hex female 5mm with slot insert	19-28	29-38	17-26	37-36	0811025	
		14-23	34-43	17-21	32-34	0811026	
		9-18	39-48	7-16	37-46	0811027	
			24-33 Flat Cam		22-31 Flat Cam		0811028
	Tubular	19-28	29-38	17-26	37-36	0810708	
		14-23	34-43	17-21	32-34	0850204	
9-18		39-48	7-16	37-46	0850205		
		24-33		22-31		0850206	

VIBRATION RESISTANT QUARTER TURN LOCKS

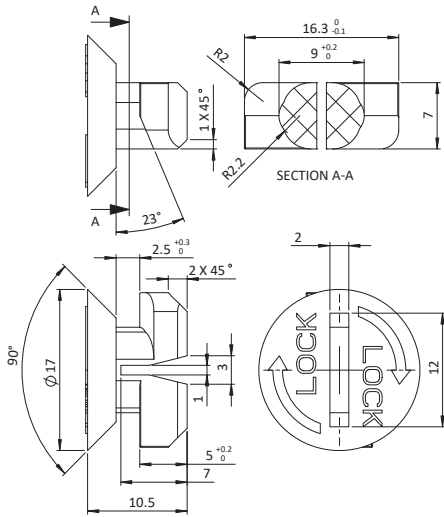
DESCRIPTION	For easy and secure latching and locking of doors and flaps. Wide range of cams and accessories.
MATERIAL	Die-cast zinc Housing and pull: PA Cam: Mild Steel
SURFACE	Black powder coated / chrome plated Cam: Zinc plated
SPECIALS	Right and left



		Grip Range MIN – MAX				
		without Pull Tab		with Pull Tab		
Shaft Style	Cylinder Style	Cam forward	Cam reversed	Cam forward	Cam reversed	Part #
Short Shaft	Hex female 5mm with slot insert	13.6	23.6	11.6	21.6	0811029
		8.6	28.6	6.6	26.6	0811030
		3.6	33.6	1.6	31.6	0811031
		18.6		22-31		0811032

ECONOMICAL QUARTER TURNS

DESCRIPTION	For easy and secure latching and locking of doors and flaps. Wide range of inserts, cams, and accessories.
MATERIAL	Hostaform POM C13021 Color RAL 7042 Gray
SPECIALS	Right and left



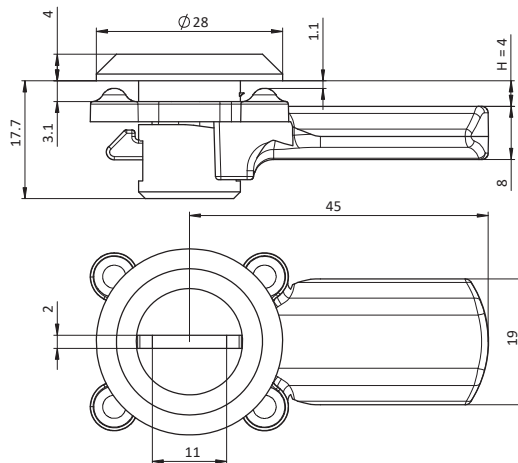
Drive Style

2 x 12 Slot

Part #

0810534CP01

DESCRIPTION	For easy and secure latching and locking of doors and flaps. Wide range of inserts, cams, and accessories.
MATERIAL	Housing: PA6 30 Cam: Zinc plated spring steel
SPECIALS	Right and left IP65 / NEMA 4



Other H dimensions available upon request

- Tool-less installation
- 90 Degree stop



Drive Style

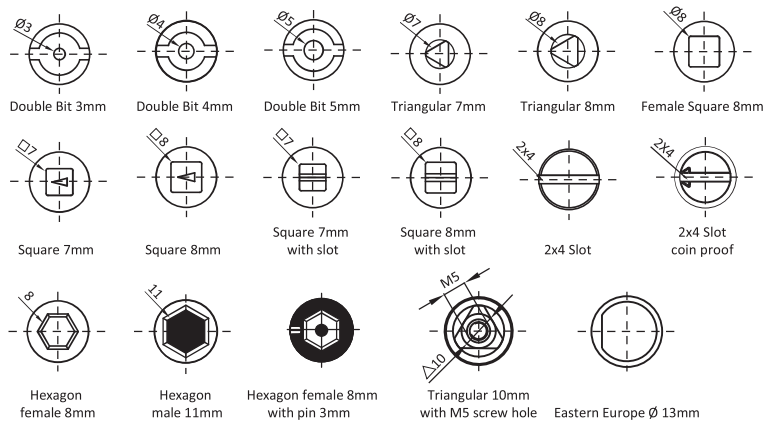
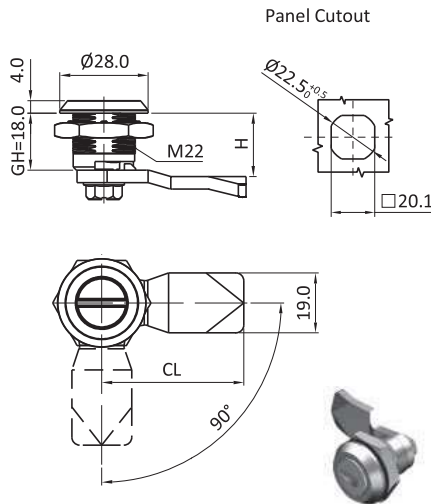
2 x 16 Slot

Part #

0814601-04

QUARTER TURN LOCK INDUSTRY STANDARD

DESCRIPTION	For easy and secure latching and locking of doors and flaps. Wide range of inserts, cams, and accessories.
MATERIAL	Die-cast zinc / 304 stainless steel / PA
SURFACE	Black powder coated / chrome plated
SPECIALS	Right and left IP65 / NEMA 4



INDUSTRY STANDARD

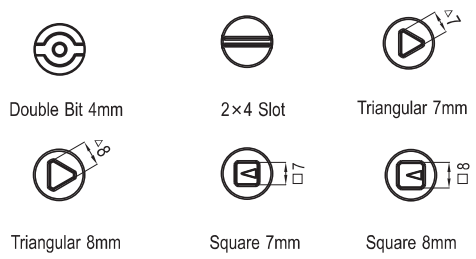
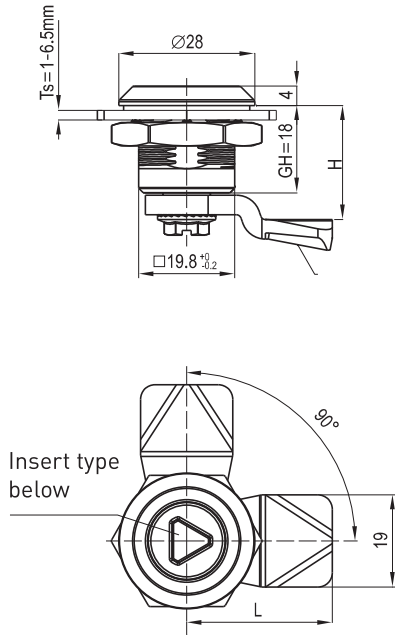
Insert Type	Die-cast Zinc, black powder coated	Die-cast Zinc, chrome plated	PA Housing with Die-cast Zinc Insert	SS 316
Double bit 3mm	0810142	0810124	0810534	0810159
Double bit 4mm	0810143	0810125	0810535	0810160
Double bit 5mm	0810144	0810126	0810536	0810161
Slot 2 x 4	0810145	0810127	0810537	0810127E
Slot 2 x 4 Coin Proof	0810145S01	0810145S02	0810538	
Triangular 7mm	0810146	0810128	0810539	0810162
Triangular 8mm	0810147	0810129	0810540	0810163
Square 6mm	0810554	0810555	0810541	
Square 7mm	0810148	0810130	0810542	0810164
Square 8mm	0810149	0810131	0810543	0810165
Square with slot 7mm	0810150	0810132	0810544	
Square with slot 8mm	0810151	0810133	0810545	
Female square 7mm	0810152	0810134	0810546	
Female hexagon 8mm	0810153	0810135	0810547	
Female hexagon 9mm	0810153S01	0810135S01	0810548	
Female hexagon 10mm	0810561	0810560	0810549	
Female hexagon 8mm with 3 mm pin	0810154	0810136	0810550	
Male hexagon 11mm	0810155	0810137	0810551	
Eastern Europe 13mm	0810556	0810557	0810552	
Triangular with M5 Screw Hole 10mm	0810558	0810559	0810553	
Keyed FH333	0810141	0810123		0810123E

Compatible cams see pages 47, 213-228
 Chapter 5 and 9 for accessories

Custom Quarter Turns Available

QUARTER TURN LOCKS VIBRATION RESISTANT

DESCRIPTION	For easy and secure latching and locking of doors and flaps. Wide range of inserts, cams, and accessories.
MATERIAL	Die-cast zinc
SURFACE	Black powder coated / chrome plated
SPECIALS	Right and left IP65 / NEMA 4

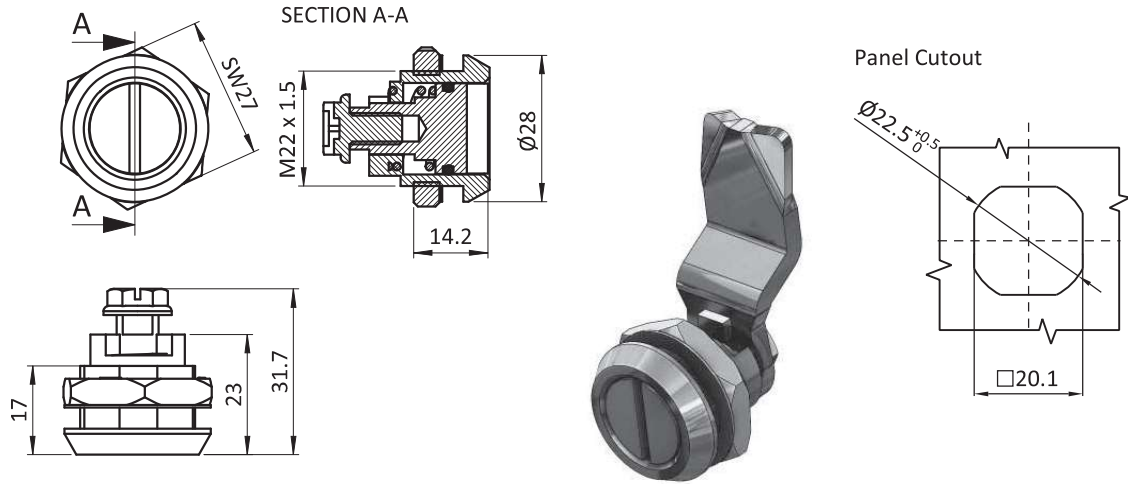


Insert Type	Die-cast Zinc, black powder coated	Die-cast Zinc, chrome plated
Double Bit 4mm	0850207	0850213
Slot 2mm x 4mm	0850208	0850214
Triangular 7mm	0850209	0850215
Triangular 8mm	0850210	0850216
Square 7mm	0850211	0850217
Square 8mm	0850212	0850218

Compatible cams see pages 47, 213-228
 Chapter 5 and 9 for accessories

SPRING STYLE QUARTER TURN LOCKS

DESCRIPTION	For easy and secure latching and locking of doors and flaps. Wide range of cams and accessories.
MATERIAL	316 SS



Spring Style Quarter Turn Locks

2 x 4 slot

Stainless Steel

0810127E01

HYGIENIC QUARTER TURN LOCKS

DESCRIPTION	For easy and secure latching and locking of doors and flaps. Wide range of cams and accessories.
MATERIAL	316 SS

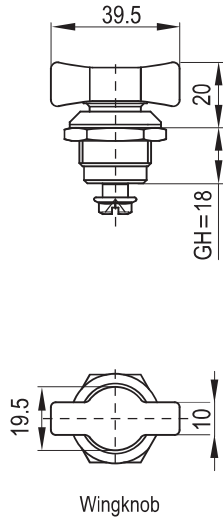


SW13 INSERT

Stainless Steel

0812150E

WING KNOB QUARTER TURN LOCKS



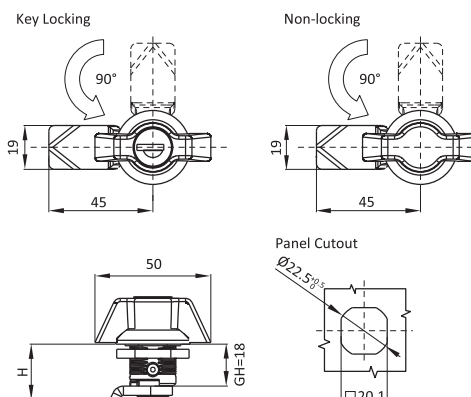
DESCRIPTION	For easy and secure latching and locking of doors and flaps. Wide range of inserts, cams, and accessories.
MATERIAL	Die-cast zinc Cam: Mild steel
SURFACE	Black powder coated / chrome plated Cam: Zinc plated
SPECIALS	Right and left



Quarter Turn Locks	Wing knob	Die-cast Zinc, black powder coated	Die-cast Zinc, chrome plated
		0810156	0810138

Compatible cams see pages 47, 213-228
 Chapter 5 and 9 for accessories

WING KNOB QUARTER TURN LOCKS



DESCRIPTION	For easy and secure latching and locking of doors and flaps. Wide range of inserts, cams, and accessories.
MATERIAL	Die-cast zinc / 316 SS
SURFACE	Black powder coated / chrome plated
SPECIALS	Right and left Keyed different on request FH751 Key code on request

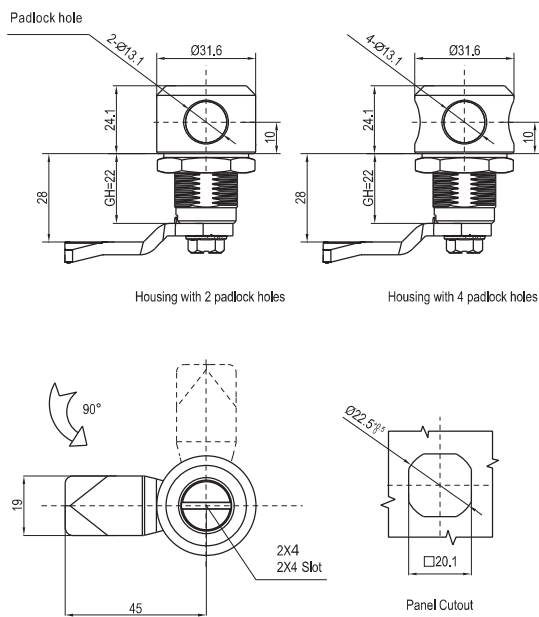


Wing Knob Quarter Turn Locks	Die-cast Zinc, black powder coated	Die-cast Zinc, chrome plated	316 SS
FH333 Key locking	0810168	0810166	0810166E
Non-locking	0810169	0810167	0810167E

Compatible cams see pages 47, 213-228
 Chapter 5 and 9 for accessories

PAD LOCK COMPATIBLE QUARTER TURN LOCKS

DESCRIPTION	For easy and secure latching and locking of doors and flaps with padlock option. Wide range of inserts, cams, and accessories. Two and four padlock holes.
MATERIAL	Die-cast zinc / stainless steel
SURFACE	Black powder coated
SPECIALS	Right and left

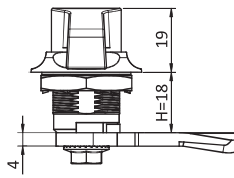
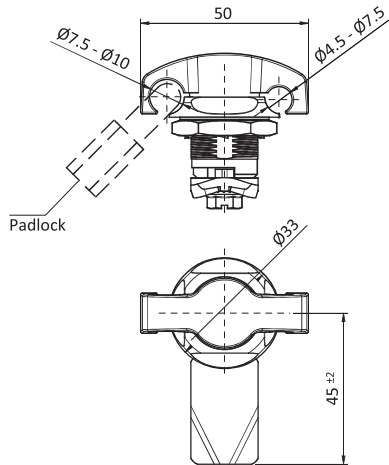


Pad Lock Compatible Quarter Turn Locks	Insert Type	GH = 22	GH = 22
		Die-cast Zinc black powder coated	Full 316 SS
Housing with two padlock holes	Double bit 3mm	0810571	0810579
	Double bit 4mm	0810572	0810580
	Double bit 5mm	0810573	0810581
	Slot 2 X 4	0810574	0810582
	Triangular 7mm	0810575	0810583
	Triangular 8mm	0810576	0810584
	Square 7mm	0810577	0810585
	Square 8mm	0810578	0810586
Housing with four padlock holes	Double bit 3mm	0812142	0812142E
	Double bit 4mm	0812143	0812143E
	Double bit 5mm	0812144	0812144E
	Slot 2 X 4	0812145	0812145E
	Triangular 7mm	0812146	0812146E
	Triangular 8mm	0812147	0812147E
	Square 7mm	0812148	0812148E
Square 8mm	0812149	0812149E	

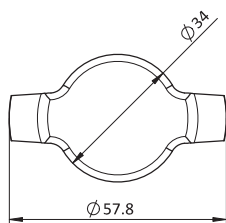
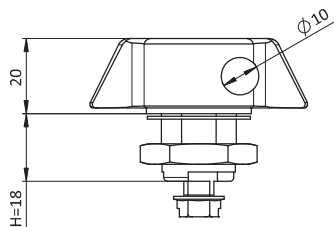
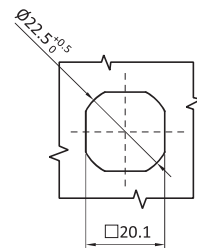
Compatible cams see pages 47, 213-228
 Chapter 5 and 9 for accessories

PAD LOCK COMPATIBLE QUARTER TURN LOCKS

DESCRIPTION	For easy and secure latching and locking of doors and flaps. Wide range of cams and accessories.
MATERIAL	Die-cast zinc / stainless steel
SURFACE	Black powder coated / chrome plated
SPECIALS	Right and left IP65 / NEMA 4



Panel Cutout

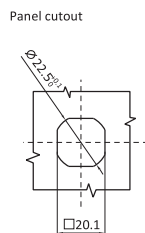
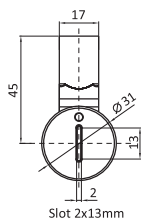
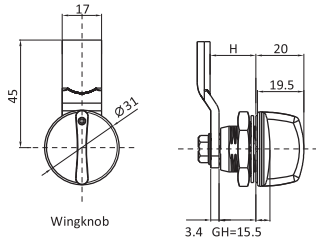


	Die-cast Zinc, black powder coated	Die-cast Zinc, chrome plated	Stainless steel
Dual Padlock Hole	0810182	0810376	0810182E
Single Padlock Hole	0810182S01		

Compatible cams see pages 47, 213-228
 Chapter 5 and 9 for accessories

LOW PROFILE QUARTER TURN LOCKS

DESCRIPTION	For easy and secure latching and locking of doors and flaps. Wide range of cams and accessories.
MATERIAL	Die-cast zinc Cam: Mild steel
SURFACE	Black powder coated / chrome plated Cam: Zinc plated
SPECIALS	Right and left IP65 / NEMA 4

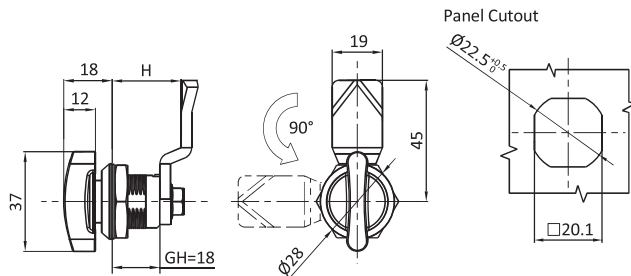


Insert Type	Die-cast Zinc, black powder coated	Die-cast Zinc, chrome plated
Short Wing Knob	0811017	0811020
Long Wing Knob	0811018	0811021
Slot 2 x 4	0811019	0811022

Compatible cams see pages 47, 213-228
 Chapter 5 and 9 for accessories

WING KNOB QUARTER TURN LOCKS

DESCRIPTION	For easy and secure latching and locking of doors and flaps. Wide range of cams and accessories.
MATERIAL	Die-cast zinc/316 SS
SURFACE	Black powder coated / chrome plated
SPECIALS	Right and Left IP65 / NEMA 4

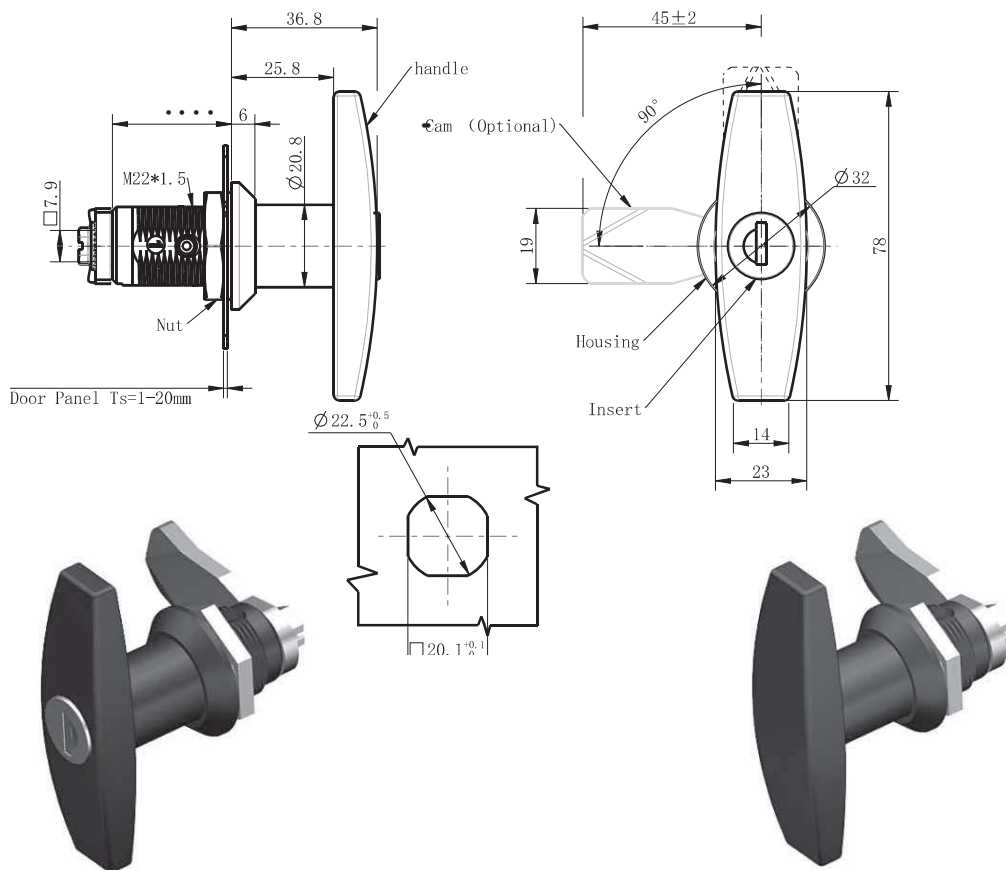


Insert Type	Die-cast Zinc, black powder coated	Die-cast Zinc, chrome plated
Small wing	0810725	0810726

Compatible cams see pages 47, 213-228
 Chapter 5 and 9 for accessories

T-HANDLE QUARTER TURN LOCKS

DESCRIPTION	For easy and secure latching and locking of doors and flaps. Wide range of inserts, cams, and accessories.
MATERIAL	Die-cast zinc / stainless steel / PA
SURFACE	Black powder coated / chrome plated
SPECIALS	Right and left IP65 / NEMA 4

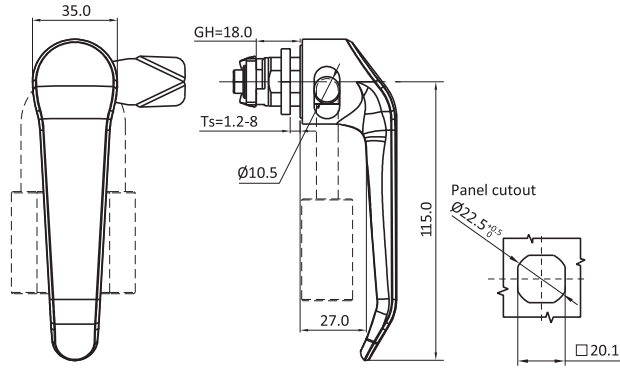


T-Handle Quarter Turn Locks	GH	Die-cast Zinc, black powder coated	Die-cast Zinc, chrome plated	PA	316 Stainless Steel
Key locking	18	0810103	0810105	0810002	0810105E
Non-locking		0810104	0810106	0810001	0810107
Phillips Insert		0810103S01			
Key locking	30	0810103S02	0810105S01		
Non-locking		0810104S01	0810106S02		
Key locking	40	0810103S05			
Non-locking		0810104S04			
Key locking	50	0810103S03	0810105S02		
Non-locking		0810104S02	0810106S03		
Key locking	60	0810103S04	0810105S03		
Non-locking		0810104S03	0810106S04		

Compatible cams see pages 47, 213-228
 Chapter 5 and 9 for accessories
 Keyed differently on request
 FH751 key code on request

L - HANDLE LOCK

DESCRIPTION	For easy and secure latching and locking of doors and flaps. Wide range of cams and accessories.
MATERIAL	316 SS, Die Cast zinc
SPECIALS	Pad lock compatible



Quarter Turn Locks

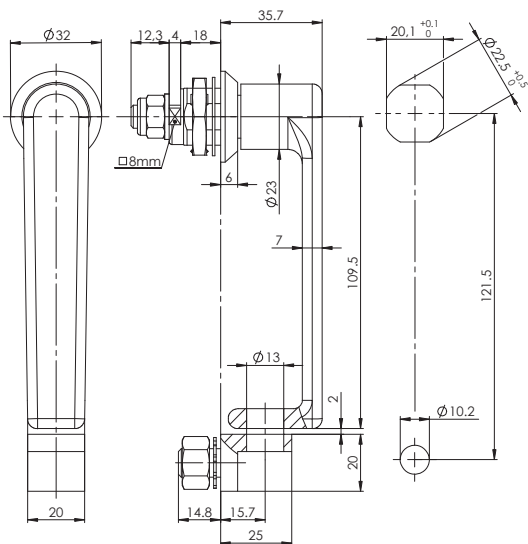
Die cast Zinc/Black Powder coat

316 Stainless Steel

0811038S01

0811038

DESCRIPTION	For easy and secure latching and locking of doors and flaps. Wide range of cams and accessories.
MATERIAL	316 SS, Die Cast zinc
SPECIALS	Pad lock compatible



Quarter Turn Locks

Die cast Zinc/Black Powder coat

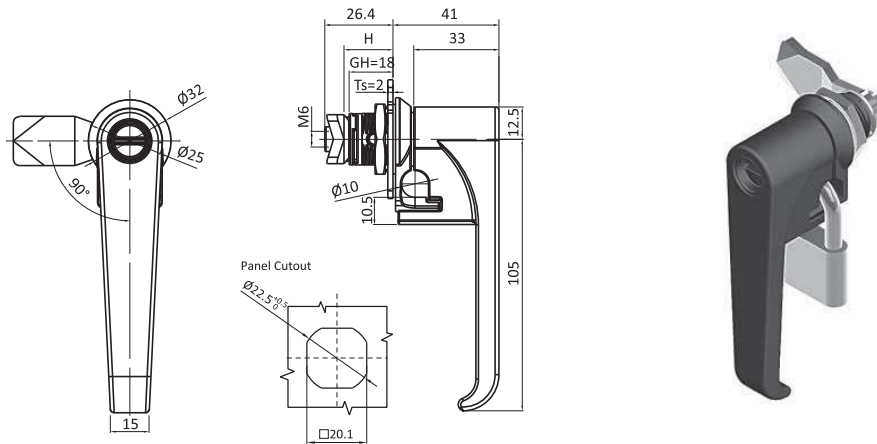
316 Stainless Steel

0810393

0810393E

PAD LOCK COMPATIBLE L-HANDLE QUARTER TURN LOCKS

DESCRIPTION	For easy and secure latching and locking of doors and flaps. Wide range of inserts, cams, and accessories.
MATERIAL	Die-cast zinc
SURFACE	Black powder coated / chrome plated
SPECIALS	Right and left

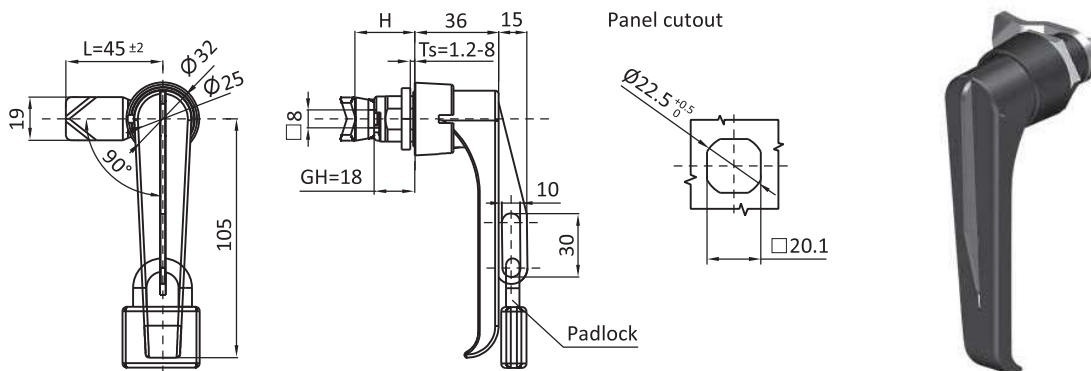


Pad Lock Compatible L-Handle Quarter Turn Locks	Die-cast Zinc, black powder coated	Die-cast Zinc, chrome plated
2 x 4 coin proof	0810114S03	0810437
Non-locking	0810114S04	0810438

Compatible cams see pages 47, 213-228
 Chapter 5 and 9 for accessories

L-HANDLE QUARTER TURN LOCKS

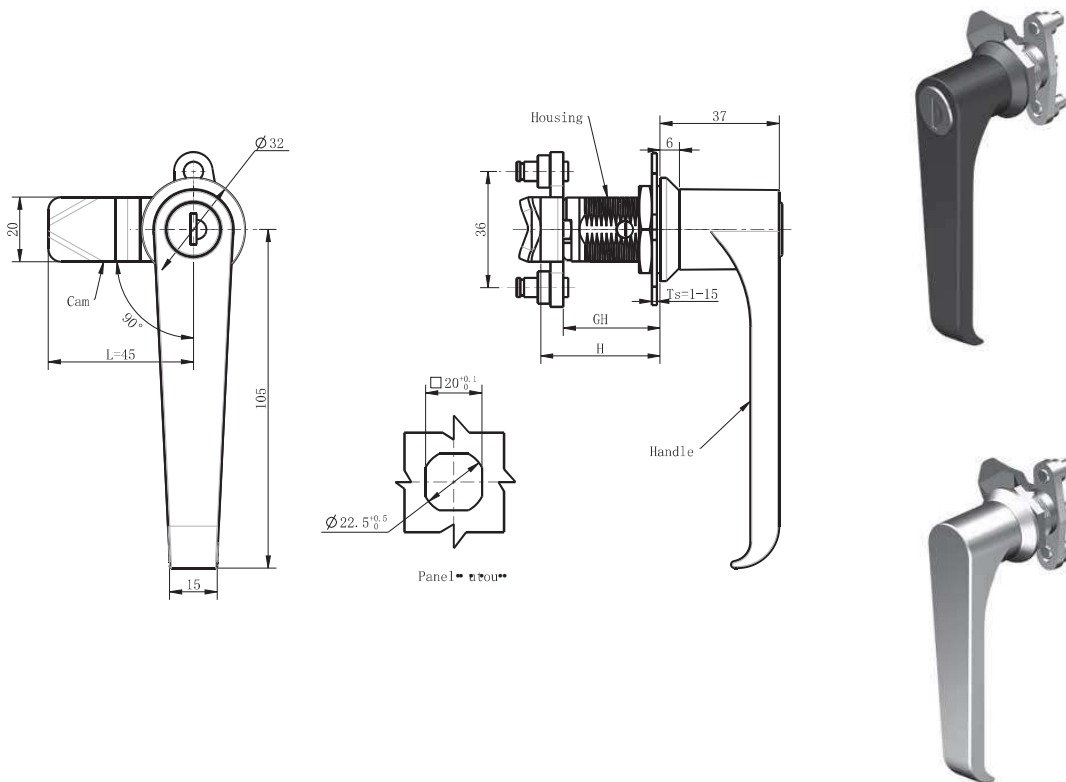
DESCRIPTION	For easy and secure latching and locking of doors and flaps. Wide range of inserts, cams, and accessories.
MATERIAL	Die-cast zinc
SURFACE	Black powder coated / chrome plated
SPECIALS	Right and left



L-Handle Quarter Turn Locks	Die-cast Zinc, black powder coated	Die-cast Zinc, chrome plated
	0810117	0810118

L-HANDLE QUARTER TURN LOCKS

DESCRIPTION	For easy and secure latching and locking of doors and flaps. Wide range of inserts, cams, and accessories.
MATERIAL	Die-cast zinc / stainless steel
SURFACE	Black powder coated / chrome plated
SPECIALS	Right and left IP65 / NEMA 4



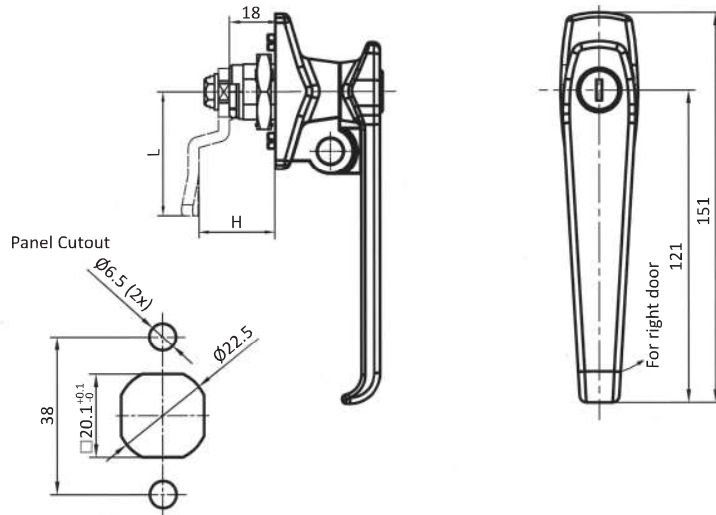
L-Handle Quarter Turn Locks	GH	Die-cast Zinc, black powder coated	Die-cast Zinc, chrome plated	Stainless Steel
FH333 Key locking	18	0810112	0810114	0810114E
Non-locking		0810113	0810115	0810116
FH333 Key locking	30	0810112GL30	0810114GL30	
Non-locking		0810113GL30	0810115GL30	
FH333 Key locking	50	0810112GL50	0810114GL50	
Non-locking		0810113GL50	0810115GL50	
FH333 Key locking	60	0810112GL60		
Non-locking		0810113GL60		

Compatible cams see pages 47, 213-228
 Chapter 5 and 9 for accessories
 Keyed differently on request
 CH751 key code on request



PAD LOCK COMPATIBLE L-HANDLE QUARTER TURN LOCKS

DESCRIPTION	For easy and secure latching and locking of doors and flaps. Wide range of cams, and accessories.
MATERIAL	Die-cast zinc
SURFACE	Black powder coated / chrome plated

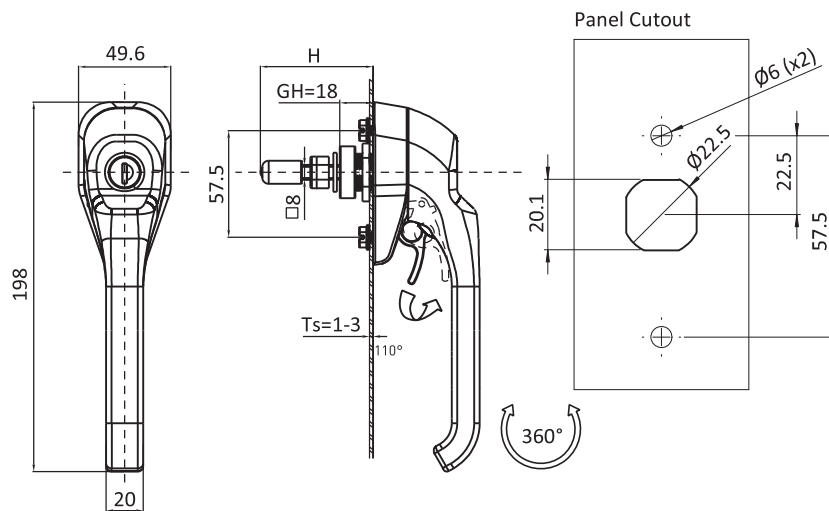


Pad Lock Compatible L-Handle Quarter Turn Locks	Die-cast Zinc, black powder coated	Die-cast Zinc, chrome plated
Key FH333	0810442	0810439
Key FH200	0810443	0810440
Non-locking	0810444	0810441

Compatible cams see pages 47, 213-228
 Chapter 5 and 9 for accessories

L-HANDLE QUARTER TURN LOCK WITH DEFEATER FUNCTION

DESCRIPTION	For easy and secure latching and locking of doors and flaps. Two stage unlocking, turn key and then trigger pull. Wide range of inserts, cams, and accessories.
MATERIAL	Die-cast zinc, stainless steel
SURFACE	Black powder coated / chrome plated
SPECIALS	Right and Left Pad lock compatible

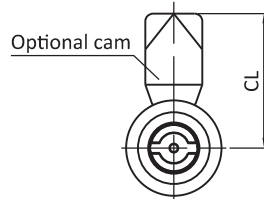
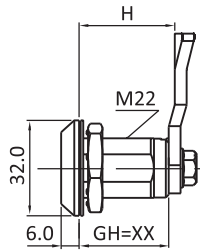


L-Handle Quarter Turn Lock with Defeater Function	Die-cast Zinc, black powder coated	316 SS	Handle: PA6 30 Housing: Die Cast Zinc - Black
Key locking (FH333)	0810112S01	0810112S02	
Key Locking (FH333) with no defeater	0810112S03		
Non-locking	0810113S01	0810116ES02	0810113S03
2 x 4 Slot	0810117S01	0810117S01E	0810117S02

Compatible cams see pages 47, 213-228

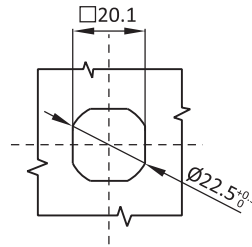
QUARTER TURN LOCKS EXTENDED HOUSING

DESCRIPTION	For easy and secure latching and locking of doors and flaps with padlock option. Wide range of inserts, cams, and accessories. Two and four padlock holes.
MATERIAL	Die-cast zinc / stainless steel
SURFACE	Black powder coated / Chrome plated
SPECIALS	Right and left

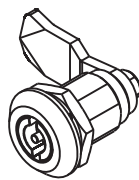


Cam Shown As Reference

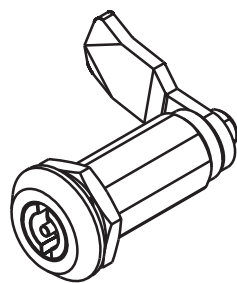
Panel cutout



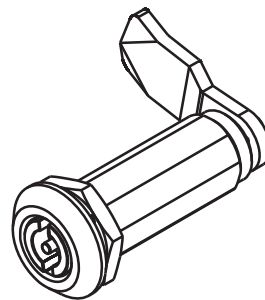
GH=18



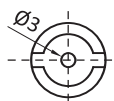
GH=30



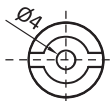
GH=50



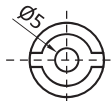
GH=60



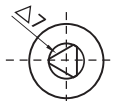
Double Bit 3mm



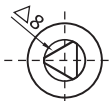
Double Bit 4mm



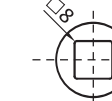
Double Bit 5mm



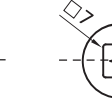
Triangular 7mm



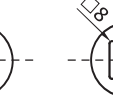
Triangular 8mm



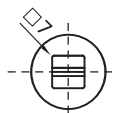
Female Square 8mm



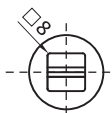
Square 7mm



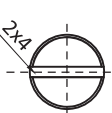
Square 8mm



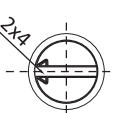
Square 7mm with slot



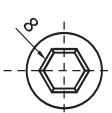
Square 8mm with slot



2x4 Slot



2x4 Slot coin proof



Hexagon female 8mm



Hexagon male 10mm



Hexagon female 8mm with pin 3mm



Triangular 10mm with M5 screwhole



Quarter Turn Locks	Cylinder type	Die-cast Zinc, black powder coated	Die-cast Zinc, chrome plated	PA Housing and die cast insert	Full 316 SS
Housing GH = 30	Double bit 3mm	0810733	0810734	0810735	0810736
	Double bit 4mm	0810741	0810742	0810743	0810744
	Double bit 5mm	0810749	0810750	0810751	0810752
	Slot 2 x 4	0810757	0810758	0810759	0810760
	Slot 2 x 4 coin proof	0810765	0810766	0810767	0810768
	Triangular 7mm	0810773	0810774	0810775	0810776
	Triangular 8mm	0810781	0810782	0810783	0810784
	Square 7mm	0810789	0810790	0810791	0810792
	Square 8mm	0810797	0810798	0810799	0810800
	Square 7mm with slot	0810805	0810806	0810807	0810808
	Square 8mm with slot	0810813	0810814	0810815	0810816
	Square 8mm female	0810821	0810822	0810823	0810824
	Hexagon 8mm female	0810829	0810830	0810831	0810832
	Hexagon 9mm female	0810837	0810838	0810839	0810840
	Hexagon 8mm female with 3mm pin	0810845	0810846	0810847	0810848
	Hexagon male 10mm	0810853	0810854	0810855	0810856
Triangular 10mm with M5 screw hole	0810861	0810862	0810863	0810864	
Housing GH = 36	Double bit 3mm	0810865	0810866	0810867	0810868
	Double bit 4mm	0810873	0810874	0810875	0810876
	Double bit 5mm	0810881	0810882	0810883	0810884
	Slot 2 x 4	0810889	0810890	0810891	0810892
	Slot 2 x 4 coin proof	0810897	0810898	0810899	0810900
	Triangular 7mm	0810905	0810906	0810907	0810908
	Triangular 8mm	0810913	0810914	0810915	0810916
	Square 7mm	0810921	0810922	0810923	0810924
	Square 8mm	0810929	0810930	0810931	0810932
	Square 7mm with slot	0810937	0810938	0810939	0810940
	Square 8mm with slot	0810945	0810946	0810947	0810948
	Square 8mm female	0810953	0810954	0810955	0810956
	Hexagon 8mm female	0810961	0810962	0810963	0810964
	Hexagon 9mm female	0810969	0810970	0810971	0810972
	Hexagon 8mm female with 3mm pin	0810977	0810978	0810979	0810980
	Hexagon male 10mm	0810985	0810986	0810987	0810988
Triangular 10mm with M5 screw hole	0810993	0810994	0810995	0810996	
Housing GH = 40	Double bit 3mm	0810869	0810870	0810871	0810872
	Double bit 4mm	0810877	0810878	0810879	0810880
	Double bit 5mm	0810885	0810886	0810887	0810888
	Slot 2 x 4	0810893	0810894	0810895	0810896
	Slot 2 x 4 coin proof	0810901	0810902	0810903	0810904
	Triangular 7mm	0810909	0810910	0810911	0810912
	Triangular 8mm	0810917	0810918	0810919	0810920
	Square 7mm	0810925	0810926	0810927	0810928
	Square 8mm	0810933	0810934	0810935	0810936
	Square 7mm with slot	0810941	0810942	0810943	0810944
	Square 8mm with slot	0810949	0810950	0810951	0810952
	Square 8mm female	0810957	0810958	0810959	0810960
	Hexagon 8mm female	0810965	0810966	0810967	0810968
	Hexagon 9mm female	0810973	0810974	0810975	0810976
	Hexagon 8mm female with 3mm pin	0810981	0810982	0810983	0810984
	Hexagon male 10mm	0810989	0810990	0810991	0810992
Triangular 10mm with M5 screw hole	0810997	0810998	0810999	08101000	

Compatible cams see pages 47, 213-228
 Chapter 5 and 9 for accessories

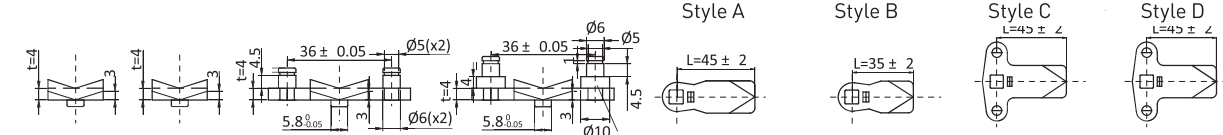
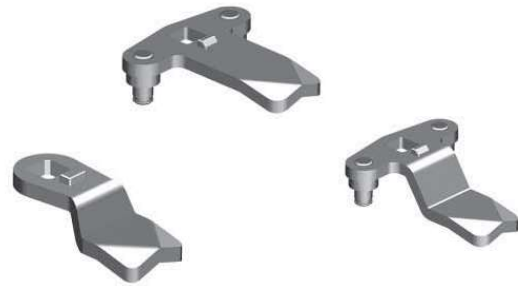
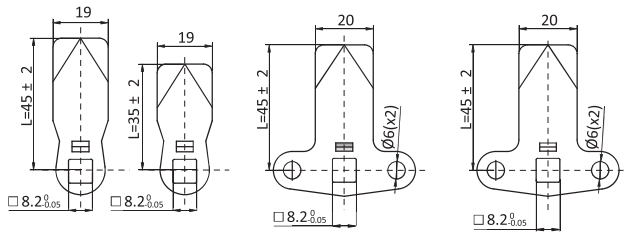
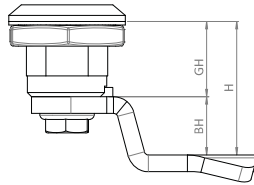
QUARTER TURN LOCKS

Quarter Turn Locks	Cylinder Type	Die-cast Zinc, black powder coated	Die-cast Zinc, chrome plated
Housing GH = 50	Double bit 3mm	0850043	0850044
	Double bit 4mm	0850047	0850048
	Double bit 5mm	0850051	0850052
	Slot 2 x 4	0850055	0850056
	Slot 2 x 4 coin proof	0850059	0850060
	Triangular 7mm	0850063	0850064
	Triangular 8mm	0850067	0850068
	Square 7mm	0850071	0850072
	Square 8mm	0850075	0850076
	Square 7mm with slot	0850079	0850080
	Square 8mm with slot	0850083	0850084
	Square 8mm female	0850087	0850088
	Hexagon 8mm female	0850091	0850092
	Hexagon 9mm female	0850095	0850096
	Hexagon 8mm female with 3mm pin	0850099	0850100
Hexagon male 10mm	0850103	0850104	
Triangular 10mm with M5 screw hole	0850107	0850108	
Housing GH = 60	Double bit 3mm	0890005	0850046
	Double bit 4mm	0850049	0850050
	Double bit 5mm	0850053	0850054
	Slot 2 x 4	0810400	0850058
	Slot 2 x 4 coin proof	0850061	0850062
	Triangular 7mm	0850065	0850066
	Triangular 8mm	0850069	0850070
	Square 7mm	0850073	0850074
	Square 8mm	0850077	0850078
	Square 7mm with slot	0850081	0850082
	Square 8mm with slot	0850085	0850086
	Square 8mm female	0850089	0850090
	Hexagon 8mm female	0850093	0850094
	Hexagon 9mm female	0850097	0850098
	Hexagon 8mm female with 3mm pin	0850101	0850102
Hexagon male 10mm	0850105	0850106	
Triangular 10mm with M5 screw hole	0850109	0850110	

Compatible cams see pages 47, 213-228
 Chapter 5 and 9 for accessories

STANDARD QUARTER TURN CAMS

DESCRIPTION	Standard cams for standard quarter turns. Contains 3mm ramps. Cam contains a stop for quarter turns that do not have internal restraints.
MATERIAL	Mild steel
SURFACE	Zinc plated
SPECIALS	Other materials and custom cams on request



Stainless Steel available on request

	BH	GH = 18 Standard	GH = 30	GH = 36	GH = 40	GH = 50	GH = 60	Style A	Style B	Style C	Style D
H = GH + BH	-16	2	14	20	24	34	44	0810247			
	-14	4	16	22	26	36	46	0810248		0810295	0810321
	-12	6	18	24	28	38	48	0810249	0810276	0810296	0810322
	-10	8	20	26	30	40	50	0810250	0810277	0810297	0810323
	-8	10	22	28	32	42	52	0810251	0810278	0810298	0810324
	-5	13	25	31	35	45	55	0810252	0810279	0810299	0810325
	-4	14	26	32	36	46	56	0810253	0810280	0810300	0810326
	-2	16	28	34	38	48	58	0810254	0810281	0810301	0810327
	0	18	30	36	40	50	60	0810255	0810282	0810302	0810328
	2	20	32	38	42	52	62	0810256	0810283	0810303	0810329
	4	22	34	40	44	54	64	0810257	0810284	0810304	0810330
	6	24	36	42	46	56	66	0810258	0810285	0810305	0810331
	7	25	37	43	47	57	67	0810259	0810286	0810306	0810332
	8	26	38	44	48	58	68	0810260	0810287	0810307	0810333
	10	28	40	46	50	60	70	0810261	0810288	0810308	0810334
	12	30	42	48	52	62	72	0810262	0810289	0810309	0810335
	14	32	44	50	54	64	74	0810263		0810310	0810336
	16	34	46	52	56	66	76	0810264		0810311	0810337
	17	35	47	53	57	67	77	0810265	0810290	0810312	0810338
	18	36	48	54	58	68	78	0810266		0810313	0810339
	20	38	50	56	60	70	80	0810267	0810291	0810314	0810340
	22	40	52	58	62	72	82	0810268	0810292	0810315	0810341
	24	42	54	60	64	74	84	0810269	0810293	0810316	0810342
	26	44	56	62	66	76	86	0810270	0810294	0810317	0810343
	27	45	57	63	67	77	87	0810271		0810318	0810344
	29	47	59	65	69	79	89	0810272		0810319	0810345
	32	50	62	68	72	82	92	0810273		0810320	0810346
	35	53	65	71	75	85	95	0810274			
	37	55	67	73	77	87	97	0810275			