

# INDUSTRIAL HARDWARE

## CHAPTER 8: **CONCEALED HINGES**

QTL

COL

SLA

SWH

ASH

SFH

SCH

**COH**

ACC

GSK

HAN

HVA

CST

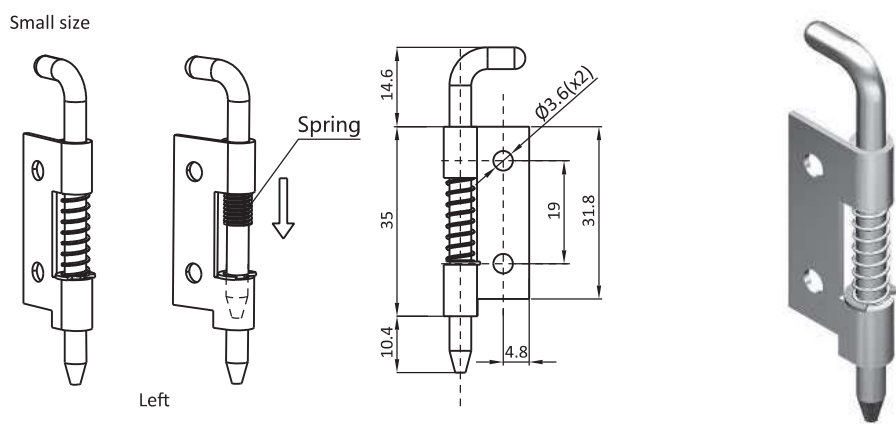
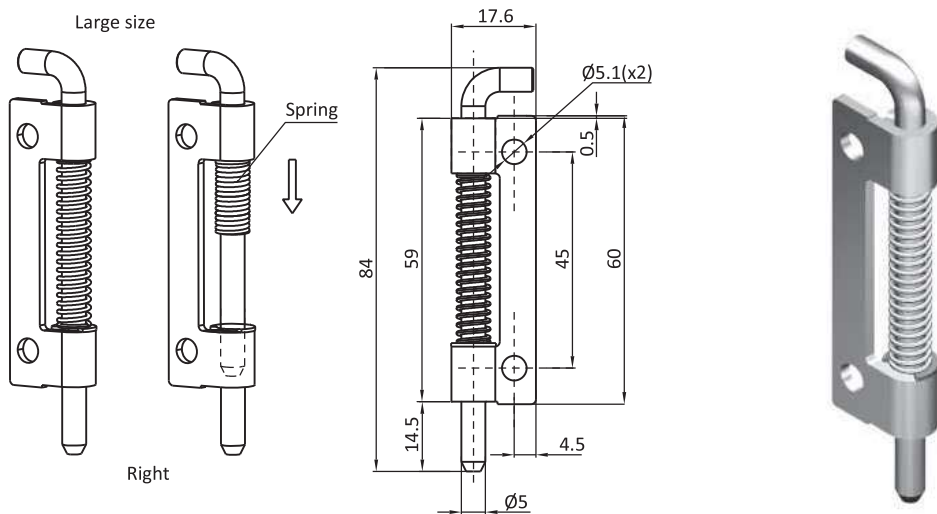


**SPRING LOADED CONCEALED HINGES**  
**CONCEALED HINGES**  
**LATCHING / CONCEALED HINGES**  
**CONCEALED HINGES**  
**WELD ON HINGES**

**200-201**  
**202-203**  
**204**  
**205-210**  
**211**

**SPRING LOADED CONCEALED HINGES**

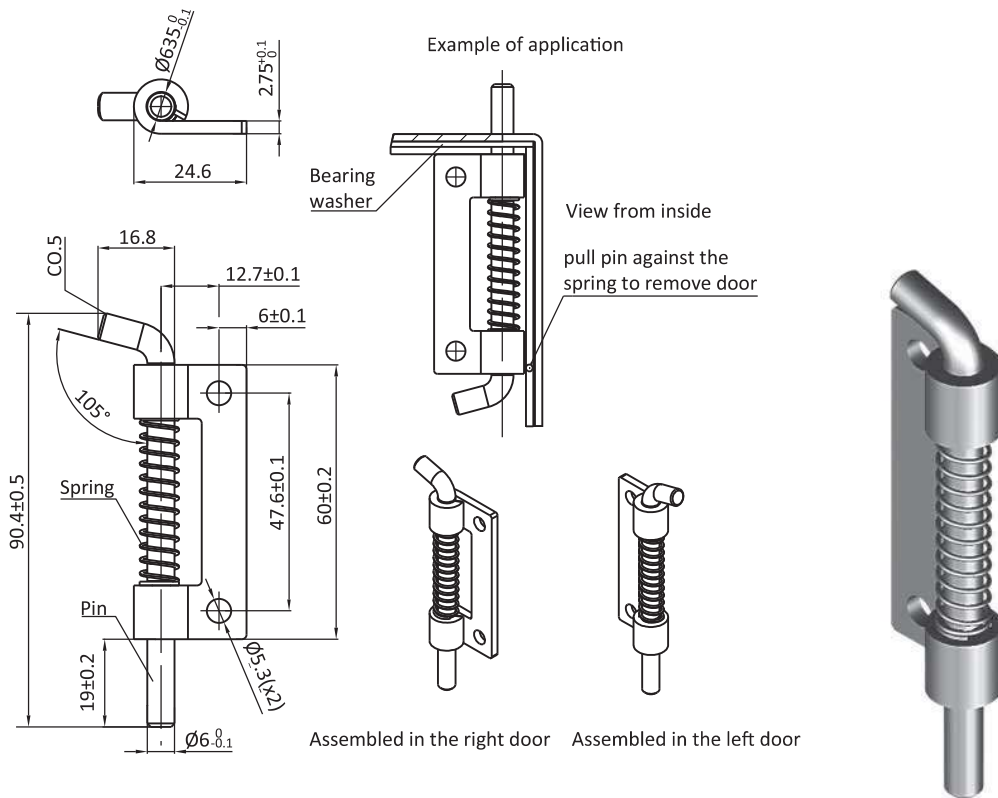
DESCRIPTION	To hinge panels
MATERIAL	Mild steel
SURFACE	Zinc plated
SPECIALS	Lift off Right and left Stainless Steel on request



Spring Loaded Concealed Hinges	Size	Left	Right
Screw on version	Large Size	<b>0840013</b>	<b>0813392</b>
	Small Size	<b>0840014</b>	<b>0813394</b>
Weld on version	Large Size	<b>0840015</b>	<b>0813393</b>
	Small Size	<b>0840016</b>	<b>0813395</b>

**SPRING LOADED CONCEALED HINGES**

DESCRIPTION	To hinge panels
MATERIAL	Mild steel / Stainless steel 304
SURFACE	Zinc plated
SPECIALS	Right and left Lift off

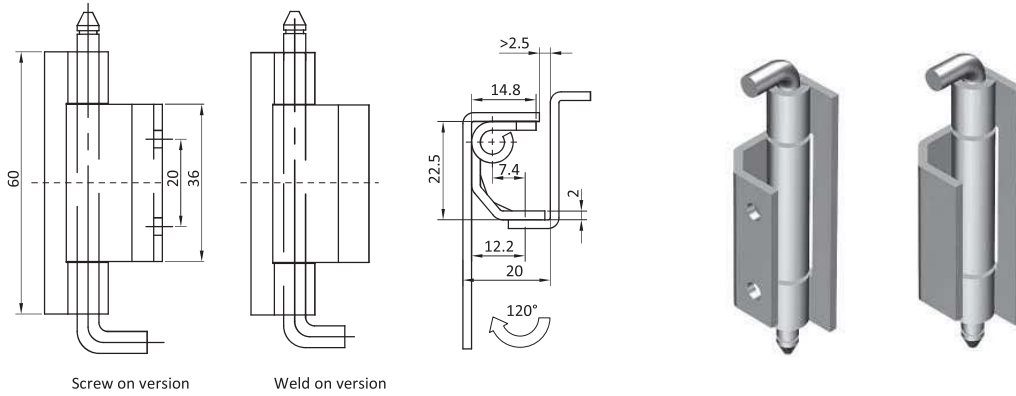


Spring loaded concealed hinges	Screw On	304 SS	Mild steel
left		<b>0813406</b>	<b>0840053</b>
right		<b>0813407</b>	<b>0840054</b>



**CONCEALED HINGES**

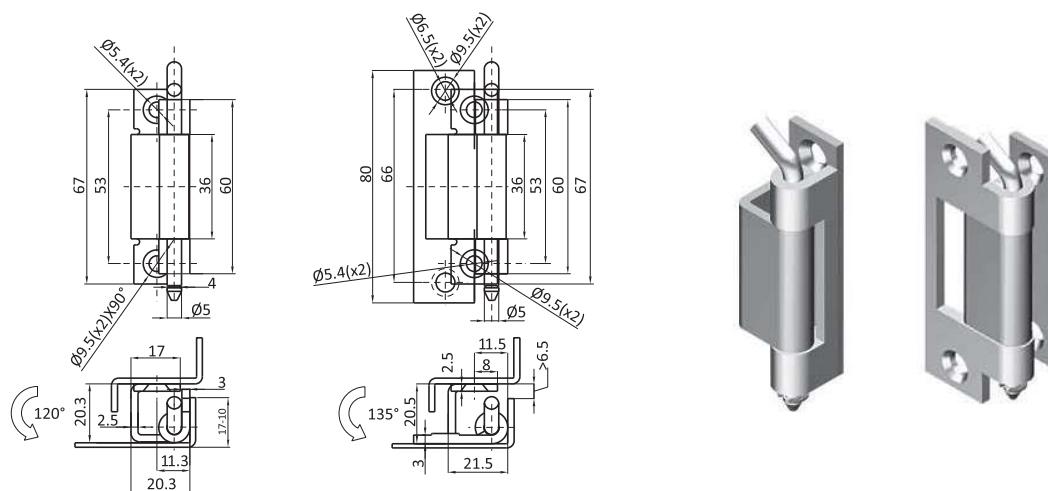
DESCRIPTION	To hinge panels
MATERIAL	Mild steel / Stainless steel 304
SURFACE	Zinc plated
SPECIALS	Right and left Lift off



Concealed Hinges	304 SS	Mild steel
Screw on	<b>0840038</b>	<b>0840040</b>
Weld on	<b>0840039</b>	<b>0840041</b>

**CONCEALED HINGES**

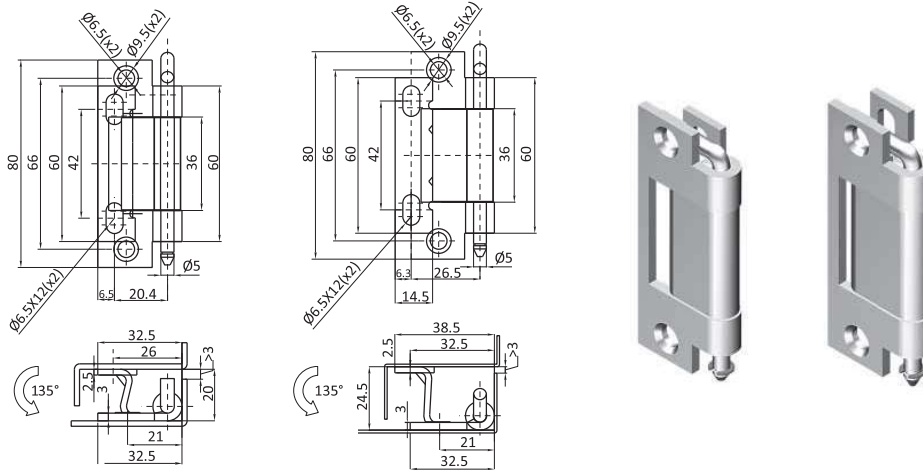
DESCRIPTION	To hinge panels
MATERIAL	Mild steel / Stainless steel 304
SURFACE	Zinc plated
SPECIALS	Right and left Lift off



Concealed Hinges	304 SS	Mild steel
20.3	<b>0840023</b>	<b>0840025</b>
21.5	<b>0840024</b>	<b>0840026</b>

**CONCEALED HINGES**

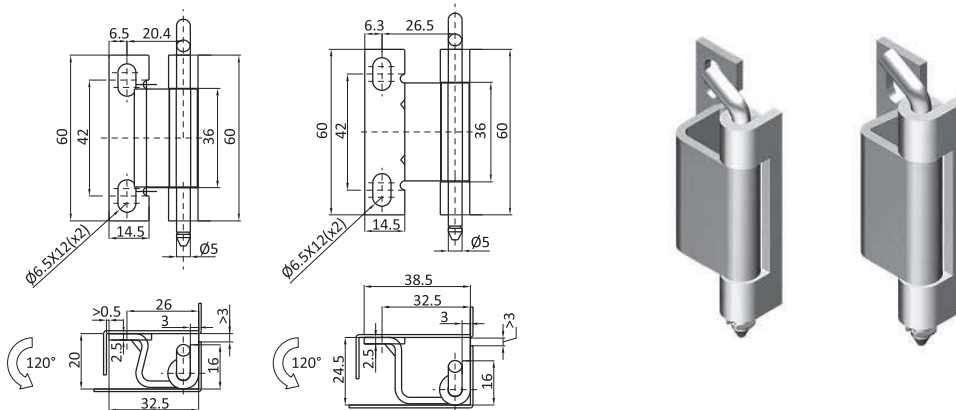
DESCRIPTION	To hinge panels
MATERIAL	Mild steel / Stainless steel 304
SURFACE	Zinc plated
SPECIALS	Right and left Lift off



Concealed Hinges	304 SS	Mild steel
Dim 20.0	<b>0840027</b>	<b>0840029</b>
Dim 24.5	<b>0840028</b>	<b>0840030</b>

**CONCEALED HINGES**

DESCRIPTION	To hinge panels
MATERIAL	Mild steel / Stainless steel 304
SURFACE	Zinc plated
SPECIALS	Right and left Lift off Weld on version

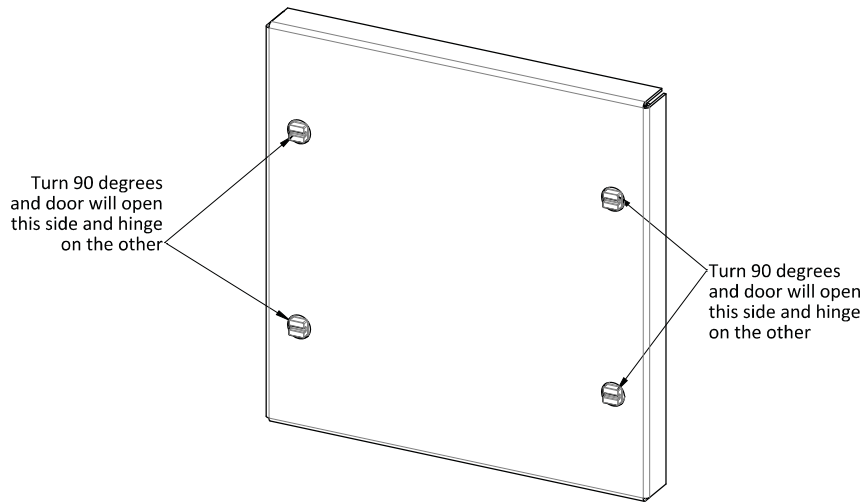
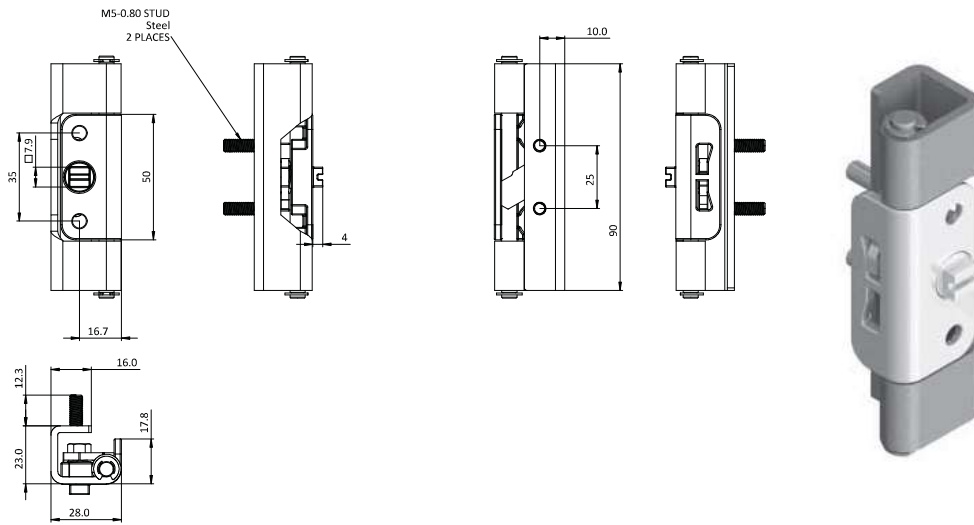


Concealed Hinges	304 SS	Mild steel
Dim 20.0	<b>0840019</b>	<b>0840021</b>
Dim 24.5	<b>0840020</b>	<b>0840022</b>



**LATCHING / CONCEALED HINGES**

DESCRIPTION	To hinge panels
MATERIAL	Frame component: Mild Steel Door component: Die-cast zinc Hinge pin: Mild steel
SURFACE	Hinge leaves: Zinc Plated Hinge pin: Zinc plated
SPECIALS	Right and left



DEVICE IS BOTH  
 HINGE AND LATCH

Concealed Hinges

Part Number

Left

0830199L

Right

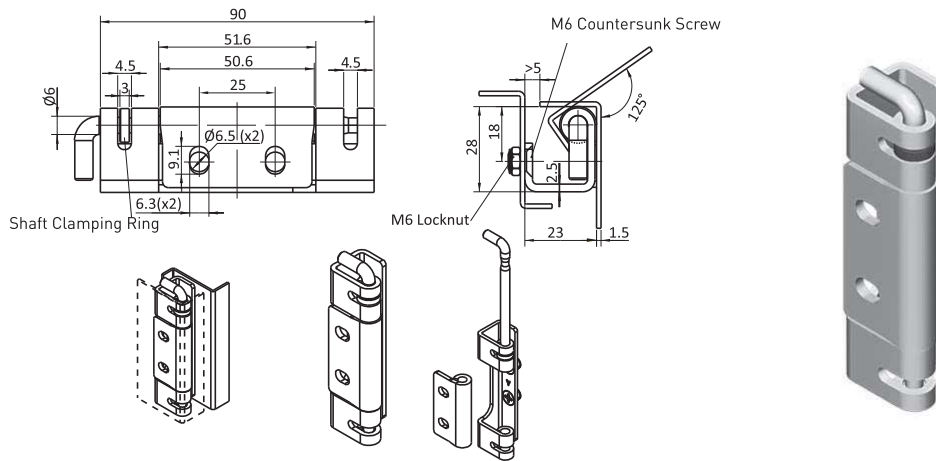
0830199R





**CONCEALED HINGES**

DESCRIPTION	To hinge panels
MATERIAL	Mild steel / Stainless steel 304
SURFACE	Zinc plated



Concealed Hinges

304 SS

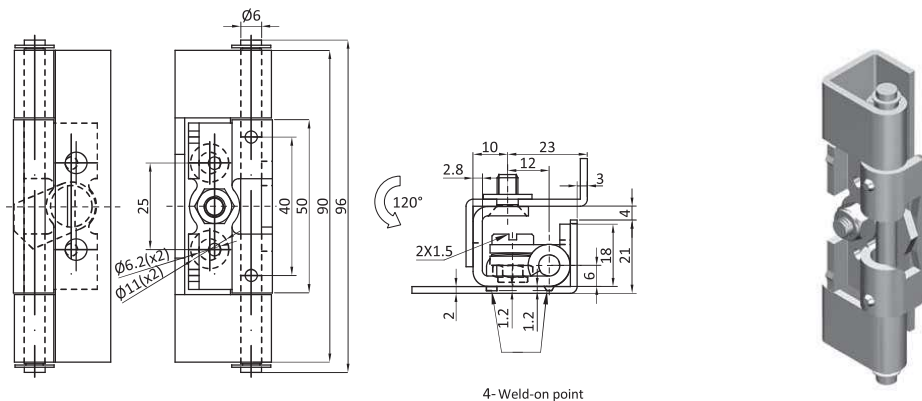
Mild steel

**0813398**

**0840063**

**CONCEALED HINGES**

DESCRIPTION	To hinge panels
MATERIAL	Mild steel / Stainless steel 304
SURFACE	Zinc plated
SPECIALS	Right and left Lift off



Concealed Hinges

304 SS

Mild steel

**0840050**

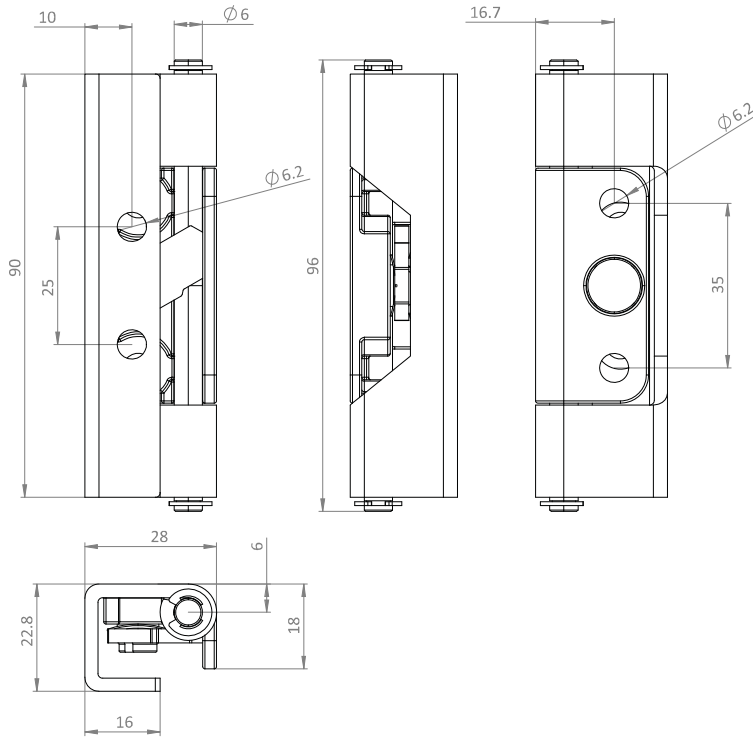
**0840051**





**CONCEALED HINGES**

DESCRIPTION	To hinge panels and doors
MATERIAL	Mild steel / Stainless steel 304 / Die cast zinc
SURFACE	Zinc Nickel



Concealed Hinges

Right

Left

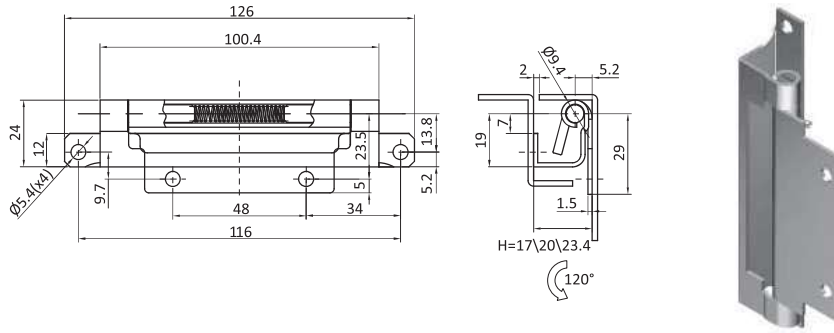
0830199RS01

0830199LS01



**CONCEALED HINGES**

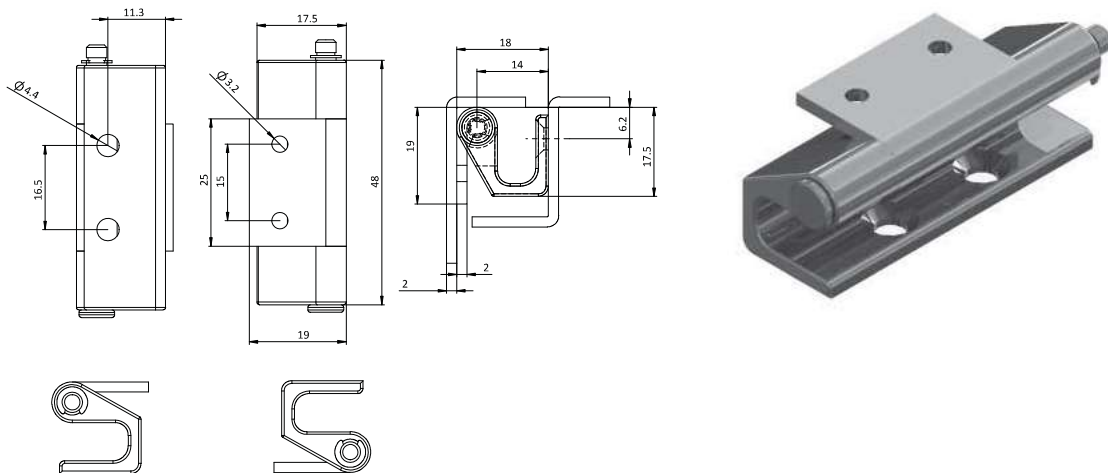
DESCRIPTION	To hinge panels
MATERIAL	Mild steel / Stainless steel 304
SURFACE	Zinc plated
SPECIALS	Right and left Lift off



Concealed Hinges	304 SS	Mild steel
17	<b>0840033</b>	<b>0840035</b>
20	<b>0840003</b>	<b>0840036</b>
23.4	<b>0840034</b>	<b>0840037</b>

**CONCEALED HINGE**

DESCRIPTION	To hinge panels
MATERIAL	Hinge leaves: Die-cast zinc Hinge pin: Mild steel
SURFACE	Hinge leaves: Bright Chrome Plate Hinge pin: Zinc plated
SPECIALS	Right and left

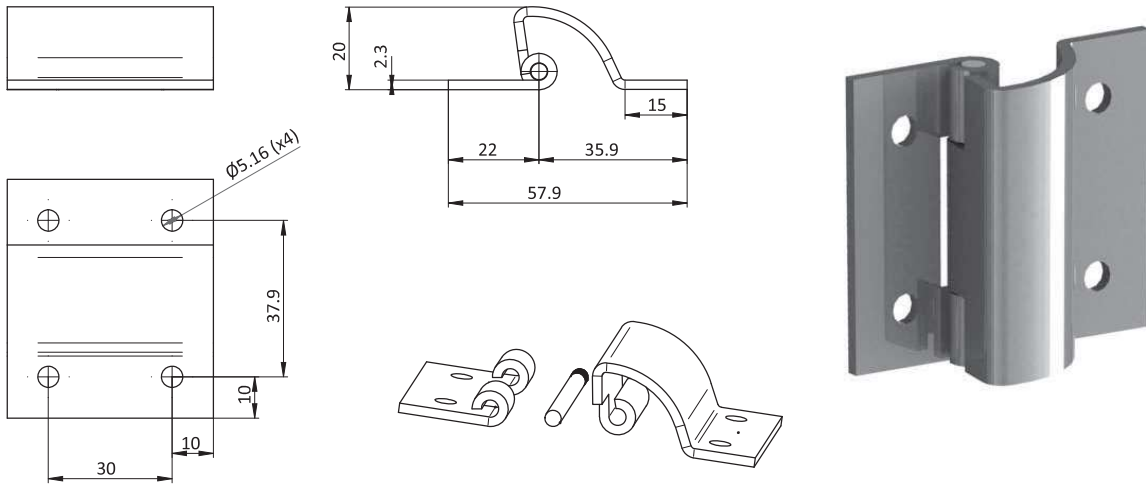


Concealed Hinge	Part #
	<b>0840011501</b>



**CONCEALED HINGES**

DESCRIPTION	To hinge panels
MATERIAL	Mild steel
SURFACE	Zinc plated
SPECIALS	Right and left

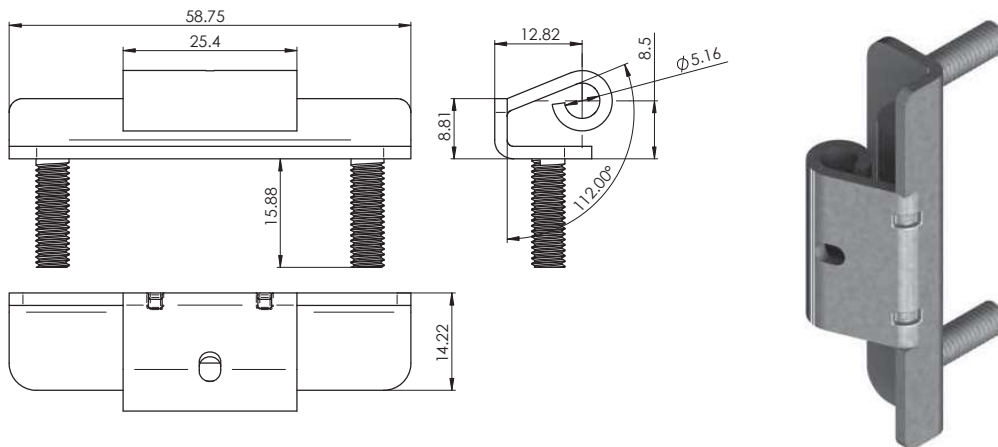


Concealed Hinge

Part #

**0840056**

DESCRIPTION	To hinge panels
MATERIAL	Mild steel
SURFACE	Zinc plated
SPECIALS	Right and left



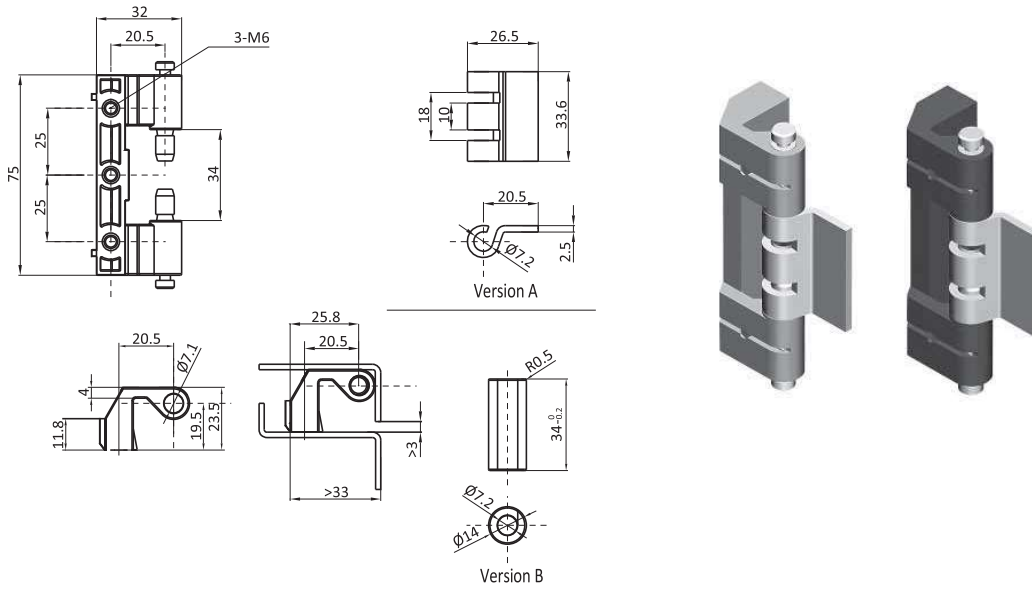
Concealed Hinge

Part #

**0840059**

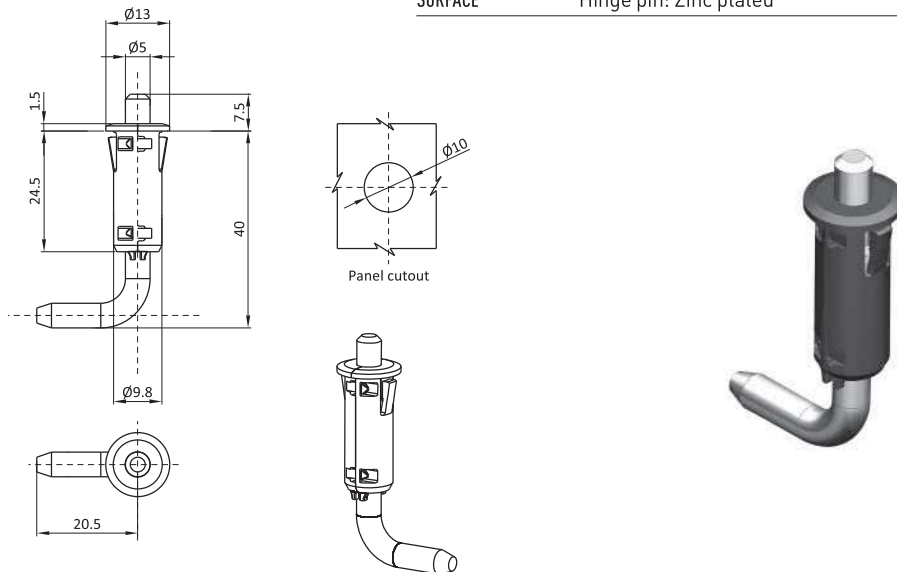
**CONCEALED HINGES**

DESCRIPTION	To hinge panels
MATERIAL	Die cast zinc
SURFACE	Black powder coated / Sand blasted
SPECIALS	Right and left Lift off



**CONCEALED HINGE**

DESCRIPTION	To hinge panels
MATERIAL	Hinge housing: Nylon PA, glass fiber reinforced Hinge pin: Mild steel
SURFACE	Hinge pin: Zinc plated



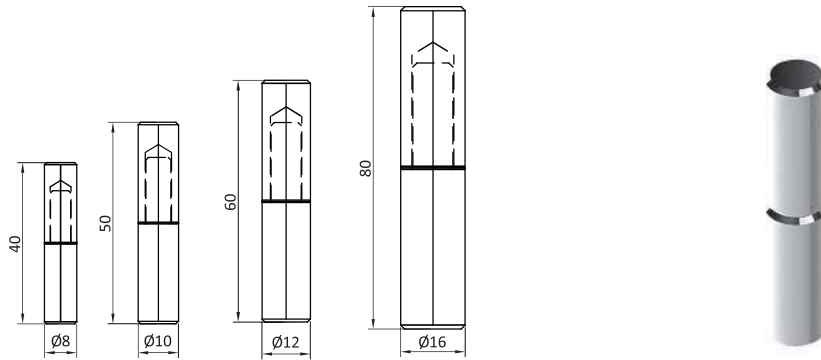
Concealed Hinge

Part #

0813399

**WELD ON HINGES**

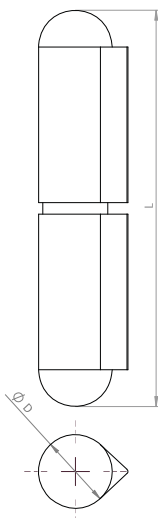
DESCRIPTION	To hinge panels
MATERIAL	Mild steel / 304 SS
SURFACE	Zinc plated
SPECIALS	Right and left Lift off



Weld On Hinges	304 SS	Mild steel
40	<b>0840042</b>	<b>0840043</b>
50	<b>0840044</b>	<b>0840045</b>
60	<b>0840046</b>	<b>0840047</b>
80	<b>0840048</b>	<b>0840049</b>

**WELD ON HINGES**

DESCRIPTION	To hinge panels
MATERIAL	304 SS
SURFACE	
SPECIALS	Right and left Lift off



Dimension L	Dimension D	Part Number
40mm	8mm	<b>0840064</b>
70mm	13mm	<b>0840064S01</b>