

# INDUSTRIAL HARDWARE CHAPTER 7: **SEMI-CONCEALED HINGES**

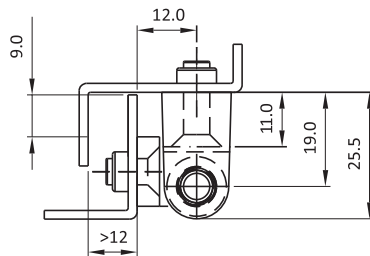
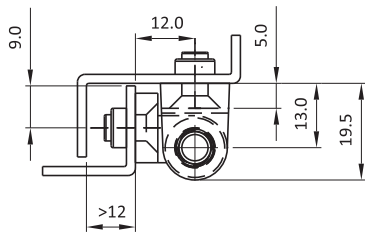
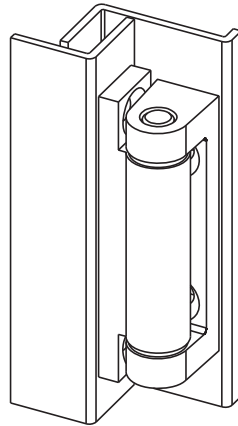
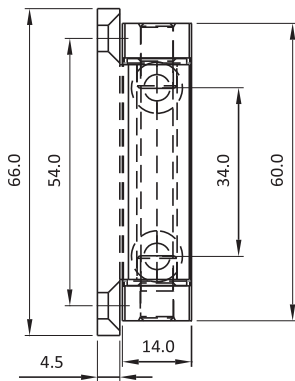


<b>SCREW-ON HINGES</b>	<b>190</b>
<b>SEMI-CONCEALED METAL HINGES</b>	<b>191-192</b>
<b>SEMI-CONCEALED LIFT OFF HINGES</b>	<b>193</b>
<b>SEMI-CONCEALED METAL HINGES</b>	<b>194-195</b>
<b>SEMI-CONCEALED LIFT OFF HINGES</b>	<b>196</b>
<b>SEMI-CONCEALED HINGES- QUICK INSTALL</b>	<b>197</b>



**SCREW-ON HINGES**

DESCRIPTION	To hinge panels
MATERIAL	Hinge leaves: Die-cast zinc Hinge pin and mounting pin: Mild steel
SURFACE	Hinge leaves: Black powder coated / chrome plated Hinge pin and mounting pin: Zinc plated

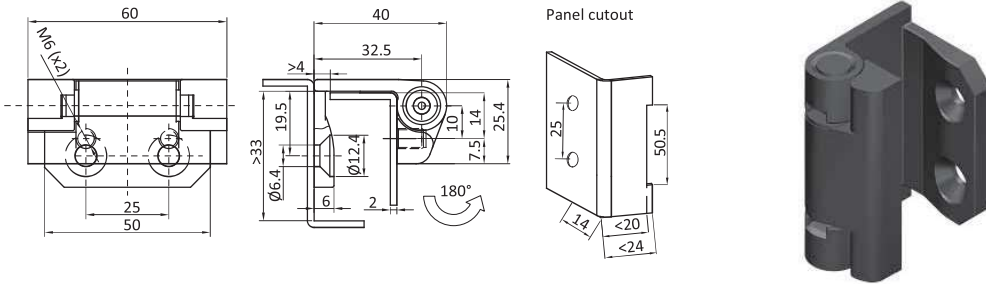


Offset (mm)	Black Powder Coated	Chrome Plated
13	<b>0813388</b>	<b>0813389</b>
19	<b>0813390</b>	<b>0813391</b>



**SEMI-CONCEALED METAL HINGES**

DESCRIPTION	To hinge panels
MATERIAL	Hinge leaves: Die-cast zinc Hinge pin: PA
SURFACE	Hinge leaves: Black powder coated



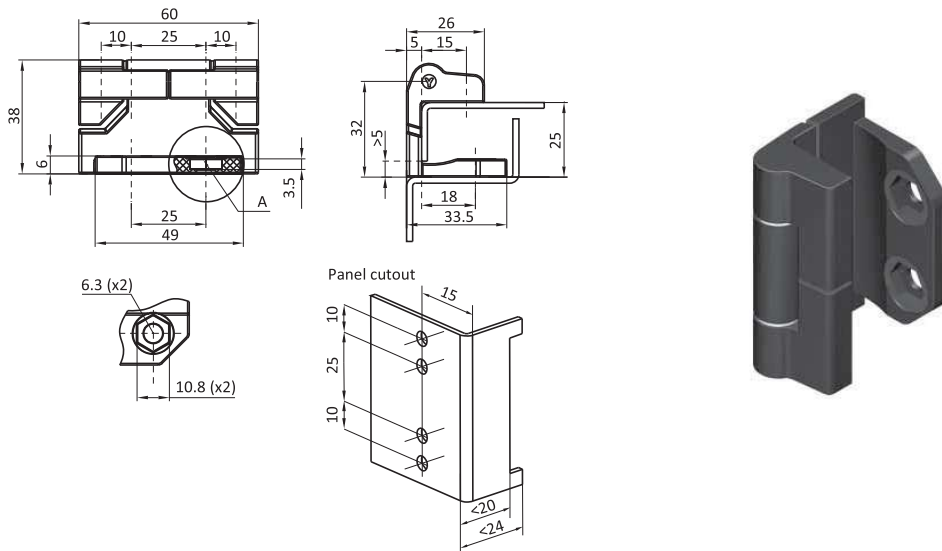
Semi-Concealed Metal Hinges

Part #

**0830075**

**SEMI-CONCEALED METAL HINGES**

DESCRIPTION	To hinge panels
MATERIAL	Hinge leaves: Die-cast zinc Hinge pin: Mild steel
SURFACE	Hinge leaves: Black powder coated Hinge pin: Zinc plated



Semi-Concealed Metal Hinges

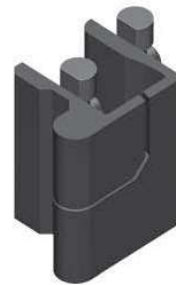
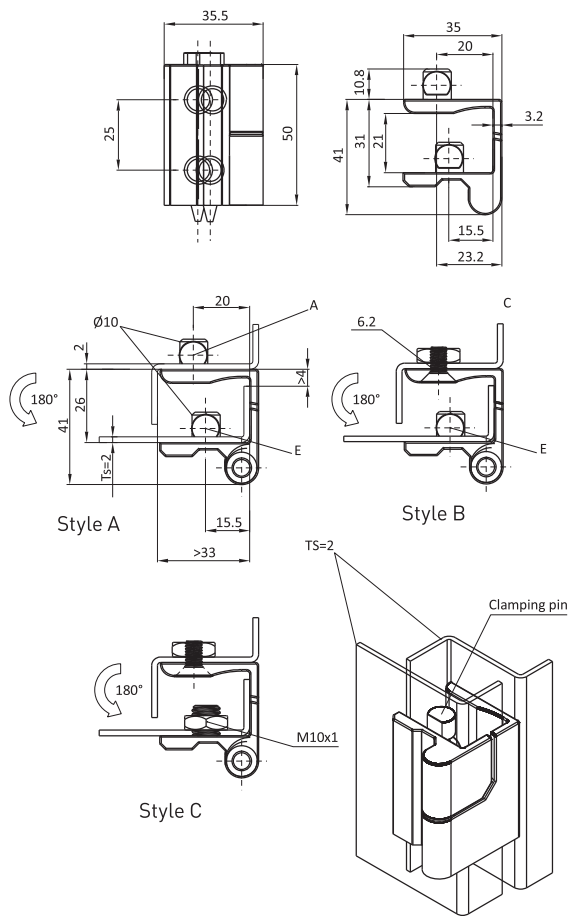
Part #

**0830071**



**SEMI-CONCEALED METAL HINGES**

DESCRIPTION	To hinge panels
MATERIAL	Hinge leaves: Die-cast zinc Hinge pin: Mild steel
SURFACE	Hinge leaves: Black powder coated Hinge pin: Zinc plated



Style A



Style B

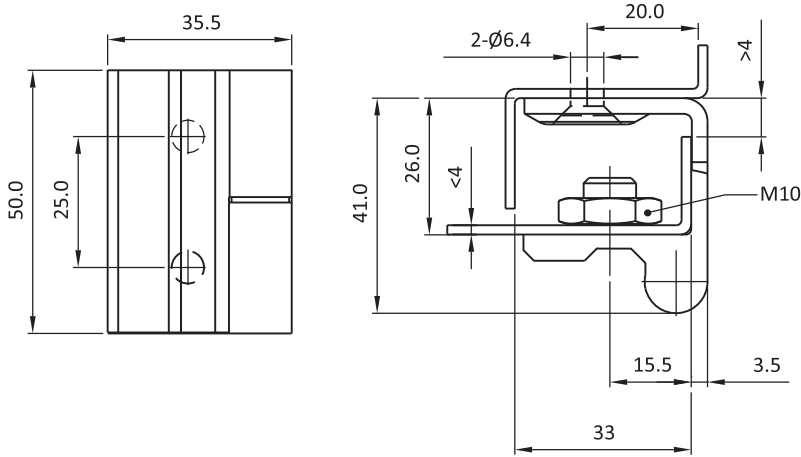


Style C

Style	Left	Right
A	<b>0830169S01</b>	<b>0830069S01</b>
B	<b>0813378</b>	<b>0813379</b>
C	<b>0813380</b>	<b>0813381</b>

**SEMI-CONCEALED LIFT OFF HINGES**

DESCRIPTION	To hinge panels and for easy panel removal
MATERIAL	316 SS



Semi-Concealed Lift off Hinges

Left

Right

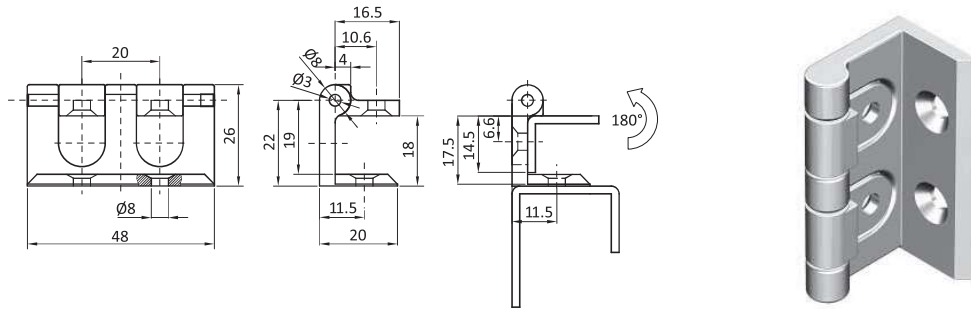
0813386

0813387



**SEMI-CONCEALED METAL HINGES**

DESCRIPTION	To hinge panels
MATERIAL	Hinge leaves: Die-cast zinc Hinge pin: Mild steel
SURFACE	Hinge leaves: Zinc plated Hinge pin: Zinc plated



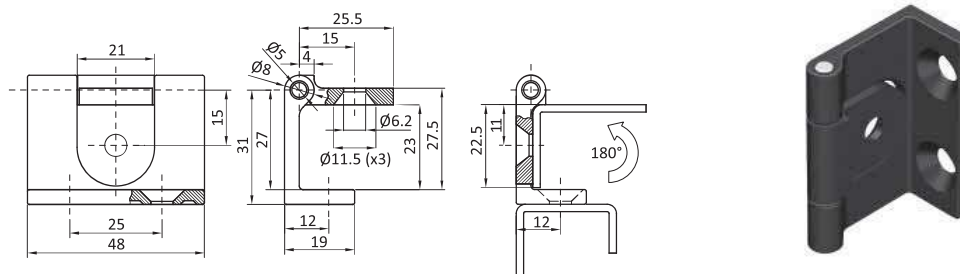
Semi-Concealed Metal Hinges

Part #

**0830074**

**SEMI-CONCEALED METAL HINGES**

DESCRIPTION	To hinge panels
MATERIAL	Hinge leaves: Die-cast zinc Hinge pin: Mild steel
SURFACE	Hinge leaves: Black Zinc plated Hinge pin: Zinc plated



Semi-Concealed Metal Hinges

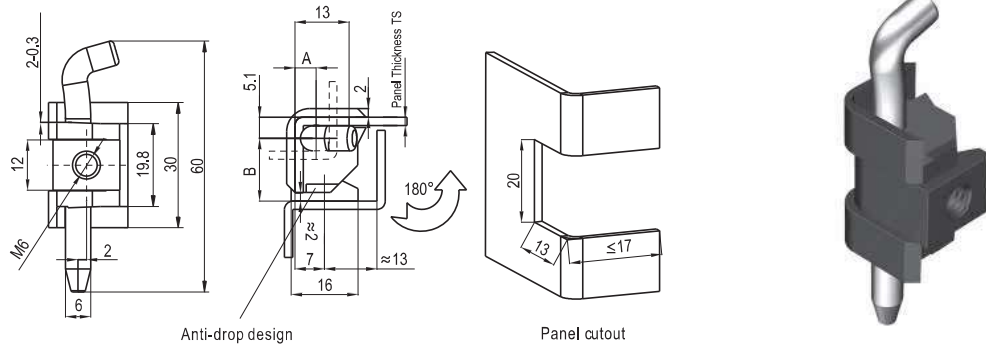
Part #

**0830076**



**SEMI-CONCEALED METAL HINGES**

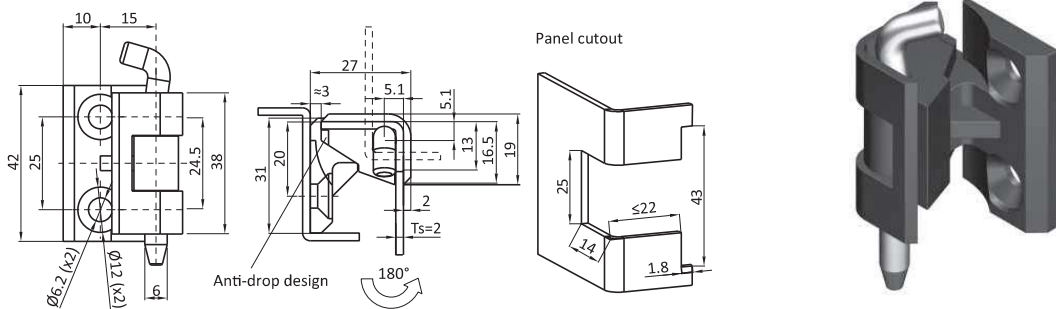
DESCRIPTION	To hinge panels and for easy panel removal
MATERIAL	Hinge leaves: Die-cast zinc Hinge pin: Mild steel
SURFACE	Hinge leaves: Black powder coated / chrome plated Hinge pin: Zinc plated



Panel thickness Ts [mm]	A	B	Black Powder Coated	Chrome Plated
1,5	4.6	15	<b>0830059</b>	<b>0830061</b>
2	5.1	15	<b>0830060</b>	<b>0830062</b>

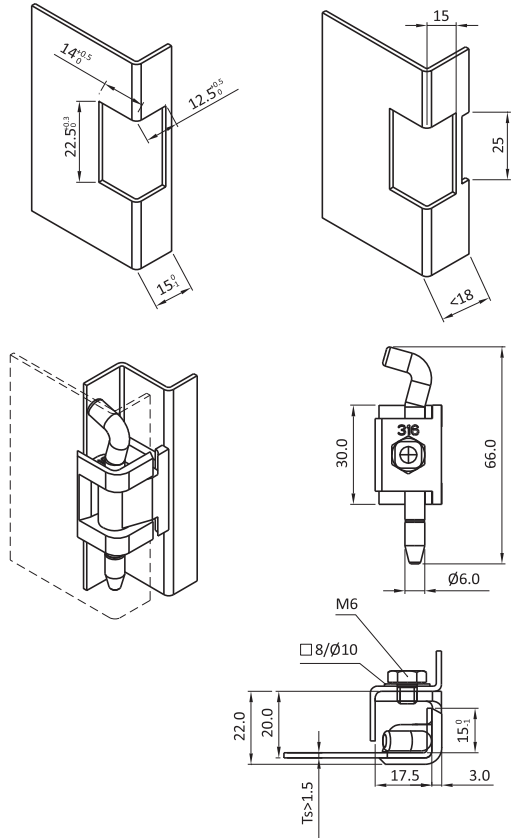
**SEMI-CONCEALED METAL HINGES**

DESCRIPTION	To hinge panels and for easy panel removal
MATERIAL	Hinge leaves: Die-cast zinc Hinge pin: Mild steel
SURFACE	Hinge leaves: Black powder coated / chrome plated Hinge pin: Zinc plated



Panel thickness Ts [mm]	Black Powder Coated	Chrome Plated
1,5	<b>0830063</b>	<b>0830065</b>
2	<b>0830064</b>	<b>0830066</b>

**SEMI-CONCEALED LIFT OFF HINGES**

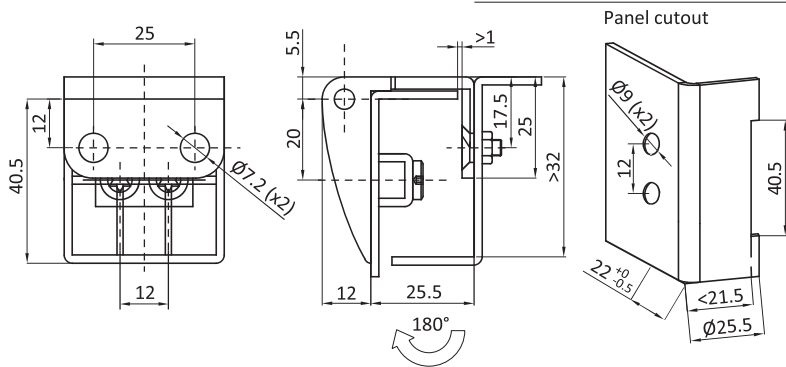


DESCRIPTION	To hinge panels and for easy panel removal
MATERIAL	316 SS



Panel thickness Ts [mm]	316 SS
1,5	<b>0813384</b>
2	<b>0813385</b>

DESCRIPTION	To hinge panels
MATERIAL	Hinge leaf: Die-cast zinc Hinge pin and mounting pin: Mild steel
SURFACE	Hinge leaf: Black powder coated / turquoise powder coated Hinge pin and mounting pin: Zinc plated



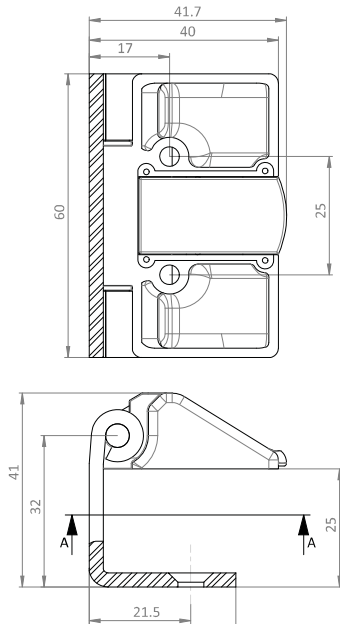
Semi-Concealed Lift off Hinges	Black Powder Coated	Turquoise Powder Coated
	<b>0813382</b>	<b>0813383</b>





**SEMI-CONCEALED HINGES- QUICK INSTALL**

DESCRIPTION	To hinge panels
MATERIAL	Frame Hinge Leaf: Mild steel Door Hinge Leaf: Die cast zinc Hinge pin and mounting pin: Mild steel
SURFACE	Hinge leaves: Black powder coated Hinge pin and mounting pin: Zinc plated



- STEP1: Install door hinge leaf to door (left part). Install frame hinge leaf to frame (right part).
- STEP2: Push hinge together until a “Click” sound is heard. The door is now attached.
- STEP3: To remove the door slide the slam bolt actuator away from the hinge pin until it becomes locked in place by a ball detent. Repeat for all hinges.
- STEP4: Simply lift off door
- STEP5: To reinstall the door lightly slide the slam bolt actuator back toward the hinge pin.