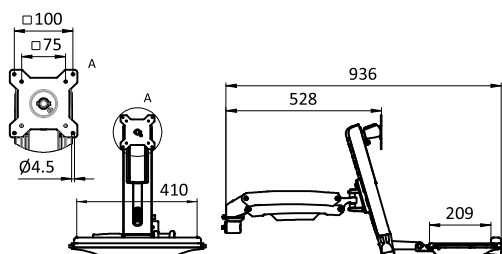


**MONITOR WORK STATION SIT / STAND 4-AXIS, PROFILE ATTACHMENT (SET)**

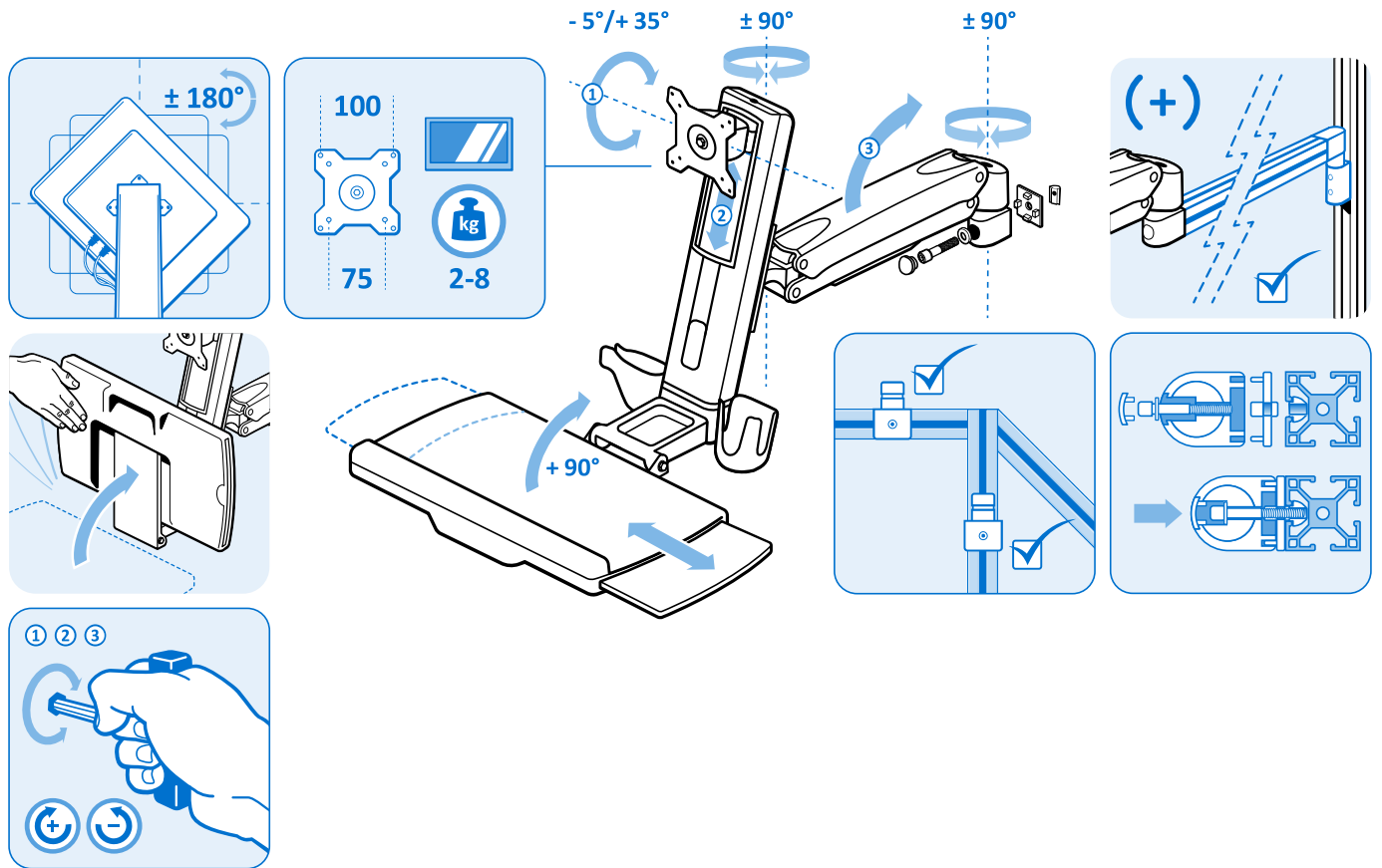
<b>MODEL</b>	4-axis
<b>DESCRIPTION</b>	For mounting of monitors with 2 - 8 kg, mounting plate VESA MIS-D 75/100 compatible, adjustable viewing angle and height; fold-up holder with wrist rest for keyboard up to 2.5 kg, incl. left or right pull-out shelf for mouse, as well as holders for hand scanner and mouse; 360° mounting flange can be attached lateral, transverse, or on the face of the profile, if attached on the front face, the core hole of the respective profile must be M8 threaded
<b>MATERIAL</b>	Monitor Work Station: Steel / aluminum / plastic Cable management cover: Plastic Mounting flange: Aluminum die-cast Screws: Steel
<b>SURFACE</b>	Monitor Work Station: Lacquered Mounting flange: Lacquered Screws: Zinc plated
<b>COLOR</b>	Monitor Work Station: Gray Cable management cover: Gray Mounting flange: Alu color
<b>SET</b>	1 monitor work station incl. keyboard holder and cable management cover 1 mounting flange incl. bolt and cover cap 1 screw DIN 912 - M8 x 45 (for T-slot nut) 1 screw DIN 912 - M8 x 50 (for core hole) 1 washer 8-FSt 1 centering plate - slot 8 1 centering plate - slot 10 1 T-slot nut - slot 8 - M8 1 T-slot nut - slot 10 - M8
<b>PACK QUANTITY</b>	1 set



Slot	Weight [g]	Profile	Part #
- / 8 / 10	9200.0	I	6MHM75100S40IT

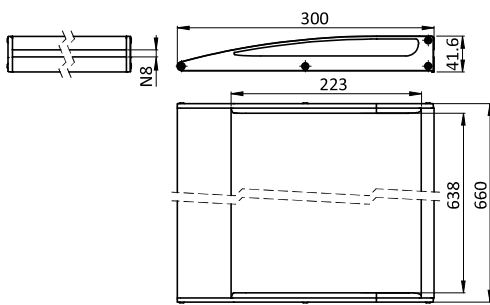


MONITOR WORK STATION SIT / STAND 4-AXIS, PROFILE ATTACHMENT (SET)



**KEYBOARD HOLDER AL, SLOT 8 (SET)**

<b>MODEL</b>	Aluminum
<b>DESCRIPTION</b>	For placing the keyboard and mouse, with wrist rest
<b>MATERIAL</b>	Keyboard holder: Aluminum, anodized Cover Caps: Plastic PA, glass ball reinforced Screws: Steel, zinc plated
<b>SURFACE</b>	Keyboard holder: Anodized Screws: Zinc plated
<b>COLOR</b>	Cover Caps: Gray
<b>SET</b>	1 keyboard holder, 2 cover caps, 8 screws 3.9 x 16
<b>PACK QUANTITY</b>	1 set
<b>TIP</b>	Compatible direct connectors see 099DC084040N08 and 099DC084045N10



Slot	Weight [g]	Profile	Part #
8	2645.0	I	061KH300N0874.650

