

VISUAL BOARDS

**Key figures clearly and flexibly:
All important information at a glance with FATH Visual Boards**



- Scratch-resistant enamel surface
- Permanent protection against marker residue
- Magnetic over the entire surface
- Different designs: enamel wall board, mobile enamel board, mobile enamel cube
- Space-saving and practical designs
- Enamel panels for customized designs sold separately

HIGHLIGHTS

The surfaces of all **FATH** Visual Boards are made of enamel – top of the line! A glass-like mixture is applied to the metal surface at temperatures of around 1000 degrees Celsius and then hardened. The result is a surface with special properties. The whiteboard surface is extremely easy to clean by simply wiping it dry. While conventional whiteboards with lacquered surfaces still leave residues from writing after wiping them down, **FATH** Visual Boards can be cleaned without leaving any residue.

The enameled surfaces are scratch-resistant, extremely resilient and retain their smooth feel over the long term. They remain undamaged even after daily use and repeated writing and wiping. In addition to writing, the entire metal surface can be used with magnets, thus turning the whiteboard into a magnetic board.

The enameled Visual Board panels are also available separately upon customer request. You can build your own whiteboard or magnetic board with custom-fit dimensions. The whiteboard panels are easily framed in your own profile. In addition to wall mounting, specific needs, such as attachment to machines, can also be met.

ENAMELED SURFACE & RESIDUE-FREE CLEANING



Three designs for every application and requirement

Each **FATH** Visual Board design features a metallic whiteboard surface framed in an aluminum 40 x 40 mm profile. Attachments such as monitor supports, keyboard holders, scanner holders, trays or header profiles can be easily integrated. Enamel wall boards can be securely attached to walls and are also suitable for mounting on machine enclosures or shelving systems. Mobile enamel boards are available in a single-sided version as well as a double-sided version with an enamel surface on the front and back.

Enamel wallboard: easy to attach to aluminum profiles

This design is suitable for mounting on walls as well as attaching on machine enclosures or protective fences. Mounting on aluminum profiles can be completed in a few easy steps using the whiteboard's 40x40 profile frame. Monitors or warning signal lamps can be attached to the profile exterior. The visible side of the profile is closed.

Mobile enamel boards: information flexibly delivered

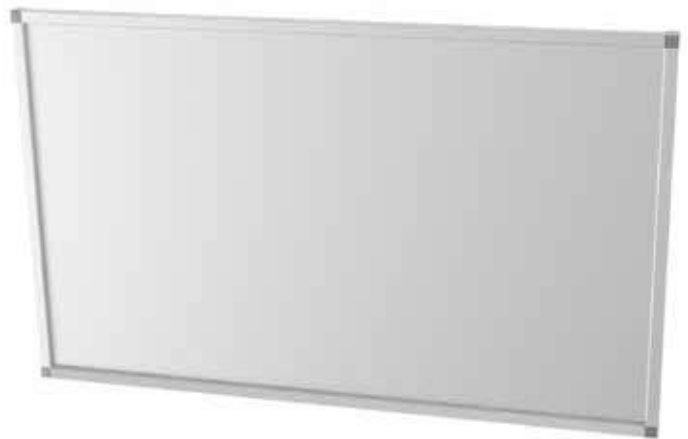
Mobile enamel boards can be placed anywhere in the room and easily moved around at any time using the framed stand on rollers. The integrated brakes ensure that the boards are held securely in position. This design is ideal when machines are too small to attach wallboards. The mobile enamel boards are also an ideal choice for office areas or supervisor's offices, as their height will fit through any standard door. The structure is the same as that of **FATH** enamel wallboards. Industrial rollers with brakes are available as an option in the ESD version.

A special added extra: The feet on the visual boards are rubberized on their exterior. The rubber buffer above the rollers protects against injury and damage to walls and doors.

Mobile enamel cube: space-saving miracle on rollers

Thanks to its four enameled sides, the cube-shaped **FATH** Visual Board provides an incredible amount of space on a small footprint. About one square meter of floor space is required to provide as much information as on a whiteboard almost three meters wide. Since the mobile enamel cube fits through any standard door, it can be placed in any space, from meeting rooms to production and warehouse areas. The space-saving, square design is especially suitable for transportable provision of detailed information and production notices. The metallic surfaces on the mobile enamel cube are also framed in 40x40 aluminum profiles. The visible sides of the profile are enclosed to protect against contamination and deposits.

Industrial rollers with brakes are optionally available in an ESD version.



Accessories for optimal use

With these accessories, you can make optimum use of the **FATH** Visual Board – lean and sustainably:

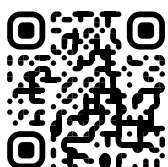
- Whiteboard markers, set of 4, black
- Whiteboard markers set of 4, colored (blue, red, yellow, green)
- Cleaning felts
- Cleaning agent

Smart accessories

The **FATH** UTENSILO is the perfect addition to your **FATH** Visual Board. Board markers, cleaning agent and board erasers are neatly stored and are always handy where you need them. A marker is easily removed by twisting, while the cap remains in the UTENSILO and cannot get lost. Thanks to the magnets attached on the back, the UTENSILO sits securely on any magnetically adhesive, smooth surface. Left-handed users can adjust it to their needs by turning it 180°.



More on the **FATH** UTENSILO:
utensilo.fath24.com

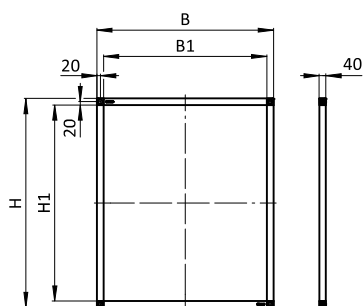


Would you like to learn more about **FATH** Visual Boards?

visual-board.fath24.com

WALL-MOUNTED ENAMEL BOARD

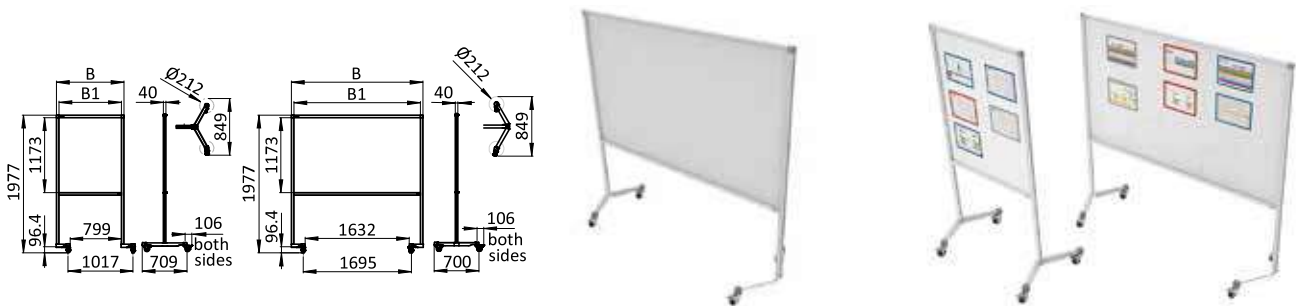
MODEL	For wall mounting
DESCRIPTION	Flexible applicable board with one-sided enamel coating for writing on, dry wipeable, magnetic; Resistant enamelled surface, durable against mechanical and chemical influences; Profile frame 40 x 40 mm, without slot on the front side, circumferential slot 8 on the side for mounting accessories like monitor or keyboard holders; Supplied with wall spacers for easier mounting
MATERIAL	Board: MDF, steel Profile frame: Aluminum Spacer: Plastic PA
SURFACE	Board: Enamelled Profile frame: Anodized
COLOR	Board: White Spacer: Black
SET	1 wall-mounted enamel board 4 spacers
FASTENING	From the back, using M8 screws
PACK QUANTITY	1 piece



B [mm]	H [mm]	B1 [mm]	H1 [mm]	WEIGHT [g]	PROFILE	PART #
1057.0	1253.0	977.0	1173.0	9.3	I	020611000
2059.0	1253.0	1979.0	1173.0	14.8	I	020612000

MOBILE ENAMEL BOARD

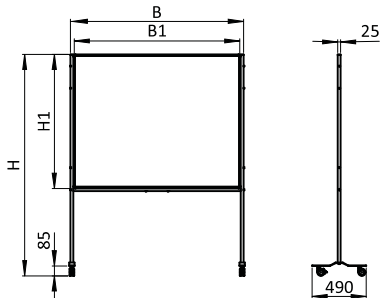
MODEL	One sided enamel coating
DESCRIPTION	Flexible applicable board with one-sided enamel coating for writing on, dry wipeable, magnetic on both sides, resistant enamelled surface, durable to mechanical and chemical influences; Equipped with four swivel casters for moving, two of them incl. system brakes for securing against unintended movement; Profile frame 40 x 40 mm, without slot on the front side, circumferential slot 8 on the side for mounting accessories like monitor or keyboard holders
MATERIAL	Board: MDF, steel Profile frame: Aluminum Wheel body: Plastic PP Tread: Plastic TPE
SURFACE	Board: Enamelled Profile: Anodized
COLOR	Board: White Wheel body: Gray ≈ RAL 7001 Tread: Gray ≈ RAL 7031
PACK QUANTITY	1 piece
SPECIALS	Swivel casters as ESD electrostatically discharging version on request



B [mm]	H [mm]	B1 [mm]	H1 [mm]	WEIGHT [g]	PROFILE	PART #
1057.0	1977.0	977.0	1173.0	21.0	I	020631000M
2059.0	1977.0	1979.0	1173.0	26.5	I	020632000M

MOBILE WHITEBOARD

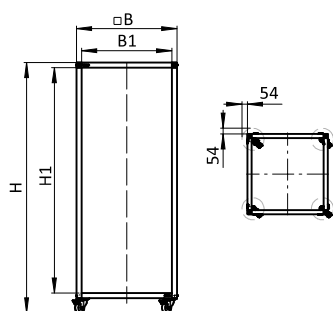
MODEL	Double sided laquered
DESCRIPTION	Flexible applicable board with double sided laquered steel for writing on, dry wipeable, magnetic on both sides; Equipped with four swivel casters for moving, two of them incl. brakes for securing against unintended movement
MATERIAL	Board: Steel Frame: Aluminum Swivel caster arm: Steel Wheels: Plastic PA
SURFACE	Board: Laquered Frame: Laquered Swivel caster arm: Laquered
COLOR	Board: White Frame: Black Swivel caster arm: Black Wheels: Black
SET	1 board 3 frame struts 8 screws M5 x 30 2 screws M8 x 40 2 swivel casters 2 swivel casters with brake
PACK QUANTITY	1 piece
TIP	Whiteboard is not pre-assembled



B [mm]	H [mm]	B1 [mm]	H1 [mm]	WEIGHT [g]	PART #
1588.0	2000.0	1500.0	1200.0	30.5	02063L1500M

MOBILE ENAMEL CUBE

MODEL	Rotatable
DESCRIPTION	Flexible applicable cube, four-sided enamel coating for writing on, dry wipeable, magnetic, resistant enamelled surface, durable to mechanical and chemical influences; space saving due to square base; Equipped with four swivel casters for moving, two of them incl. system brakes for securing against unintended movement; Profile frame 40 x 40 mm, without slot on the front side, entirely preassembled
MATERIAL	Boards: MDF, steel Profile frame: Aluminum Wheel body: Plastic PP Tread: Plastic TPE
SURFACE	Boards: Enamelled Profile frame: Anodized
COLOR	Boards: White Wheel body: Gray ≈ RAL 7001 Tread: Gray ≈ RAL 7031
PACK QUANTITY	1 piece
SPECIALS	Swivel casters as ESD electrostatically discharging version on request



B [mm]	H [mm]	B1 [mm]	H1 [mm]	WEIGHT [g]	PROFILE	PART #
780.0	1943.0	700.0	1750.0	35.0	I	02062780