

FIFO GUIDING RAILS

Build a FIFO station based on need while saving space with FATH FIFO Guiding Rails



- Modular system – scalable at any time
- Extra wide, break-proof insertion caps
- Upward-facing profile slots for cost-effective enclosure
- Floating installation without screwed joints
- Space-saving thanks to one-sided rail guide

HIGHLIGHTS

Thanks to the modular design, the length and width of the FIFO station can be flexibly adjusted. You can set up your FIFO station exactly according to your individual requirements and expand it at any time. The FIFO guiding rails are screwed together with connection plates directly on the insertion caps. This connection element ensures stability and determines the track width. The number of tracks can be selected based on need.

Individual guiding rails are joined together with a lengthwise connector to achieve the desired track length. FIFO guiding rails are available in the standard lengths 1200, 1800 and 2400 mm and, upon request, in the exact length you require.

Unique on the market: Rectangular connections enable cost-effective enclosure. The 8 mm profile slot incorporated in the FIFO guiding rails can be used to effortlessly install structures with all standard 40 x 40 mm profiles, such as enclosures to indicate tracks. A post for signage can be easily positioned from above at a 90° angle and securely anchored in the slot. Integration on machine protection enclosures is possible as well. Thanks to the practical rectangular connections, these fixtures can be implemented significantly faster and at a far lower cost than with conventional systems.

EFFICIENT MATERIAL PROVISION

Innovative: extra wide insertion caps for easy feeding in of dollies

FATH has redesigned the insertion caps to ensure even greater efficiency when handling dollies. The extremely wide opening acts like a funnel and helps facilitate the loading of the FIFO station. Rollers can be effortlessly slid into the rails even when they are completely hidden from view by crates. The insertion caps are mounted at the start and end of each track. This allows operators to implement the FIFO principle (First In First Out) perfectly, ensuring an optimized in-house flow of goods. Another big plus: FATH insertion caps for the FIFO station are manufactured using aluminum die casting and are unbreakable, unlike conventional plastic caps.



Quick and easy installation without bolting to the floor

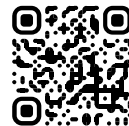
FATH FIFO Guiding Rails feature floating installation. The FIFO station doesn't have to be bolted to the floor to be securely seated, which protects factory floors. The rails are held by the dead weight of the dollies. A bolted connection to the floor is available as an option for special requirements; drill holes are integrated into the insertion caps.

Space-saving, one-sided rail guide

One guiding rail per track is sufficient to hold dollies firmly in position. You can freely choose which side of the dolly is to be guided. Just three guiding rails are required for three tracks, for example. This reduces costs, saves space and provides additional flexibility.

Perfect interaction: FATH FIFO Guiding Rails and FATH Dollies

Material provision becomes even more efficient in combination with FATH Dollies. The dollies are precisely designed for all KLT/Euro containers 400 x 600 mm and offer a high load-bearing capacity of up to 250 kg. As empties, they can be stacked to save space and stored in a minimal amount of space. Versions are available with and without lateral guide as well as with towing bar systems suitable for tugger trains. All FATH rollers for dollies are equipped with high-quality wheels manufactured by Blickle Germany.



More on FATH Dollies:
dolly.fath24.com

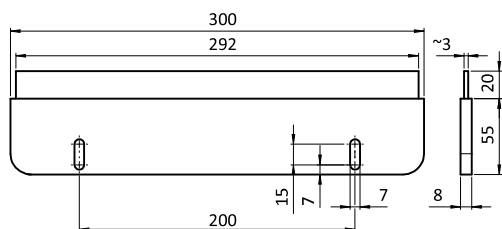


Would you like to learn more about FATH FIFO Guiding Rails?

guiding-rail.fath24.com

BRUSH BRAKE FOR GUIDING RAIL FIFO (SET)

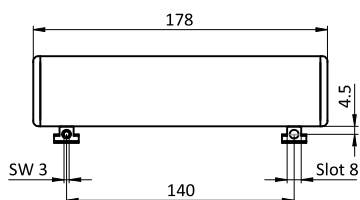
MODEL	Aluminum, Slot 8
DESCRIPTION	for braking and stopping dollies in guiding rails; variable fixable via slot of the guide rail FIFO
MATERIAL	Body : Aluminum Bristles: Plastics PA
SURFACE	Body : Anodized
COLOR	Bristles: Black
DIMENSIONS	Total Length: 300 mm Length of the Bristles: 20 mm
PACK QUANTITY	1 piece
TIP	Compatible guiding rail FIFO see 02082P.1200



WEIGHT [g]	PART #
149.38	02082BB

ADJUSTABLE CASTER END STOP FOR GUIDING RAIL FIFO

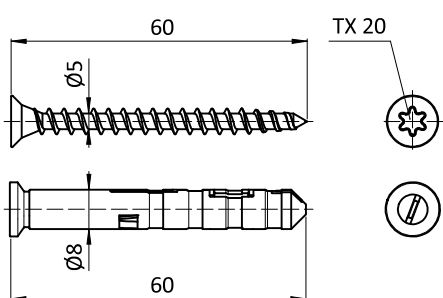
MODEL	Aluminum
DESCRIPTION	To stop dollies in guiding rails FIFO; Easy installation with enclosed connectors
MATERIAL	Profile: Aluminum Cover Cap: Plastic PA Connector: Steel
SURFACE	Profile: Anodized Connector: Zinc plated
COLOR	Cover caps: Gray ≈ RAL 7042
SET	1 profile piece 2 cover caps 2 connectors
PACK QUANTITY	1 set
TIP	Compatible guiding rail FIFO see 02082P.1200



L [mm]	WEIGHT [g]	PROFILE	PART #
178.0	380.0	I	02082ES

MOUNTING SET INFEED CAP FOR GUIDING RAIL FIFO

MODEL	Steel
DESCRIPTION	To mount infeed caps for guiding rails FIFO to the floor
MATERIAL	Anchor: Plastic Screws: Steel
SURFACE	Screws: Galvanized
COLOR	Anchor: Yellow
SET	8 anchors 8 x 60 8 screws 5 x 60
PACK QUANTITY	1 set

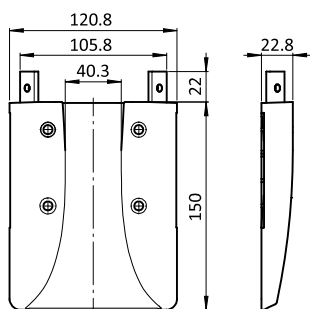


WEIGHT [g]
88.0

PART #
02082FS

INFEED CAP FOR FIFO MONORAIL RAIL 40 (SET)

MODEL	Aluminum die-cast
DESCRIPTION	For easier loading and unloading of FIFO stations with floor dollies; Robust design, mounting directly in the slot of FIFO monorail rail 40 with enclosed hexagon socket set screws
MATERIAL	Infeed caps: Aluminum die-cast Hexagon socket set screws: Steel
SURFACE	Infeed caps: Powder coated Hexagon socket set screws: Zinc plated
COLOR	Infeed caps: Black
SET	8 infeed caps 16 hexagon socket set screws ISO 4027 - M6 x 8
FASTENING	From the front, using M6 countersunk screws
PACK QUANTITY	1 set



WEIGHT [g]	PART #
2.041	02082CCS02