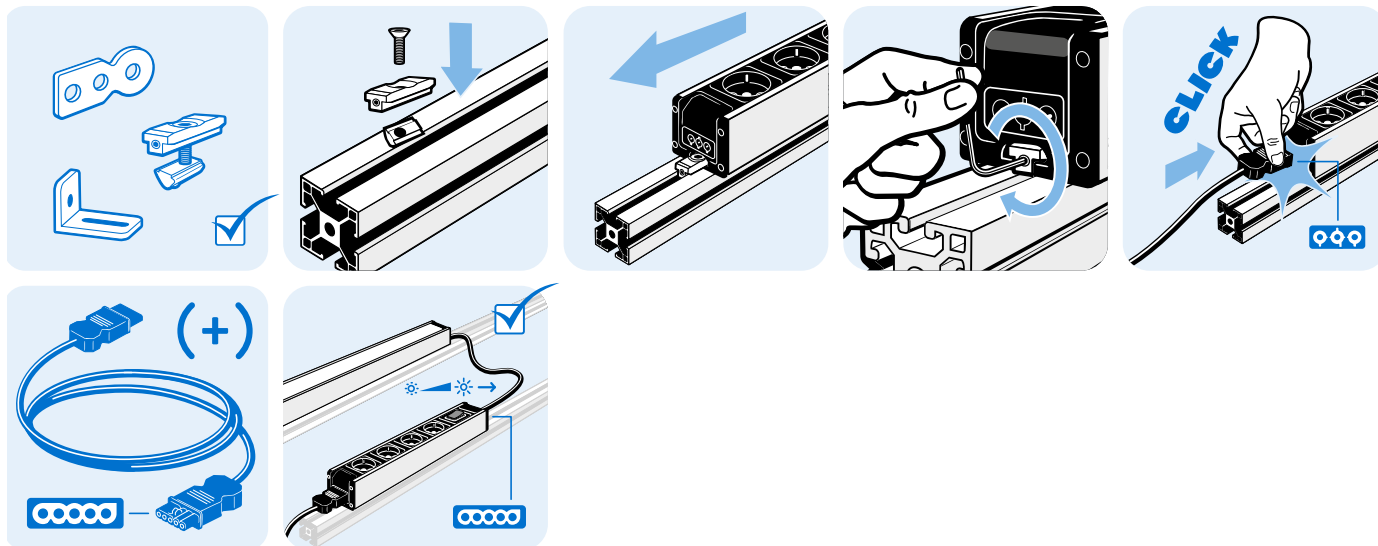


POWER STRIP MODULE F LINE 317 5-WAY 4X, OUTPUT DIMMABLE

ESD	SLOT	SOCKET TYPE	WEIGHT [g]	PROFILE	PART #
	8	EU: CEE 7/3 (Type F)	590.0	I	6SBEU14DI.317
ESD	8	EU: CEE 7/3 (Type F)	590.0	I	6SBEU14DIE.317



POWER STRIP MODULE F LINE 370 6-WAY 4X + USB, INPUT SWITCHABLE

DESCRIPTION	Switchable power strip with sockets for power supply at workstations, with 2x USB charging sockets USB 2.0 Typ A with smart IC; On the backside with slot 8 for mounting on aluminum profiles
MATERIAL	Housing: Aluminum End caps: Plastic PA, carbon fibre reinforced Socket inserts: Plastic PA USB sockets: Plastic ABS Switch: Plastic ABS / PA
SURFACE	Housing: Anodized
COLOR	Housing: - End caps: Black Socket inserts: Black Switch: Blue
LENGTH	370 mm
IP RATING	IP20
MAX. CONNECTION POWER	3500 W
MAX. USB CHARGING CURRENT	3000 mA
OPERATING CURRENT	Max. 16 A
OPERATING TEMPERATURE	0 - 40° C
OPERATING VOLTAGE / FREQUENCY	230 V, AC / 50 Hz
PROTECTION CLASS	II (2)
USB CHARGING VOLTAGE	5.0 V
PACK QUANTITY	1 piece
SPECIALS	Further colors, individually configured power strips on request
TIP	Compatible LED lamp see 6SL0040I.953 Compatible main power cable see 6SAME4J316B.2000 Compatible connection cable see 6ACP5J516B.2000 Compatible connection coupling see 6SAKP3J316B Compatible cover cap for 3 pole female connector see 063SGF3S01 Compatible direct connector I, slot 8 see 099DC084040N08 Compatible direct connector I / B, Slot 8 / 10 see 099DC084045N10
TIP 2	Please note: Max. chaining of 6 modules, 8 m or 3500 watts for Module F Line

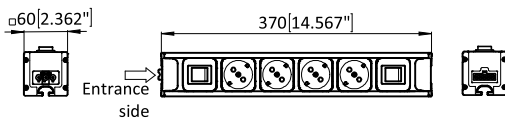


POWER STRIP MODULE F LINE 370 6-WAY 4X + USB, INPUT SWITCHABLE

	SLOT	SOCKET TYPE	WEIGHT [g]	PROFILE	PART #
	8	EU: CEE 7/3 (Type F)	738.0	I	6SBEU14UI.370

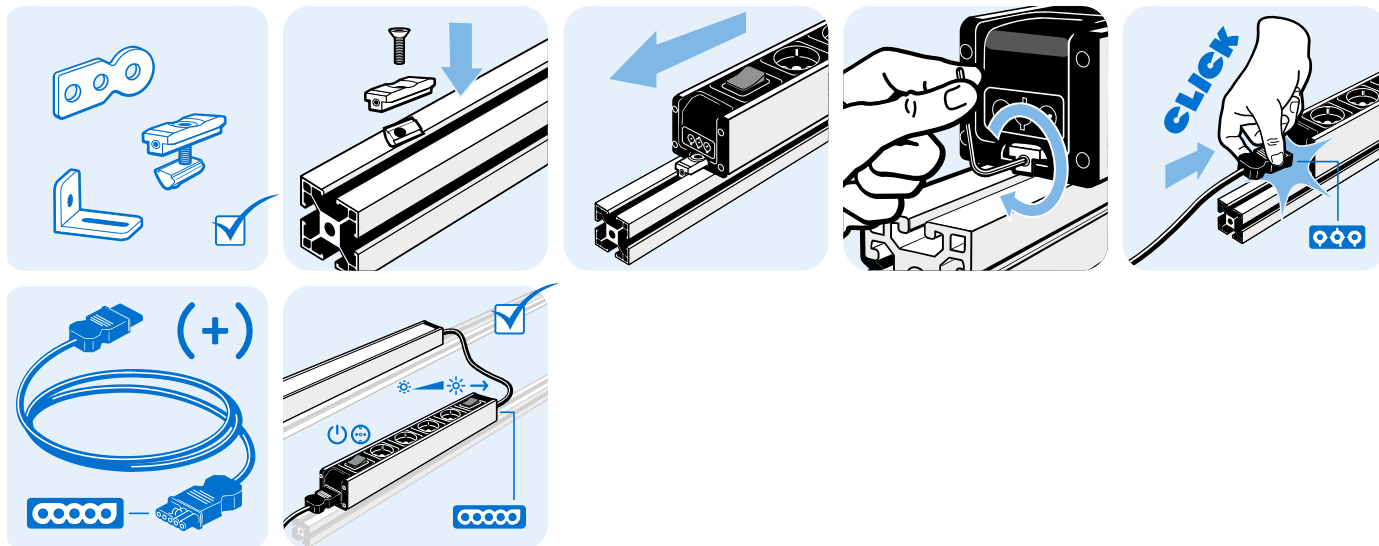
POWER STRIP MODULE F LINE 370 6-WAY 4X, INPUT SWITCHABLE, OUTPUT DIMMABLE

DESCRIPTION	Switchable power strip with sockets for power supply at workstations; With remote dimmer for series-connected LED lamps Modul F Line; Combination on output side only possible with remote dimmable LED lamp module F Line; On the backside with slot 8 for mounting on aluminum profiles
MATERIAL	Housing: Aluminum End caps: Plastic PA, carbon fibre reinforced Socket inserts: Plastic PA Switch/ Button: Plastic ABS / PA
SURFACE	Housing standard version: Anodized Housing ESD electrostatical discharging version: Powder coated
COLOR	Housing standard version: - Housing ESD electrostatical discharging version: Black End caps: Black Socket inserts: Black Switch and dimmer button standard version: Blue Switch and dimmer button ESD electrostatical discharging version: Orange
LENGTH	370 mm
IP RATING	IP20
MAX. CONNECTION POWER	3500 W
OPERATING CURRENT	Max. 16 A
OPERATING TEMPERATURE	0 - 40° C
OPERATING VOLTAGE / FREQUENCY	230 V, AC / 50 Hz
PROTECTION CLASS	II (2)
PACK QUANTITY	1 piece
SPECIALS	Further colors, individually configured power strips on request
TIP	Compatible LED lamp see 6SL0040I.953 Compatible main power cable see 6SAME4J316B.2000 Compatible connection cable see 6ACP5J516B.2000 Compatible direct connector I, slot 8 see 099DC084040N08 Compatible direct connector I / B, Slot 8 / 10 see 099DC084045N10
TIP 2	Please note: Max. chaining of 6 modules, 8 m or 3500 watts for Module F Line



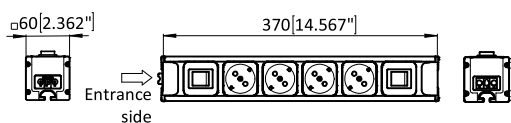
POWER STRIP MODULE F LINE 370 6-WAY 4X, INPUT SWITCHABLE, OUTPUT DIMMABLE

ESD	SLOT	SOCKET TYPE	WEIGHT [g]	PROFILE	PART #
	8	EU: CEE 7/3 (Type F)	699.0	I	6SBEU24DI.370
ESD	8	EU: CEE 7/3 (Type F)	699.0	I	6SBEU24DIE.370



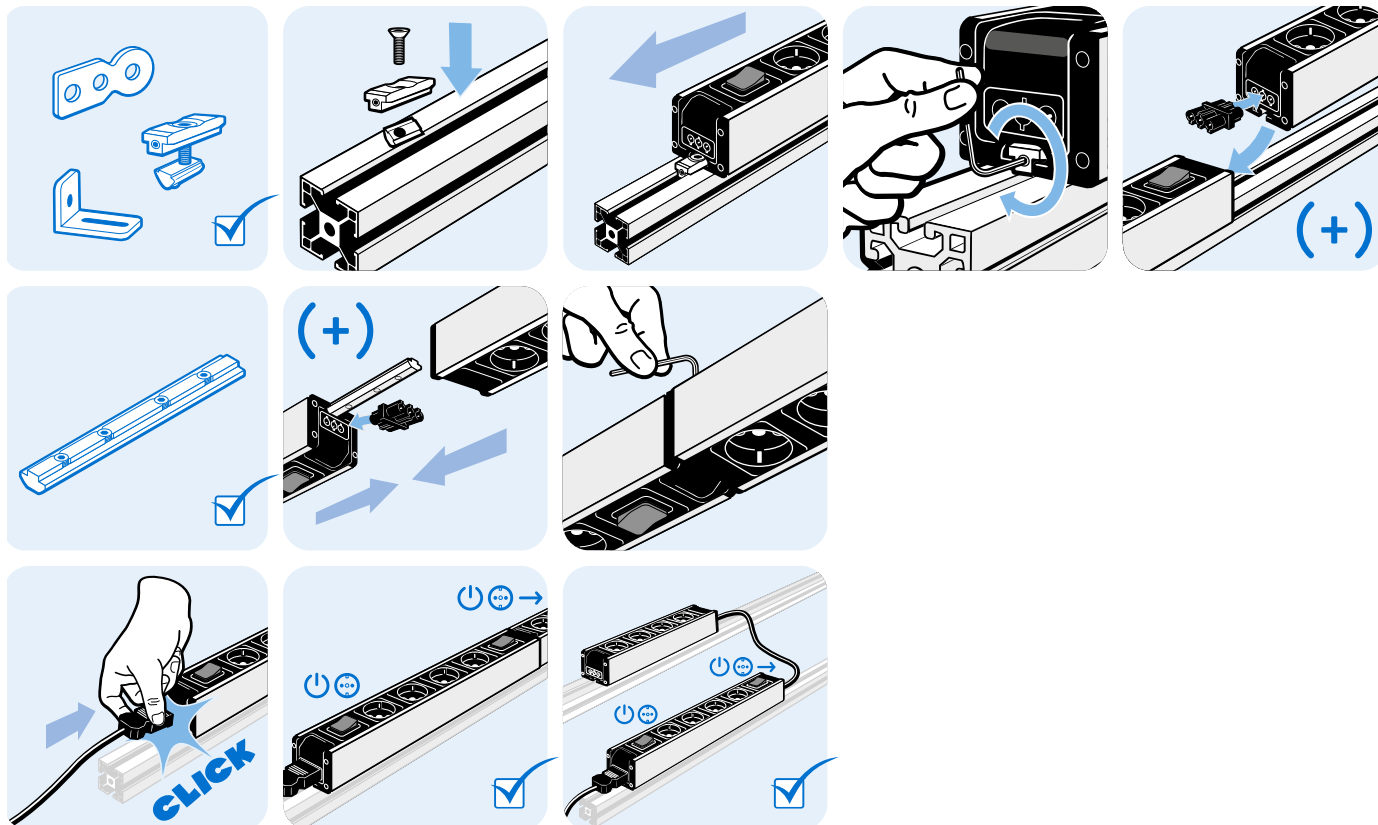
POWER STRIP MODULE F LINE 370 6-WAY 4X, INPUT SWITCHABLE, OUTPUT SWITCHABLE

DESCRIPTION	Switchable power strip with sockets for power supply at workstations; Switchable output of power strip; On the backside with slot 8 for mounting on aluminum profiles
MATERIAL	Housing: Aluminum End caps: Plastic PA, carbon fibre reinforced Socket inserts: Plastic PA Switches: Plastic ABS / PA
SURFACE	Housing standard version: Anodized Housing ESD electrostatical discharging version: Powder coated
COLOR	Housing standard version: - Housing ESD electrostatical discharging version: Black End caps: Black Socket inserts: Black Switch standard version: Blue Switch ESD electrostatical discharging version: Orange
LENGTH	370 mm
IP RATING	IP20
MAX. CONNECTION POWER	3500 W
OPERATING CURRENT	Max. 16 A
OPERATING TEMPERATURE	0 - 40° C
OPERATING VOLTAGE / FREQUENCY	230 V, AC / 50 Hz
PROTECTION CLASS	II [2]
PACK QUANTITY	1 piece
SPECIALS	Further colors, individually configured power strips on request
TIP	Compatible LED lamp see 6SL00401.953 Compatible main power cable see 6SAME4J316B.2000 Compatible connection cable see 6ACP5J516B.2000 Compatible direct connector I, slot 8 see 099DC084040N08 Compatible direct connector I / B, Slot 8 / 10 see 099DC084045N10
TIP 2	Please note: Max. chaining of 6 modules, 8 m or 3500 watts for Module F Line



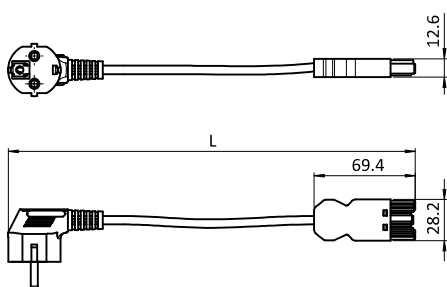
POWER STRIP MODULE F LINE 370 6-WAY 4X, INPUT SWITCHABLE, OUTPUT SWITCHABLE

ESD	SLOT	SOCKET TYPE	WEIGHT [g]	PROFILE	PART #
	8	EU: CEE 7/3 (Type F)	698.0	I	6SBEU24I.370
ESD	8	EU: CEE 7/3 (Type F)	698.0	I	6SBEU24IE.370



MAIN POWER CABLE GST18I3 FOR MODULE F LINE

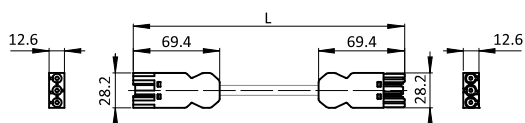
DESCRIPTION	3 wire cable for power supply of LED lamps and power strips Module F Line
MATERIAL	Cable insulation: Plastic PVC Plugs: Plastic PA
COLOR	Black
CABLE CROSS SECTION	1.5 mm ²
CABLE TYPE	H05VV-F
IP RATING	IP20
PERMANENT TEMPERATURE RESISTANCE	70° C
RATED CURRENT	16 A
RATED VOLTAGE	250 V
PACK QUANTITY	1 piece
TIP	Compatible power strip see 6SBEU24I.370 Compatible LED lamp see 6SL1040DI.953
TIP 2	Please note: Max. chaining of 6 modules, 8 m or 3500 watts for Module F Line



MAIN POWER CABLE GST18I3 FOR MODULE F LINE	L [mm]	WEIGHT [g]	PART #
Black	2000.0	262.8	6SAME4J316B.2000
Black	4000.0	445.0	6SAME4J316B.4000

CONNECTION CABLE GST18I3 FOR MODULE F LINE

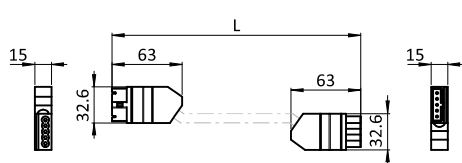
DESCRIPTION	3 wire cable to connect LED lamps and power strips Module F Line
MATERIAL	Cable insulation: Plastic PVC Plugs: Plastic PA
COLOR	Black
CABLE CROSS SECTION	1.5 mm ²
CABLE TYPE	H05VV-F
IP RATING	IP20
PERMANENT TEMPERATURE RESISTANCE	70° C
RATED CURRENT	16 A
RATED VOLTAGE	250 V
PACK QUANTITY	1 piece
TIP	Compatible power strip see 6SBEU14UI.370 Compatible LED lamp see 6SL1040DI.953
TIP 2	Please note: Max. chaining of 6 modules, 8 m or 3500 watts for Module F Line



CONNECTION CABLE GST18I3 FOR MODULE F LINE	L [mm]	WEIGHT [g]	PART #
Black	2000.0	221.9	6SACP3J316B.2000
Black	4000.0	381.5	6SACP3J316B.4000

CONNECTION CABLE GST1515 FOR MODULE F LINE

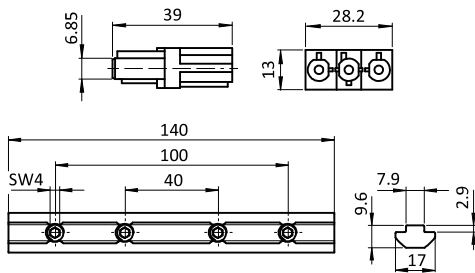
DESCRIPTION	5 wire cable to connect LED lamps with remote dimmer and power strips Module F Line
MATERIAL	Cable insulation: Plastic PVC Plugs: Plastic PA
COLOR	Black
CABLE CROSS SECTION	1.5 mm ²
CABLE TYPE	H05VV-F
IP RATING	IP20
PERMANENT TEMPERATURE RESISTANCE	70° C
RATED CURRENT	16 A
RATED VOLTAGE	250 V
PACK QUANTITY	1 piece
TIP	Compatible power strip see 6SBEU24DU.370 compatible LED lamp see 6SL0040I953
TIP 2	Please note: Max. chaining of 6 modules, 8 m or 3500 watts for Module F Line



CONNECTION CABLE GST1515 FOR MODULE F LINE	L [mm]	WEIGHT [g]	PART #
Black	2000.0	357.9	6SACP5J516B.2000
Black	4000.0	711.0	6SACP5J516B.4000

CONNECTION COUPLING GST18I3 FÜR MODULE F LINE (SET)

DESCRIPTION	3 pole coupling piece to directly connect LED lamps and power strips Module F Line
MATERIAL	Connection coupling: Plastic PA Connector T-slot nut: Steel
SURFACE	Connector T-slot nut: Zinc-plated
COLOR	Connection coupling: Black
IP RATING	IP20
PERMANTENT TEMPERATURE RESISTANCE	70° C
RATED CURRENT	20 A
RATED VOLTAGE	250 V
SET	1 connection coupling 1 connector T-slot nut 4 grub screws M8 x 10 mm
PACK QUANTITY	1 set
TIP	Compatible power strip see 6SBEU041.264 Compatible LED lamp see 6SL1040DI.476
TIP 2	Please note: Usage of connection coupling only in combination with connector T-slot nut permitted Max. chaining of 6 modules, 8 m or 3500 watts for Module F Line



CONNECTION COUPLING GST18I3 FÜR MODULE F LINE (SET)

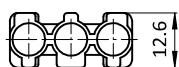
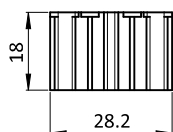
WEIGHT [g]

PART #

136.0 **6SAKP3J316BS01**

COVER CAP GST1813 FOR MODULE F LINE

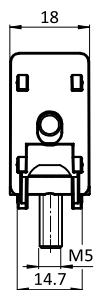
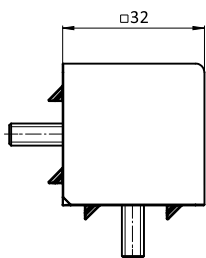
DESCRIPTION	Cover cap to cover three pole sockets of LED lamps and power strips Module F Line
MATERIAL	Plastic PA
COLOR	Black
PACK QUANTITY	100 pieces
TIP	Compatible power strip see 6SBEU24I.370 Compatible LED lamp see 6SL1040DI.953



COVER CAP GST1813 FOR MODULE F LINE	WEIGHT [g]	PART #
Black	2.0	063SGF3S01

FRAME CORNER CONNECTOR 18 X 32 FOR CLAMP PROFILE (SET)

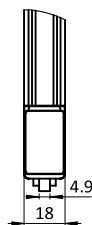
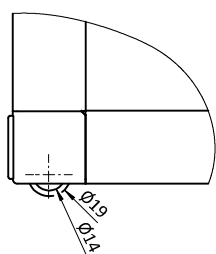
MODEL	Slot 8
DESCRIPTION	To connect two clamp profiles 18 x 32 at right angles
MATERIAL	Frame Corner Connector: Aluminum die-cast Screws: Steel
SURFACE	Frame Corner Connector: Laquered Screws: Zinc plated
COLOR	Frame Corner Connector: Alu color
SET	1 Frame Corner Connector, 2 screws ISO 7380 - M5 x 16
PACK QUANTITY	10 set
TIP	Compatible Sliding Door Guide Insert for Frame Corner Connector 18 x 32 (Set) see 093WWCI18321S01



WEIGHT [g]	PROFILE	PART #
25.9		093WWC1832N08S01

SLIDING DOOR GUIDE INSERT FOR FRAME CORNER CONNECTOR 18 X 32 (SET)

MODEL	Slot 5
DESCRIPTION	To guide lift or sliding doors in the slot of an aluminum profile, to insert in the frame corner connector 18 x 32 for clamp profile
MATERIAL	Guide insert: Plastic PA, glass fiber reinforced
COLOR	Guide insert: Gray ≈ RAL 7042
SET	1 guide insert, 1 cover cap, 1 stopper
PACK QUANTITY	10 set
TIP	Compatible frame corner connector 18 x 32 for clamp profile (Set) see 093WWC18321N08S01



WEIGHT [g]	PROFILE	PART #
10.2	I	093WWC18321S01