

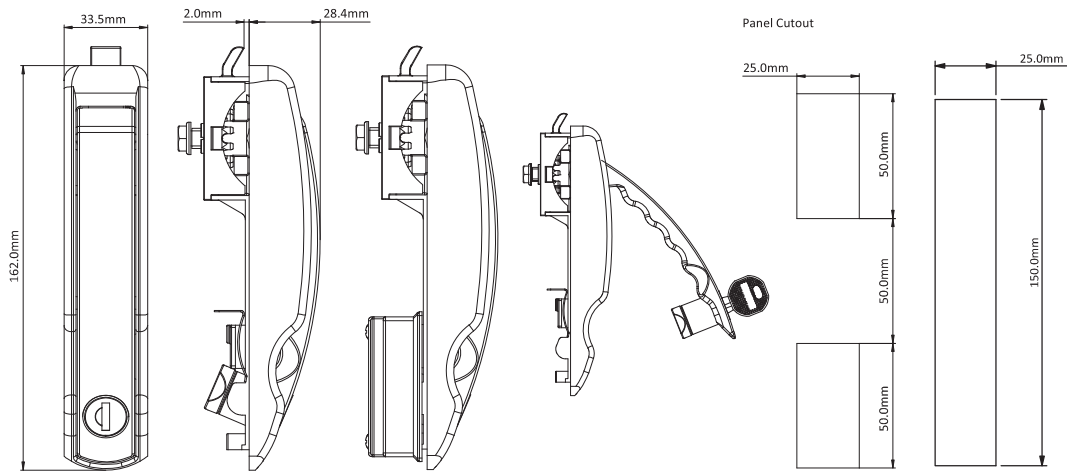
INDUSTRIAL HARDWARE

CHAPTER 4: **SWING HANDLES**

		
		
		
		
		
	CYLINDER LOCK LEVER HANDLE - CAM CONTROL	92
	CYLINDER LOCK SWING HANDLE - CAM CONTROL	93-95
	PROFILE CYLINDER SWING HANDLE - CAM CONTROL	96-97
	CYLINDER LOCK SWING HANDLE - CAM CONTROL	98
	PROFILE CYLINDER SWING HANDLE - CAM CONTROL	99
	PROFILE CYLINDER LOCK SWING HANDLE - CAM CONTROL	100
	CYLINDER LOCK SWING HANDLE - CAM CONTROL	101-105
	VANDAL RESISTANT SWING HANDLE	106
	PADLOCKABLE SWING HANDLE	107
	CYLINDER LOCK SWING HANDLE - ROD CONTROL	108-116
	PROFILE CYLINDER LOCK SWING HANDLE - ROD CONTROL	117
	CYLINDER LOCK SWING HANDLE - ROD CONTROL	118
	COMBINATION LOCK SWING HANDLE	119
	CYLINDER LOCK SWING HANDLE - ROD CONTROL	120
	CYLINDER LOCK SWING HANDLE - SPECIAL	121
	CYLINDER LOCK SWING HANDLE - ROD CONTROL	122

CYLINDER LOCK LEVER HANDLE - CAM CONTROL

DESCRIPTION	For easy and secure latching and locking of doors and flaps. Wide range of inserts, cams, and accessories.
MATERIAL	PA 30% glass filled Mounting bracket, push plate, baffle plate and pin: Stainless steel
SURFACE	Black
SPECIALS	Right and Left Keyed FH333



TOOL-LESS INSTALLATION COVER CAP INSTALLATION
 Mounting panel thickness 1.0-2.0mm



We can incorporate your company logo onto either the front or side of the handle upon request

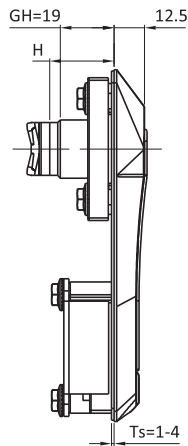
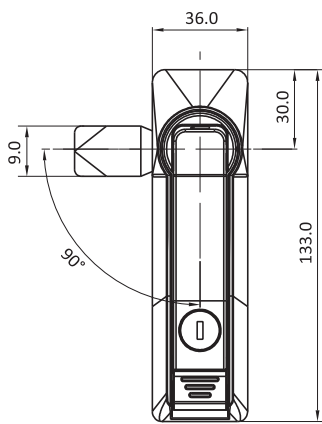
Examples above

Key Options	Mounting Options	Standard Operation	Spring Assist Operation	Constant Friction Operation
FH333	Tool-Less Installation	0813569	0813569S01	0813569S02
	Dust Cap Installation	0850111	0850111S01	0850111S02
FH2233	Tool-Less Installation	0813569S04	0813569S05	0813569S03
	Dust Cap Installation	0850111S04	0850111S05	0850111S03

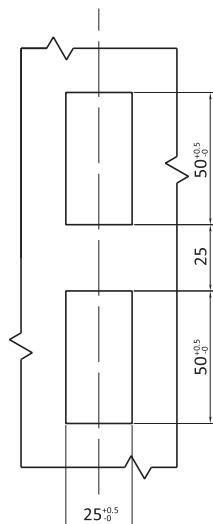


CYLINDER LOCK SWING HANDLE - CAM CONTROL

DESCRIPTION	For easy and secure latching and locking of doors and flaps. Wide range of inserts, cams, and accessories.
MATERIAL	Body: Die-cast zinc Hardware: Mild steel
SURFACE	Body: Black powder coated Hardware: Zinc plated
SPECIALS	Right and Left PUR foam gasket Keyed different on request FH751 key code on request Padlockable on request



Panel Cutout



Cylinder Lock Swing Handle - Cam Control
 FH333 key

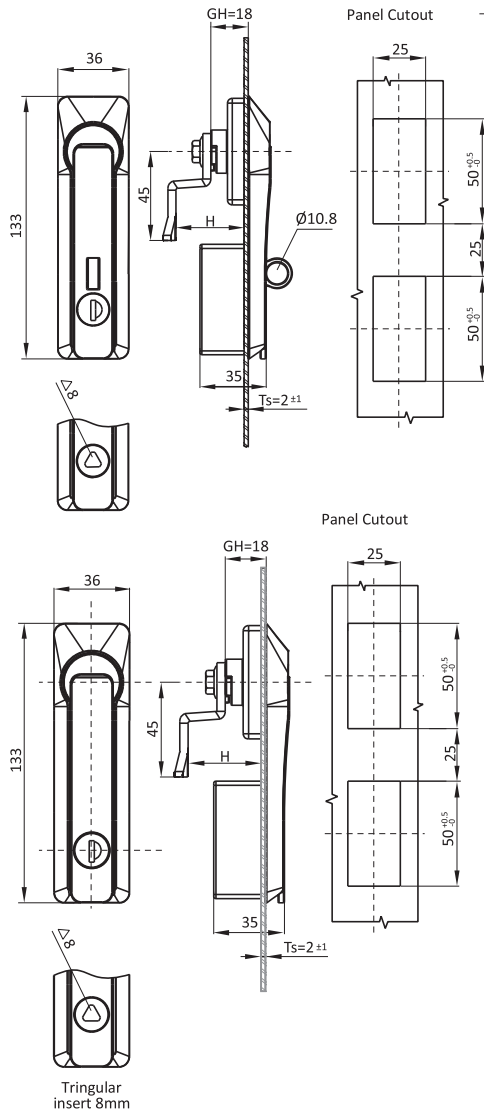
Part #
0813201

Compatible cams see pages 47, 213-228



CYLINDER LOCK SWING HANDLE - CAM CONTROL

DESCRIPTION	For easy and secure latching and locking of doors and flaps. Wide range of inserts, cams, and accessories.
MATERIAL	Body: PA, glass fiber reinforced Handle: Die cast zinc Shaft and hardware: Mild steel
COLOR	Body: Black
SURFACE	Shaft and hardware: Zinc plated
SPECIALS	Right and Left Unique key version on request FH751 key code on request

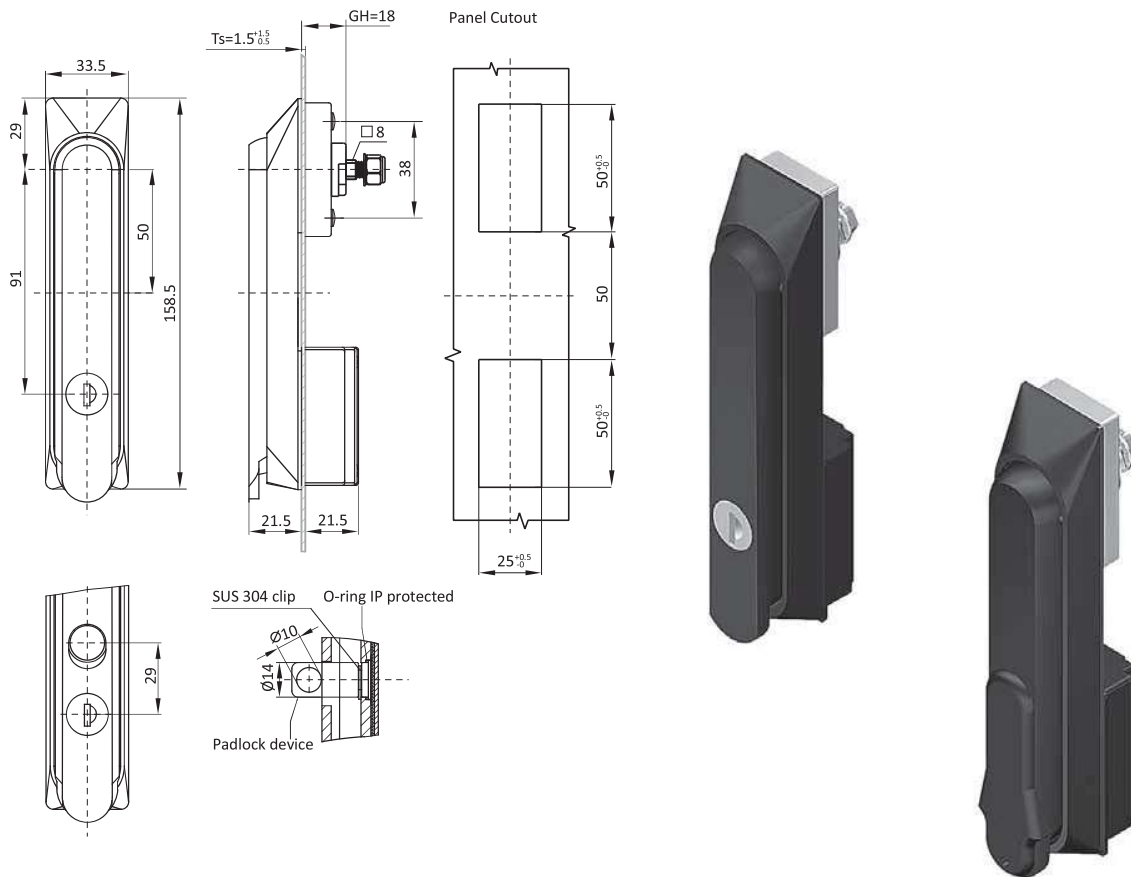


Cylinder Style	Padlock Compatible	Cam control black E-coated	Cam control black powder coated
With dust shutter and FH333 cylinder	Padlockable	0880025	0880029
	Without padlock	0880026	0880030
Triangle insert	Padlockable	0880027	0880031
	Without padlock	0880028	0880032

Compatible cams see pages 47, 213-228

CYLINDER LOCK SWING HANDLE - CAM CONTROL

DESCRIPTION	For easy and secure latching and locking of doors and flaps. Wide range of inserts, cams, and accessories.
MATERIAL	Body: PA, glass fiber reinforced Handle: Die cast zinc Shaft and hardware: Mild steel
COLOR	Body: Black
SURFACE	Shaft and hardware: Zinc plated
SPECIALS	Cam control Right and Left IP65 / NEMA 4 PUR Foam Gasket Unique key version on request FH751 key code on request Padlockable on request



Cylinder Style
 FH333 cylinder

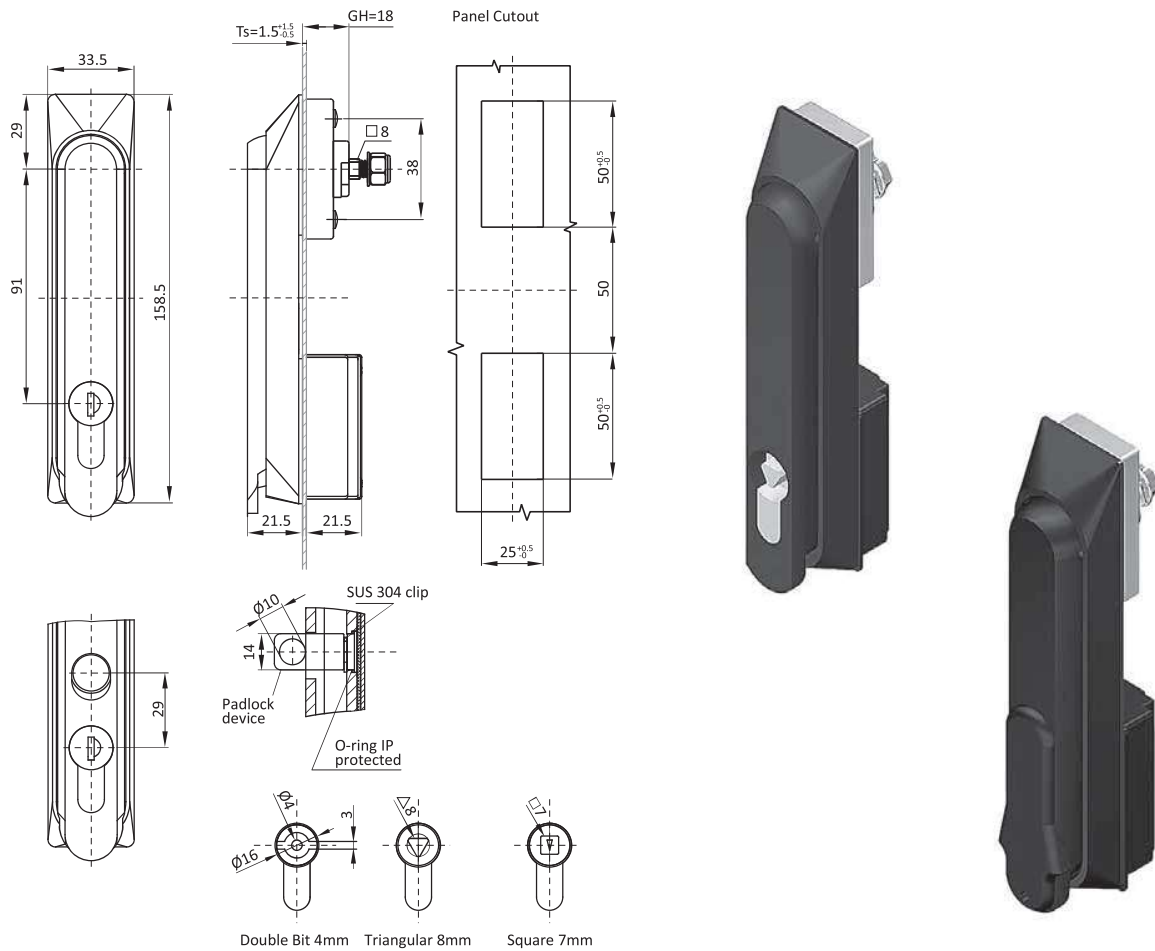
Cam control
 with dust shutter
0880001

Cam control
 without dust shutter
0880005

Compatible cams see pages 47, 213-228
 Chapter 5 and 9 for accessories

PROFILE CYLINDER SWING HANDLE - CAM CONTROL

DESCRIPTION	For easy and secure latching and locking of doors and flaps. Wide range of inserts, cams, and accessories.
MATERIAL	Body: PA, glass fiber reinforced Handle: Die cast zinc Shaft and hardware: Mild steel
COLOR	Body: Black
SURFACE	Shaft and hardware: Zinc plated
SPECIALS	Cam control Right and Left IP65 / NEMA 4 PUR Foam Gasket Unique key version on request FH751 key code on request Padlockable on request

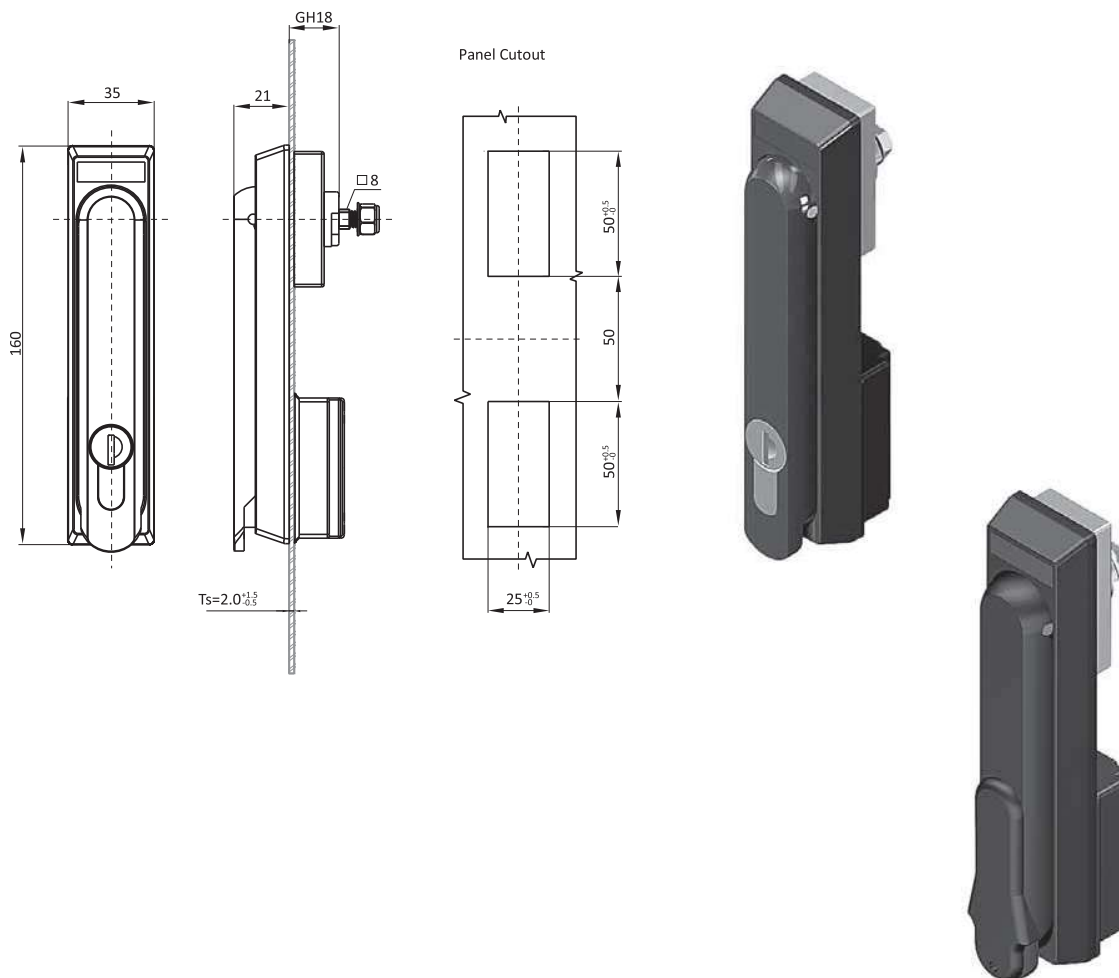


Cylinder Style	Cam control with dust shutter	Cam control without dust shutter
FH333 Profile DIN cylinder	0880009	0880013
Double bit 4mm	0880010	0880014
Triangular 8mm	0880012	0880016
Square 7mm	0880011	0880015

Compatible cams see pages 47, 213-228
 Chapter 5 and 9 for accessories
 Compatible profile cylinder page 124

PROFILE CYLINDER SWING HANDLE - CAM CONTROL

DESCRIPTION	For easy and secure latching and locking of doors and flaps. Wide range of inserts, cams, and accessories.
MATERIAL	Body: Die cast zinc Rod control: Zinc Hardware: Mild steel Padlock option: 304 SS
SURFACE	Black powder coated
SPECIALS	Cam controlled Unique key version on request FH751 key code on request Padlockable on request

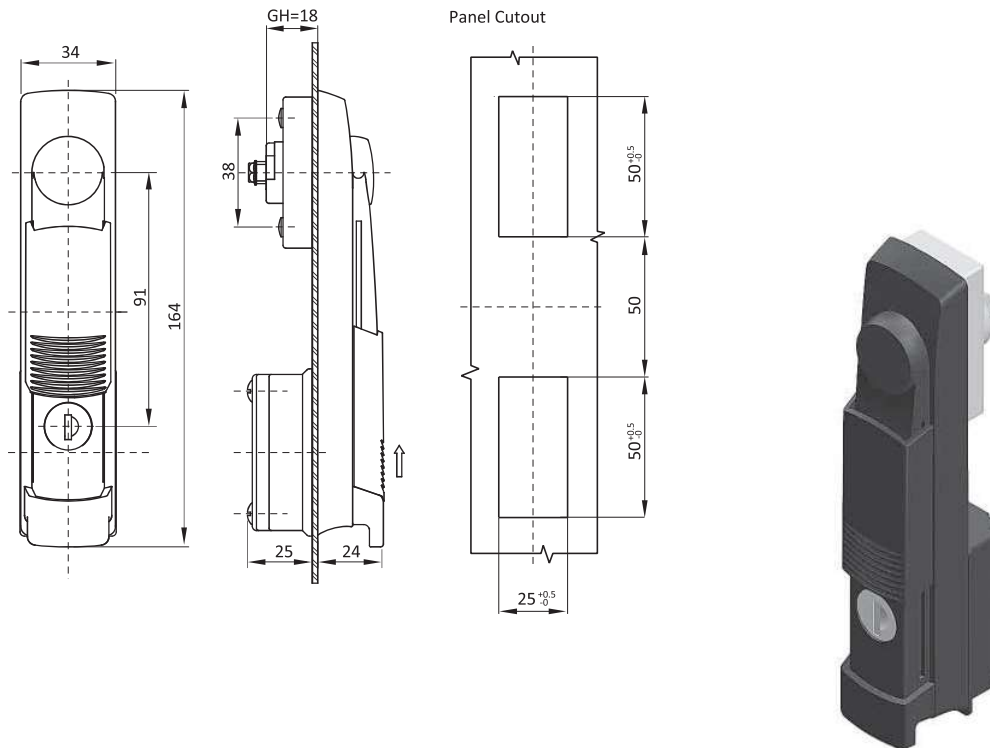


Cylinder Style	Cam control with dust shutter	Cam control without dust shutter
FH333 Profile DIN cylinder	0813154	0813155
Double bit 4mm	0813156	0813157
Square 7mm	0813158	0813159
Triangular 8mm	0813160	0813161

Compatible profile cylinders see page 124
 Compatible cams see pages 47, 213-228

CYLINDER LOCK SWING HANDLE - CAM CONTROL

DESCRIPTION	For easy and secure latching and locking of doors and flaps. Wide range of inserts, cams, and accessories.
MATERIAL	Body: PA, glass fiber reinforced Handle and shaft: Brass Hardware: MS
COLOR	Black
SURFACE	Hardware: Zinc plated
SPECIALS	With dust cover Cam actuated Unique key version on request FH751 key code on request

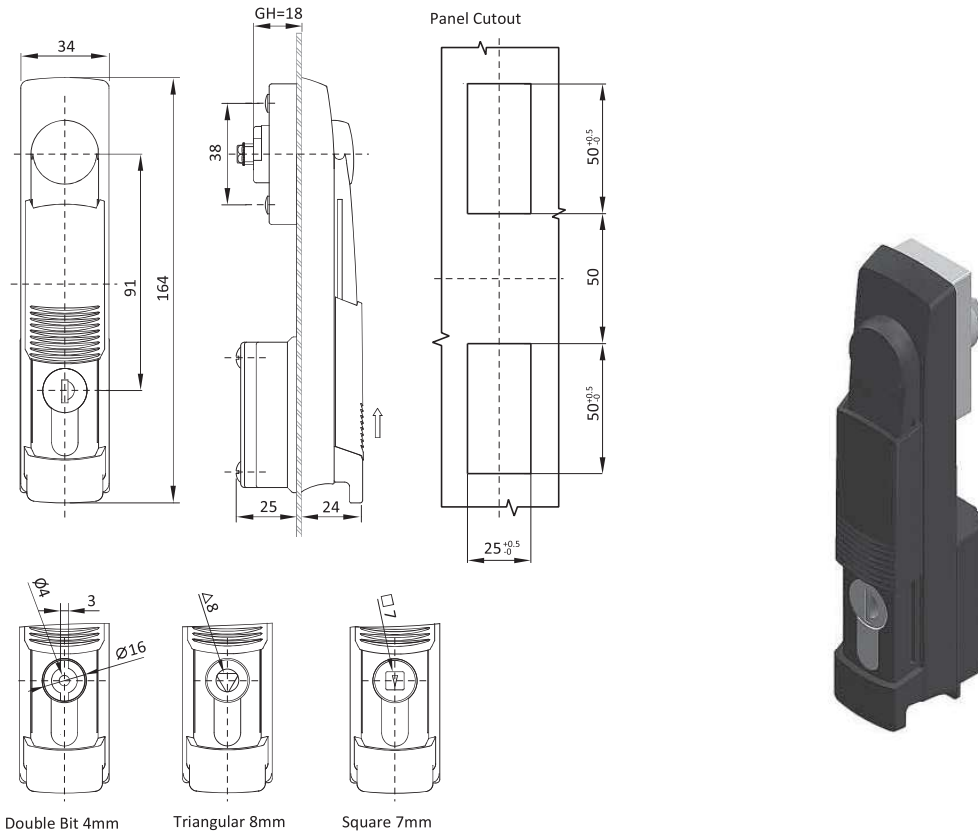


Cylinder Swing Handle	Cylinder Style	Part #
	FH333 round cylinder	0880017
	Double bit 4mm	0880018
	Square 7mm	0880019
	Triangular 8mm	0880020

Compatible cams see pages 47, 213-228

PROFILE CYLINDER SWING HANDLE - CAM CONTROL

DESCRIPTION	For easy and secure latching and locking of doors and flaps. Wide range of inserts, cams, and accessories.
MATERIAL	Body: PA, glass fiber reinforced Shaft: Brass Hardware: Mild steel
COLOR	Body: Black
SPECIALS	With dust cover Right and Left IP65 / NEMA 4 PUR Foam Gasket Unique key version on request FH751 key code on request



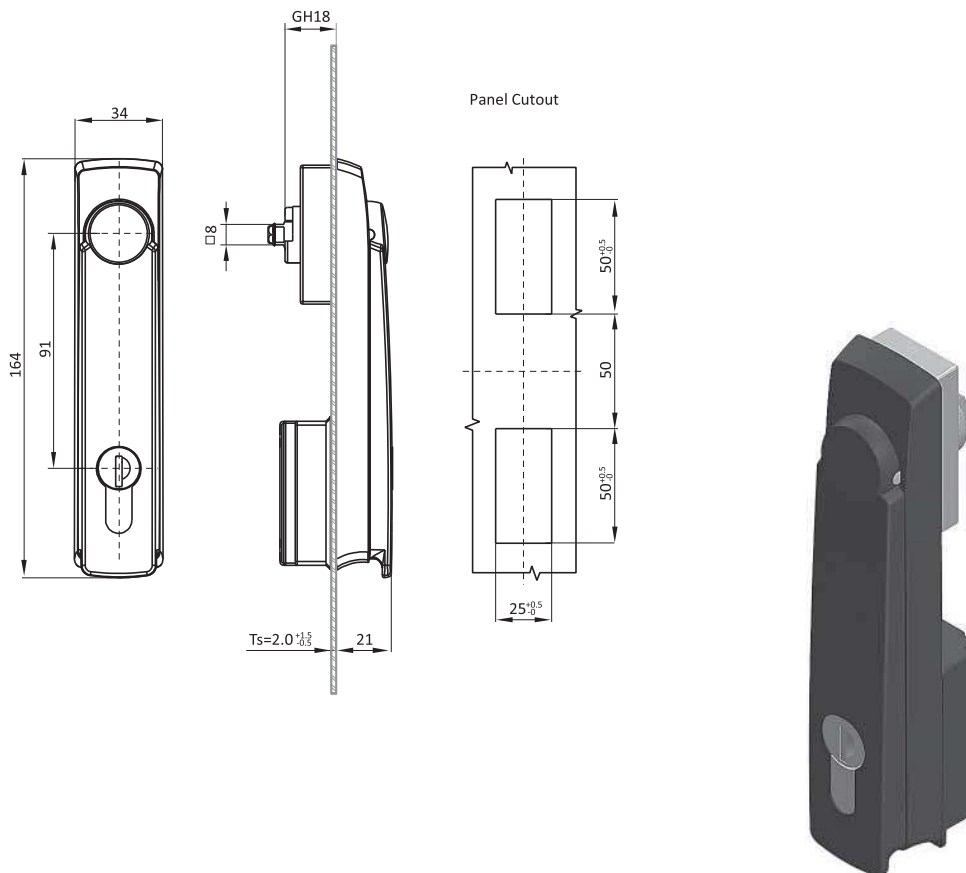
Profile Cylinder Swing Handle - Cam Control	Cylinder Style	Part #
	FH333 Profile DIN cylinder	0880021
	Square 7mm	0880023
	Triangular 8mm	0880024
	Double bit 4mm	0880022

Compatible profile cylinders see page 124
 Compatible cams see pages 47, 213-228



PROFILE CYLINDER LOCK SWING HANDLE - CAM CONTROL

DESCRIPTION	For easy and secure latching and locking of doors and flaps. Wide range of inserts, cams, and accessories.
MATERIAL	Body: PA, glass fiber reinforced Handle and shaft: Die-cast zinc
COLOR	Body: Black
SURFACE	Handle and shaft: Zinc plated
SPECIALS	Right and Left IP65 / NEMA 4 PUR Foam Gasket Unique key version on request FH751 key code on request Padlockable on request



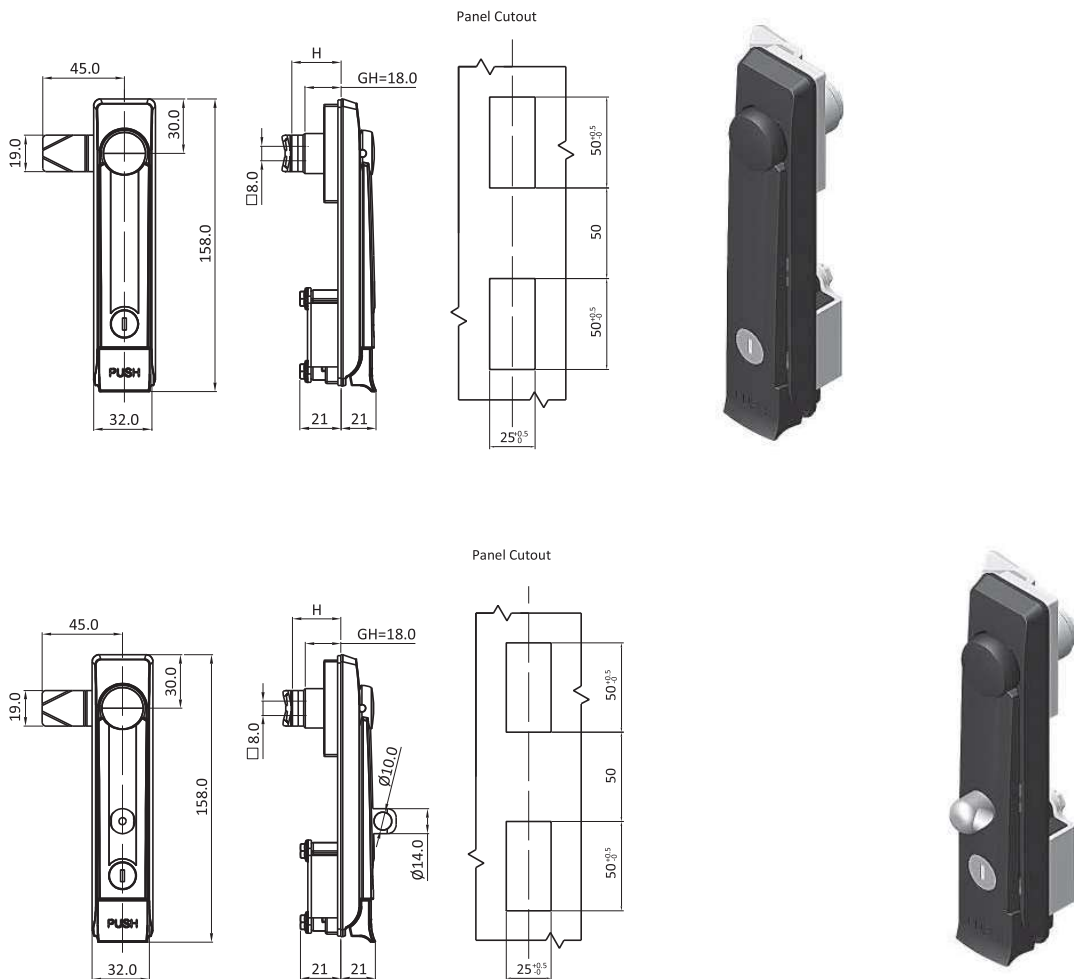
Profile Cylinder Swing Handle - Cam Control	Cylinder Style	Part #
	FH333 Profile DIN cylinder	0813180
	Double bit 4mm	0813181
	Square 7mm	0813182
	Triangular 8mm	0813183

Compatible cams see pages 47, 213-228



CYLINDER LOCK SWING HANDLE - CAM CONTROL

DESCRIPTION	For easy and secure latching and locking of doors and flaps. Wide range of inserts, cams, and accessories.
MATERIAL	Body, handle, and button: Die-cast zinc Cam and rod control: Mild steel
SURFACE	Body, handle, and button: Black powder coated Cam and rod control: Zinc plated
SPECIALS	Right and Left Unique key version on request Unique key version on request FH751 key code on request



Cylinder Lock Swing Handle - Cam Control

Padlock Compatible

Part #

Padlockable

0880037

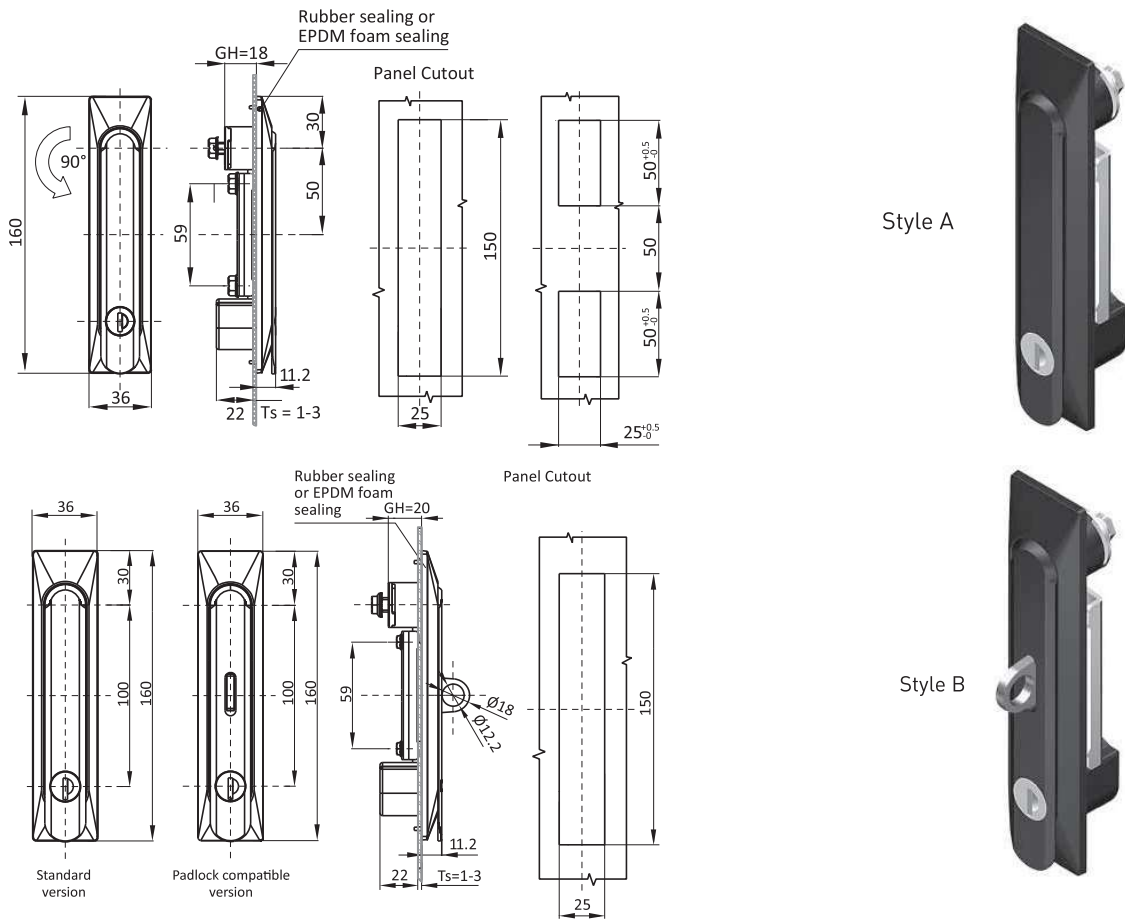
Without padlock

0880039

Compatible cams see pages 47, 213-228

CYLINDER LOCK SWING HANDLE - CAM CONTROL

DESCRIPTION	For easy and secure latching and locking of doors and flaps. Wide range of cams and accessories.
MATERIAL	Body: Die-cast zinc / PA, glass fiber reinforced Handle and shaft: Die-cast zinc Hardware: Mild steel
SURFACE	Black powder coated Hardware: Zinc plated
SPECIALS	Right and left Large Size Unique key version on request FH751 key code on request Padlock version on request

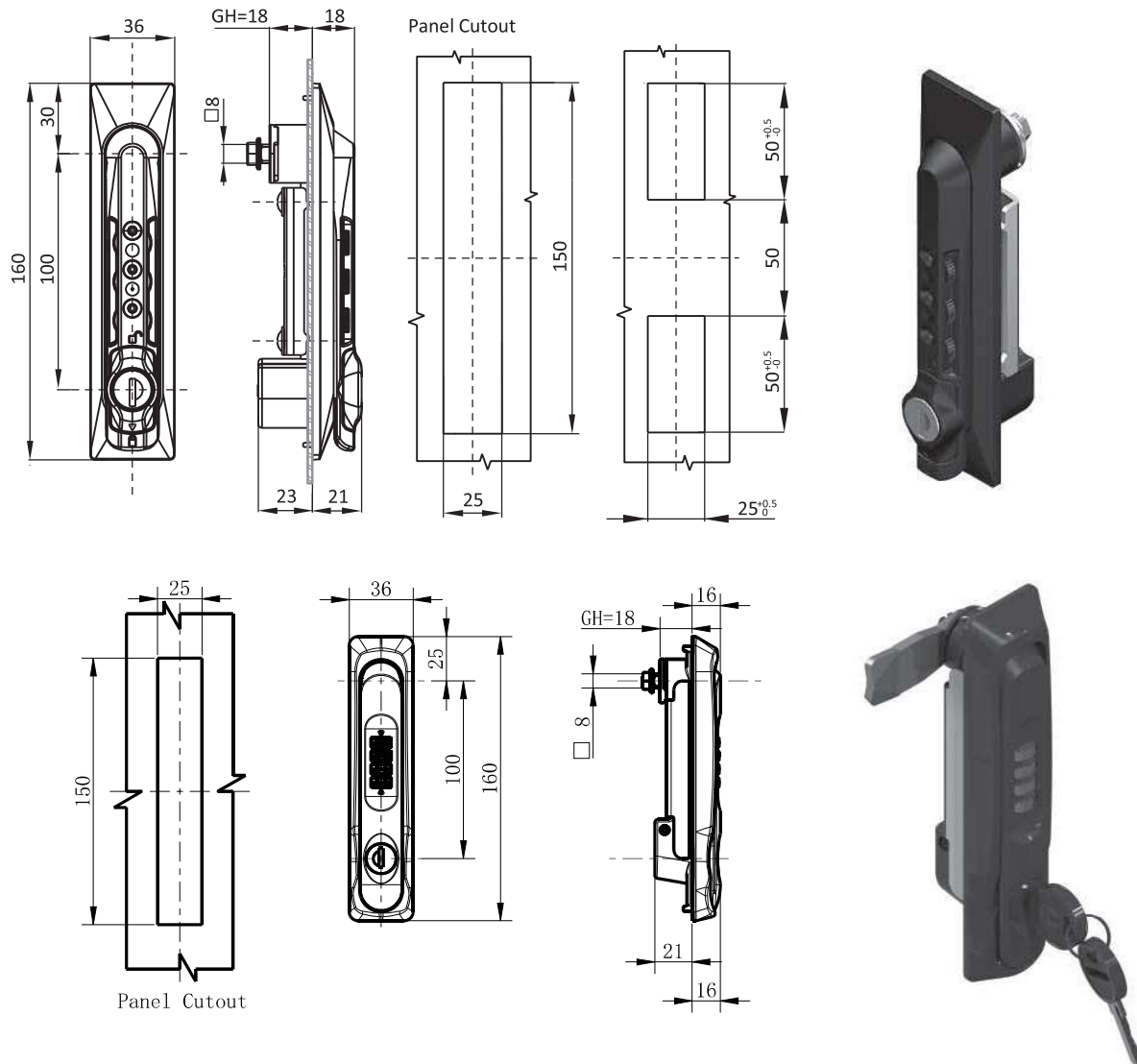


Profile Cylinder Swing Handle - Cam Control	Style	Insert	Padlock Hasp	GH (mm)	Part #
Die cast handle / PA housing	A	With FH333 key insert	N	18	0880043
Die cast handle / PA housing	A	With FH333 key insert	Y	18	0880043S03
Die cast handle / PA housing	B	With FH333 key insert	N	20	0880044
Die cast handle / PA housing	B	With FH333 key insert	Y	20	0880044S02
Die cast handle and housing	B	With FH333 key insert	N	20	0880045
Die cast handle and housing	B	With FH333 key insert	Y	20	0880045S05
Die cast handle and housing	B	8mm Square drive	N	18	0880045S01
Die cast handle and housing	B	With no key insert	Y	20	0880061
Die cast handle and housing	B	5/16 Female, 3mm Pin	Y	20	0880062S01

Compatible cams see pages 47, 213-228

COMBINATION LOCK SWING HANDLE - CAM STYLE

DESCRIPTION	For easy and secure latching and locking of doors and flaps. Wide range of cams and accessories.
MATERIAL	Body: PA, glass fiber reinforced Handle: PA, glass fiber reinforced Hardware: Mild steel
COLOR	Black
SPECIALS	Right and left Large Size Unique key version on request FH751 key code on request



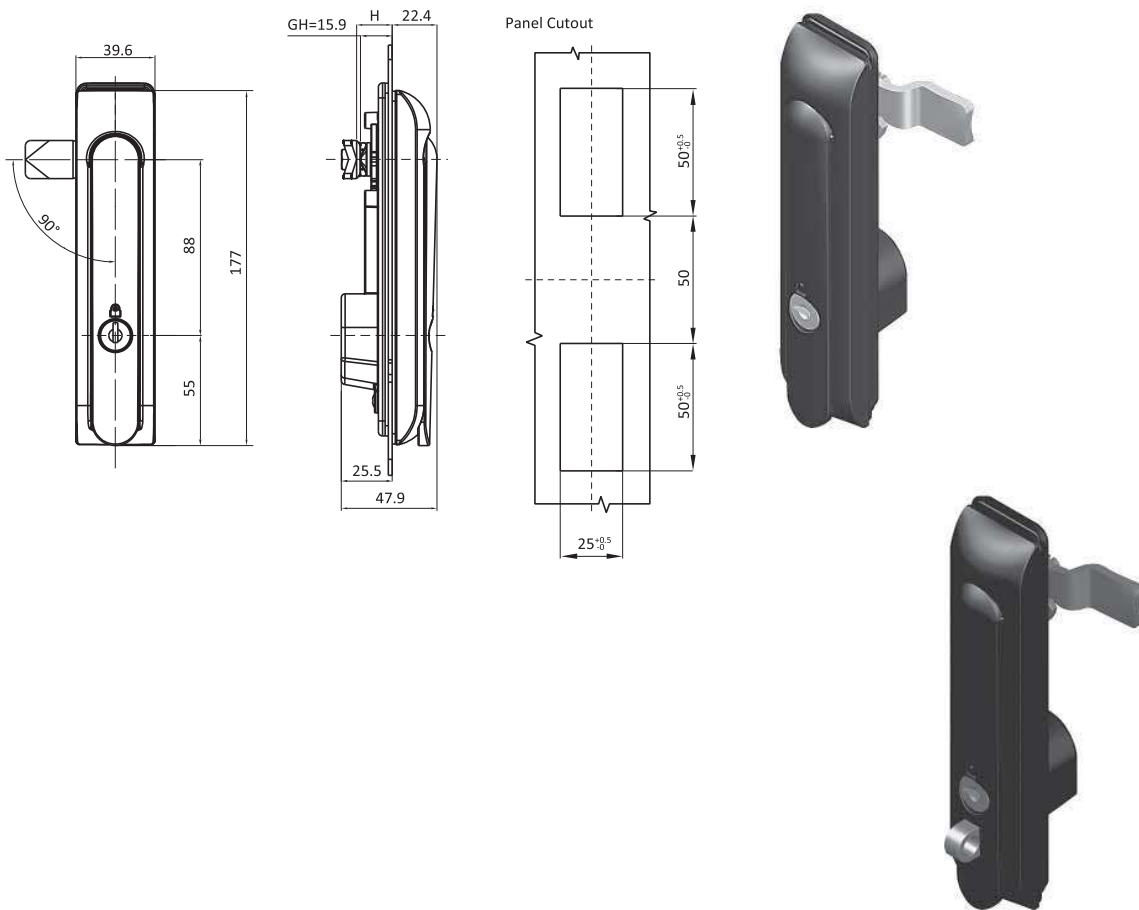
Combination Lock Swing Handle - Cam Control	Keyed	Number of Pins	Part #
	FH333	Three Pin	0880046
	FH333	Four Pin	0850180
	Custom Key Code Available	Four Pin	0850180-XXXX

Compatible cams see pages 47, 213-228



CYLINDER LOCK SWING HANDLE - CAM CONTROL

DESCRIPTION	For easy and secure latching and locking of doors and flaps. Wide range of inserts, cams, and accessories.
MATERIAL	Body: Die-cast zinc Shaft and rod control: Die-cast zinc Hardware: Mild steel
SURFACE	Body: Black powder coated / chrome plated Hardware, shaft and rod control: Zinc plated
SPECIALS	Right and Left IP65 / NEMA 4 Keyed different on request

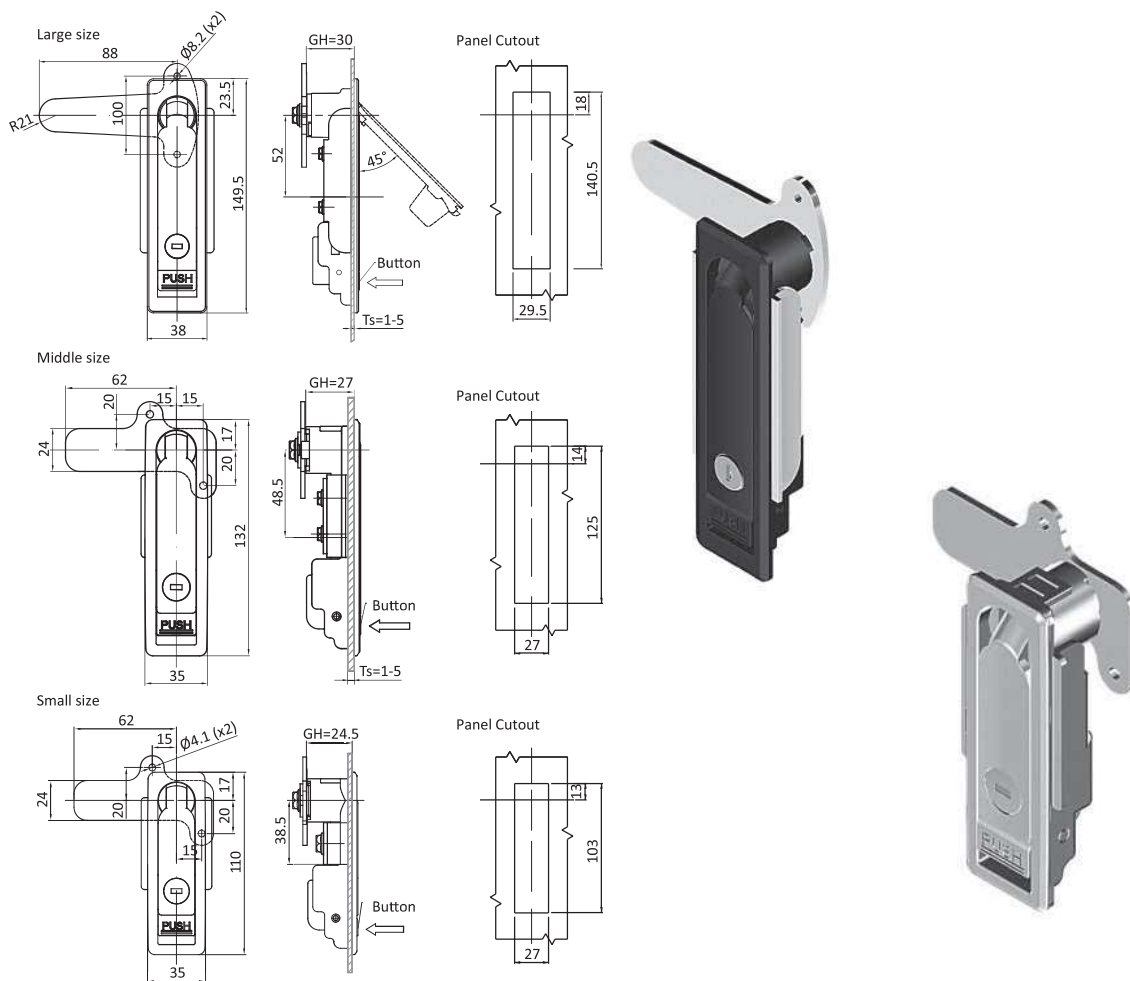


Cylinder Lock Swing Handle- Cam Control	Padlock Compatible	Black Powder Coated	Chrome Plated
FH751 cylinder	Without padlock	0813206	0813207

Compatible cams see pages 47, 213-228

CYLINDER LOCK SWING HANDLE - CAM CONTROL

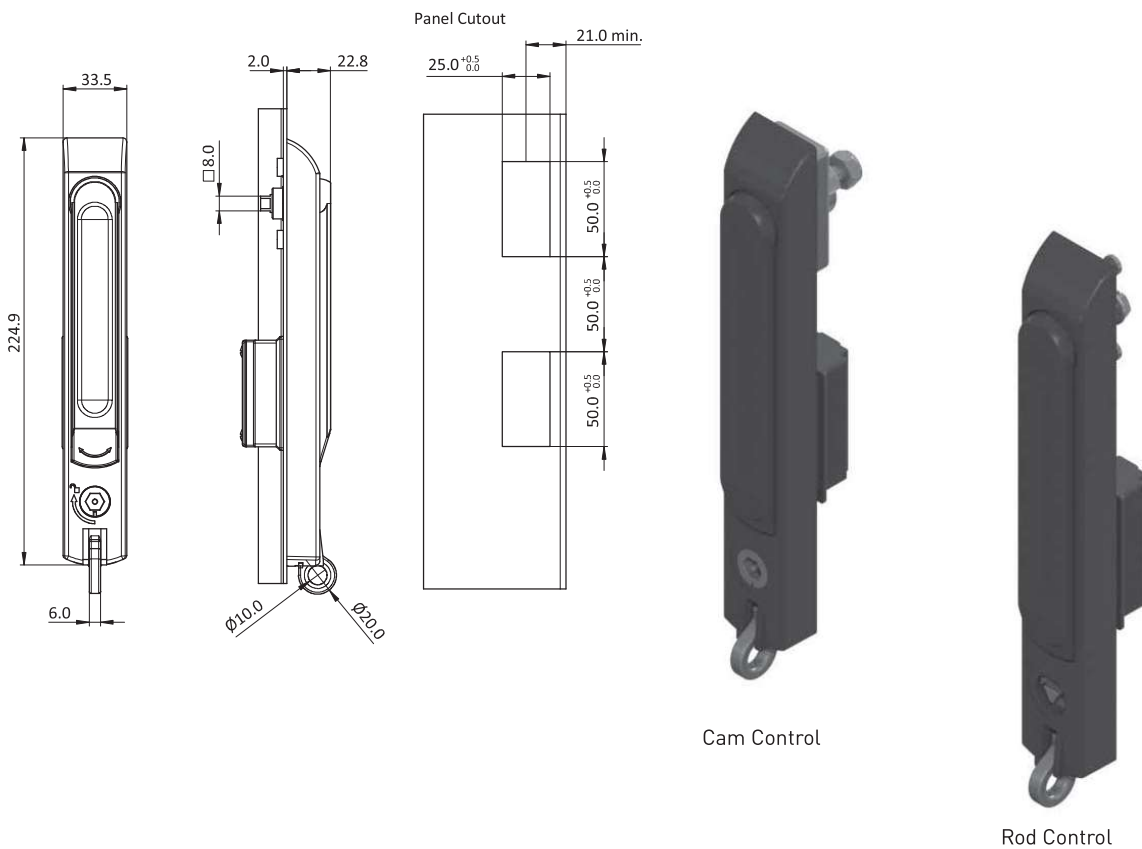
DESCRIPTION	For easy and secure latching and locking of doors and flaps. Wide range of inserts, cams, and accessories.
MATERIAL	Body: Die-cast zinc Cam: Mild steel
SURFACE	Body: Black powder coated / chrome plated Cam: Zinc plated
SPECIALS	Right and Left Push button lock Keyed FH333



Cylinder Lock Swing Handle- Cam Control	Size	Black Powder Coated	Chrome Plated
	Large	0813214	0813215
	Medium	0813216	0813217
	Small	0813491	0813218

VANDAL RESISTANT SWING HANDLE

DESCRIPTION	For easy and secure latching and locking of doors and flaps. Wide range of inserts, cams, and accessories.
MATERIAL	Base: PA, glass fiber reinforced Handle: Die cast zinc Remaining components: 316 SS
COLOR	Black
SPECIALS	Rod Control and Cam Control Right and Left IP65 / NEMA 4 Vandal Resistant Design Lock insert options on request

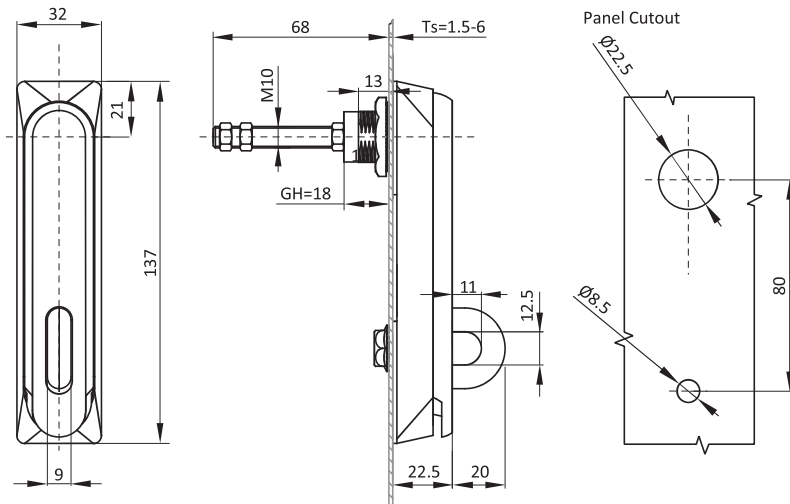


Vandal Resistant Swing Handle	TELCO 216 C 5/16 HEX WITH 0.125 PIN	TELCO 216 C 7/16 HEX	8mm Triangular Insert
Cam Control	0813478	0813479	0850184
Rod Control	0813179	0813475	0850185

Compatible cams see pages 47, 213-228

PADLOCKABLE SWING HANDLE

DESCRIPTION	For easy and secure latching and locking of doors and flaps. Wide range of inserts, cams, and accessories.
MATERIAL	316 SS / 304 SS
SPECIALS	Right and left IP65 / NEMA 4



Padlockable Swing Handle

Stainless Steel 304

Stainless Steel 316

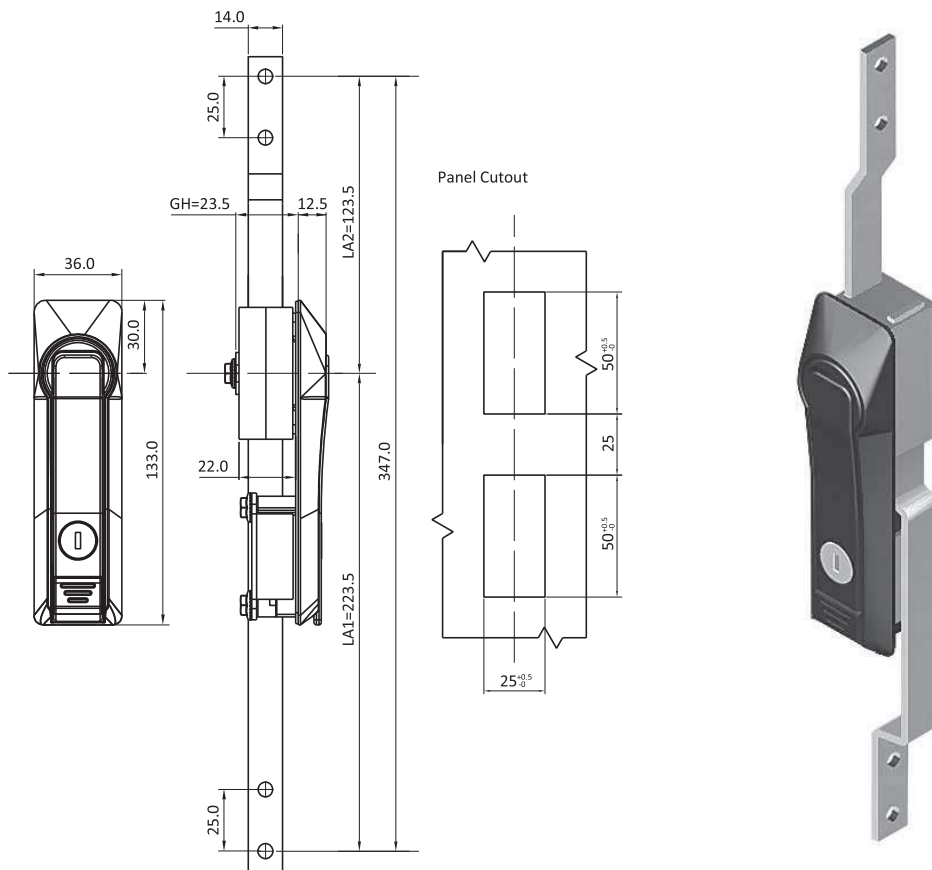
0880055

0880056

Compatible cams see pages 47, 213-228

CYLINDER LOCK SWING HANDLE - ROD CONTROL

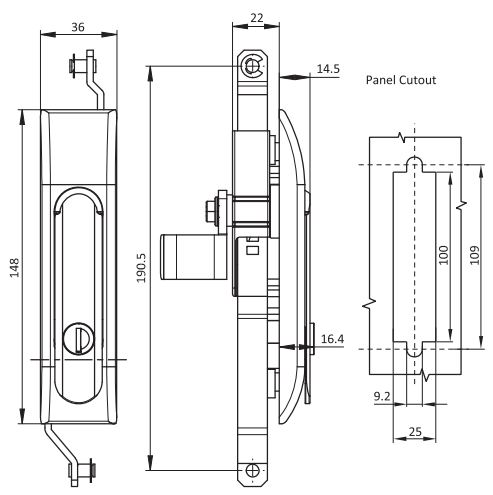
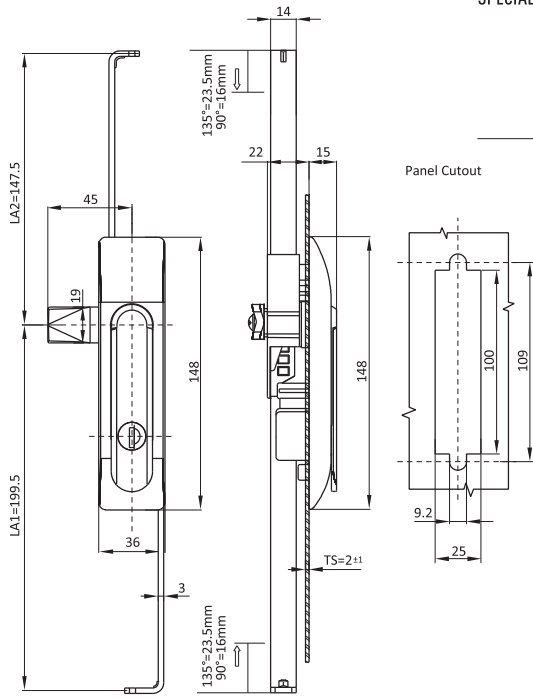
DESCRIPTION	For easy and secure latching and locking of doors and flaps. Wide range of inserts, cams, and accessories.
MATERIAL	Body: Die-cast zinc Shaft and rod control: Die-cast zinc Hardware: Mild steel
SURFACE	Body: Black powder coated Hardware, shaft and rod control: Zinc plated
SPECIALS	Right and Left IP65 / NEMA 4 PUR foam gasket 1193 Series Rod Control Keyed different on request FH751 key code on request Padlockable on request



ROD CONTROL SHOWN AS REFERENCE ONLY

CYLINDER LOCK SWING HANDLE - ROD CONTROL

DESCRIPTION	For easy and secure latching and locking of doors and flaps. Wide range of inserts, cams, and accessories.
MATERIAL	Body: PA, glass fiber reinforced Handle: Die-cast zinc Hardware: Mild steel
SURFACE	Body and handle: Black textured powder coated / silver grey powder coated Hardware: Zinc plated
SPECIALS	Right and Left IP65 / NEMA 4 Unique key version on request FH751 key code on request Padlockable on request Keyed FH333



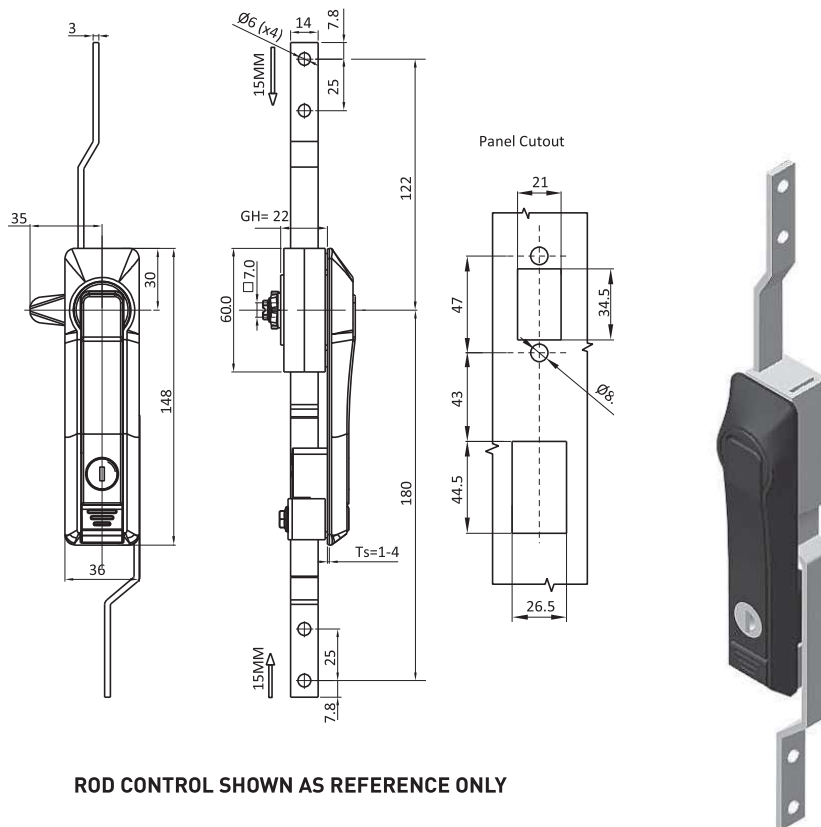
ROD CONTROL SHOWN AS REFERENCE ONLY

Rod control	Black Textured Powder Coated 0811033	Silver Grey Powder Coated 0820141S01
-------------	--	--

Compatible Rod Control see page 116-117
 Chapter 5 and 9 for accessories

CYLINDER LOCK SWING HANDLE - ROD CONTROL

DESCRIPTION	For easy and secure latching and locking of doors and flaps. Wide range of inserts, cams, and accessories.
MATERIAL	Body: Die cast zinc Handle: Die cast zinc Hardware: Mild steel
SURFACE	Black powder coated / zinc plated
SPECIALS	Right and Left IP65 / NEMA 4 Keyed FH333 PUR Foam Gasket



ROD CONTROL SHOWN AS REFERENCE ONLY

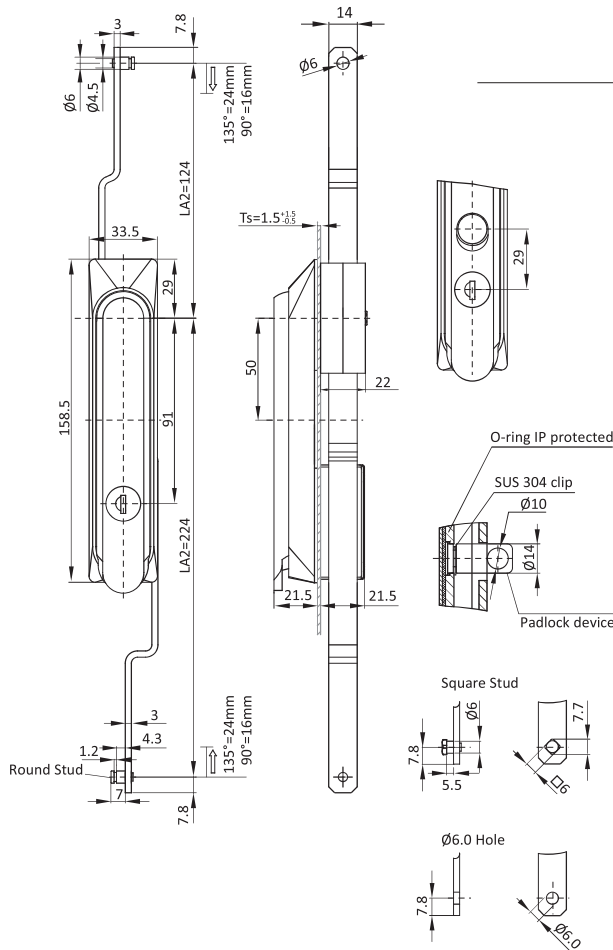
	Rod Control	Satin Chrome Plated	Black Powder Coated
With cylinder lock FH333, push to open	Rod control	0880033	0880034
	2 point rod control	0820101	0820102

Compatible Rod Control see page 116-117
 Chapter 5 and 9 for accessories



CYLINDER LOCK SWING HANDLE - ROD CONTROL

DESCRIPTION	For easy and secure latching and locking of doors and flaps. Wide range of inserts, cams, and accessories.
MATERIAL	Body: PA, glass fiber reinforced Shaft and hardware: Mild steel
COLOR	Body: Black
SURFACE	Shaft and hardware: Zinc plated
SPECIALS	Right and Left IP65 / NEMA 4 PUR Foam Gasket Rod Control Unique key version on request FH751 key code on request Padlockable on request



ROD CONTROL SHOWN AS REFERENCE ONLY

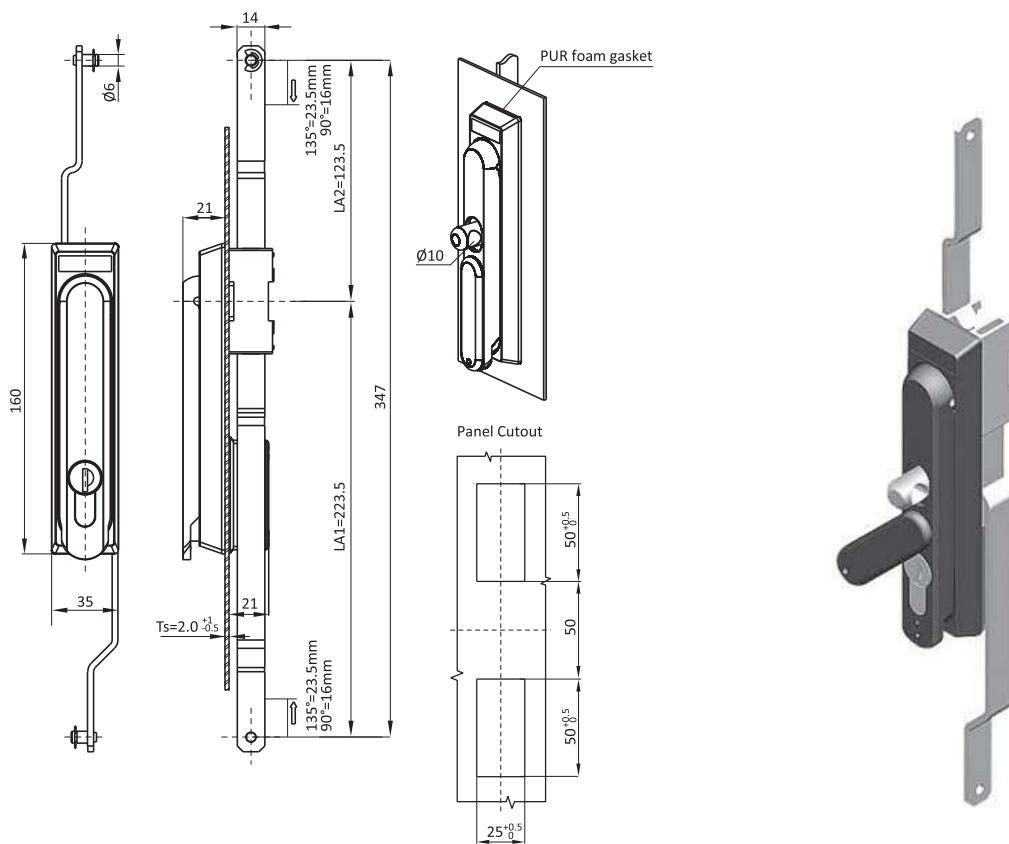
	Cylinder Style	with dust shutter	without dust shutter
Rod Control	FH333 round cylinder	0820011	0820015
	Double bit 4mm	0820012	0820016
	Square 7mm	0820013	0820017
	Triangular 8mm	0820014	0820018

Compatible rod controls see page 112-113
 Chapter 5 and 9 for accessories



CYLINDER LOCK SWING HANDLE - ROD CONTROL

DESCRIPTION	For easy and secure latching and locking of doors and flaps. Wide range of inserts, cams, and accessories.
MATERIAL	Die-cast zinc
SURFACE	Black powder coated
SPECIALS	Rod Control Right and Left IP65 / NEMA 4 Unique key version on request FH751 key code on request Comes with padlock hasp



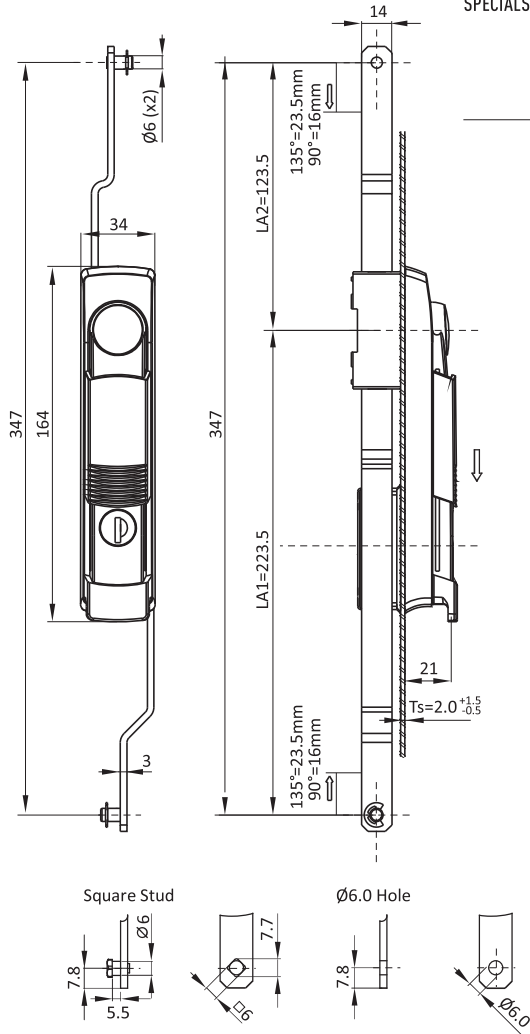
ROD CONTROL SHOWN AS REFERENCE ONLY

	Cylinder Style	with dust shutter	without dust shutter
Rod Control	FH333 Profile DIN cylinder	0813162	0813163
	Double bit 4mm	0813166	0813167
	Square 7mm	0813170	0813171
	Triangular 8mm	0813174	0813175

Compatible profile cylinders see page 124
 Compatible rod controls see pages 112-113

CYLINDER LOCK SWING HANDLE - ROD CONTROL

DESCRIPTION	For easy and secure latching and locking of doors and flaps. Wide range of inserts, cams, and accessories.
MATERIAL	Body: PA, glass fiber reinforced Rod control and shaft: Die-cast zinc Hardware: Mild steel
COLOR	Body: Black
SURFACE	Shaft: Zinc plated
SPECIALS	Right and Left IP65 / NEMA 4 PUR Foam Gasket Unique key version on request FH751 key code on request



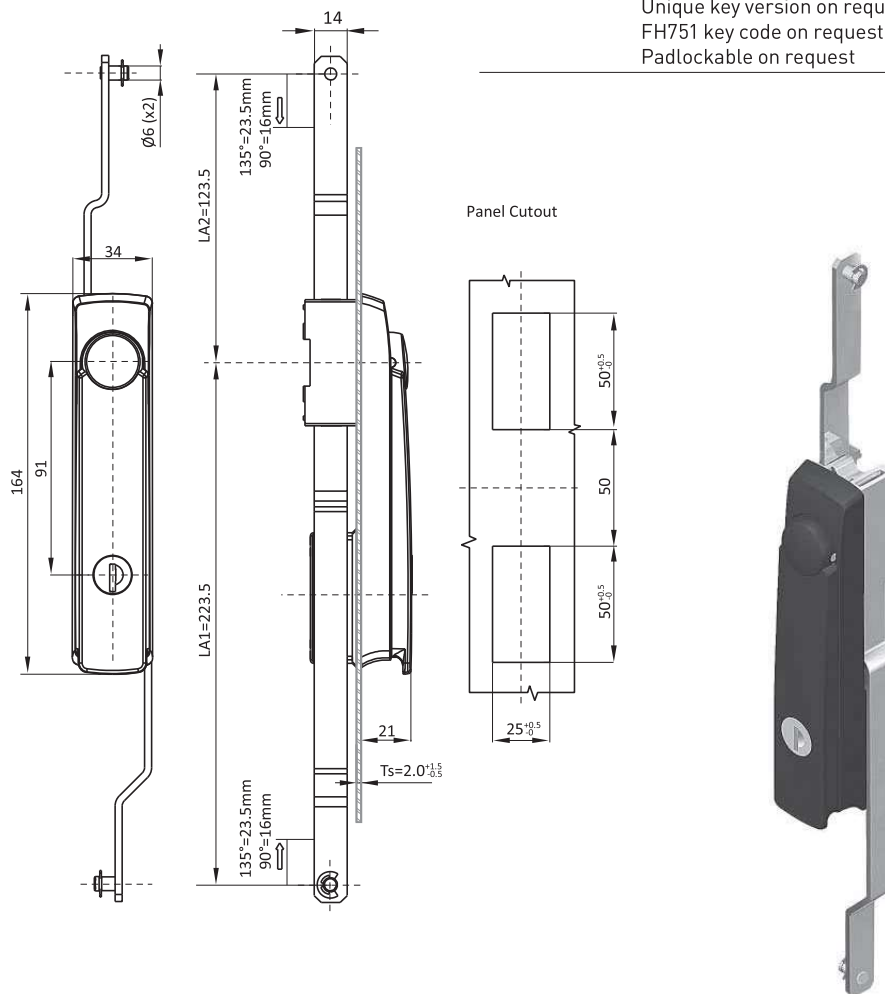
ROD CONTROL SHOWN AS REFERENCE ONLY

	Cylinder Style	With Dust shutter
Rod Control	FH333 round cylinder	0820055
	Double bit 4mm	0820056
	Square 7mm	0820057
	Triangular 8mm	0820058

Compatible Rod Control see page 116-117

CYLINDER LOCK SWING HANDLE - ROD CONTROL

DESCRIPTION	For easy and secure latching and locking of doors and flaps. Wide range of inserts, cams, and accessories.
MATERIAL	Body: PA, glass fiber reinforced Handle, shaft and rod control: Die-cast zinc Hardware: Mild steel
COLOR	Body: Black
SPECIALS	Right and Left IP65 / NEMA 4 PUR Foam Gasket Unique key version on request FH751 key code on request Padlockable on request



ROD CONTROL SHOWN AS REFERENCE ONLY

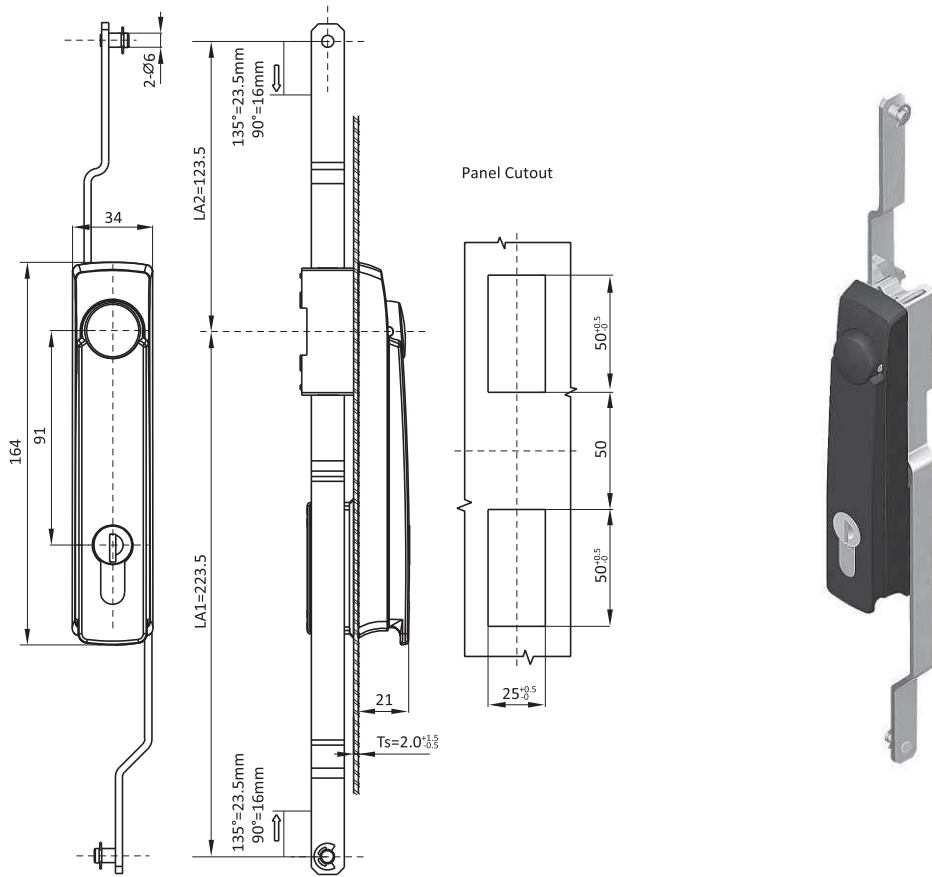
Cylinder lock keyed FH333

Part #
0820004
0820005

Compatible Rod Control see page 116-117
 Chapter 5 and 9 for accessories

PROFILE CYLINDER LOCK SWING HANDLE - ROD CONTROL

DESCRIPTION	For easy and secure latching and locking of doors and flaps. Wide range of inserts, cams, and accessories.
MATERIAL	Body: PA, glass fiber reinforced Handle, shaft and rod control: Die-cast zinc Hardware: Mild steel
COLOR	Body: Black
SURFACE	Handle, shaft and rod control: Die-cast zinc Zinc plated
SPECIALS	Right and Left IP65 / NEMA 4 PUR Foam Gasket Unique key version on request FH751 key code on request Padlockable on request



ROD CONTROL SHOWN AS REFERENCE ONLY

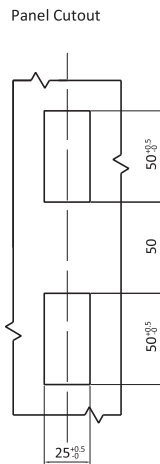
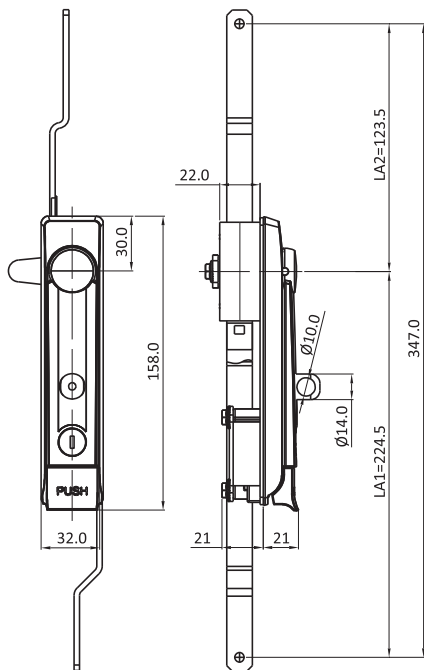
		Part #
Rod Control	FH333 Profile DIN cylinder	0813184
	Double bit 4mm	0813185
	Square 7mm	0813186
	Triangular 8mm	0813187

Compatible Rod Control see page 116-117
 Chapter 5 and 9 for accessories



CYLINDER LOCK SWING HANDLE - ROD CONTROL

DESCRIPTION	For easy and secure latching and locking of doors and flaps. Wide range of inserts, cams, and accessories.
MATERIAL	Body, handle, and button: Die-cast zinc Cam and rod control: Mild steel
SURFACE	Body, handle, and button: Black powder coated Cam and rod control: Zinc plated
SPECIALS	Right and Left IP65 / NEMA 4 Unique key version on request Unique key version on request FH751 key code on request Padlockable on request



ROD CONTROL SHOWN AS REFERENCE ONLY

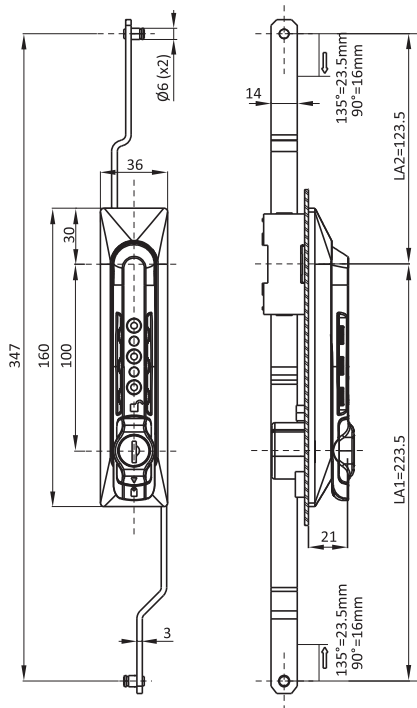
Keyed FH333	Padlockable	Part #
	Without padlock	

Compatible Rod Control see page 116-117
 Chapter 5 and 9 for accessories

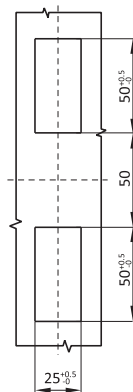


COMBINATION LOCK SWING HANDLE

DESCRIPTION	For easy and secure latching and locking of doors and flaps. Wide range of inserts, cams, and accessories.
MATERIAL	Body: PA, glass fiber reinforced Shaft, and rod control: Die-cast zinc Hardware: Mild steel
SURFACE	Black powder coated Hardware: Zinc plated
SPECIALS	Right and Left IP65 / NEMA 4 PUR foam gasket Unique key version on request FH751 key code on request



Panel Cutout



ROD CONTROL SHOWN AS REFERENCE ONLY

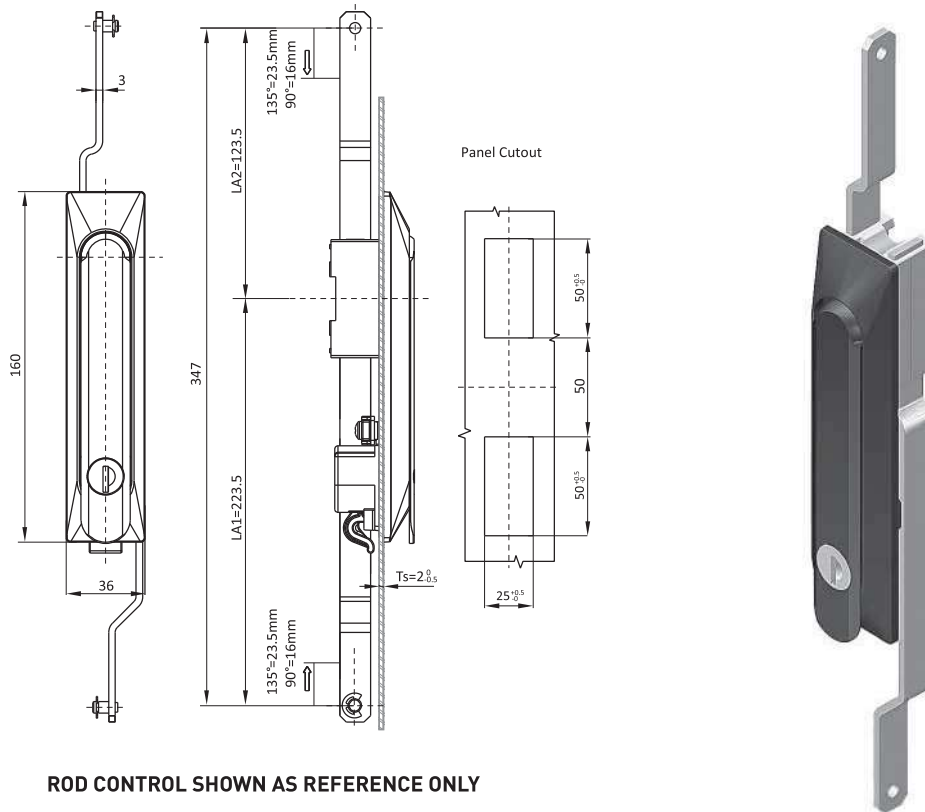
Combination lock and FH333 key

Part #
0813194

Compatible cams see pages 47, 213-228
 Compatible Rod Control see page 116-117

CYLINDER LOCK SWING HANDLE - ROD CONTROL

DESCRIPTION	For easy and secure latching and locking of doors and flaps. Wide range of inserts, cams, and accessories.
MATERIAL	Body: PA, glass fiber reinforced Handle, shaft, and rod control: Die-cast zinc Hardware: Mild steel
SURFACE	Black powder coated Hardware: Zinc plated
SPECIALS	Right and Left IP65 / NEMA 4 PUR foam gasket Unique key version on request FH751 key code on request Padlockable on request



ROD CONTROL SHOWN AS REFERENCE ONLY

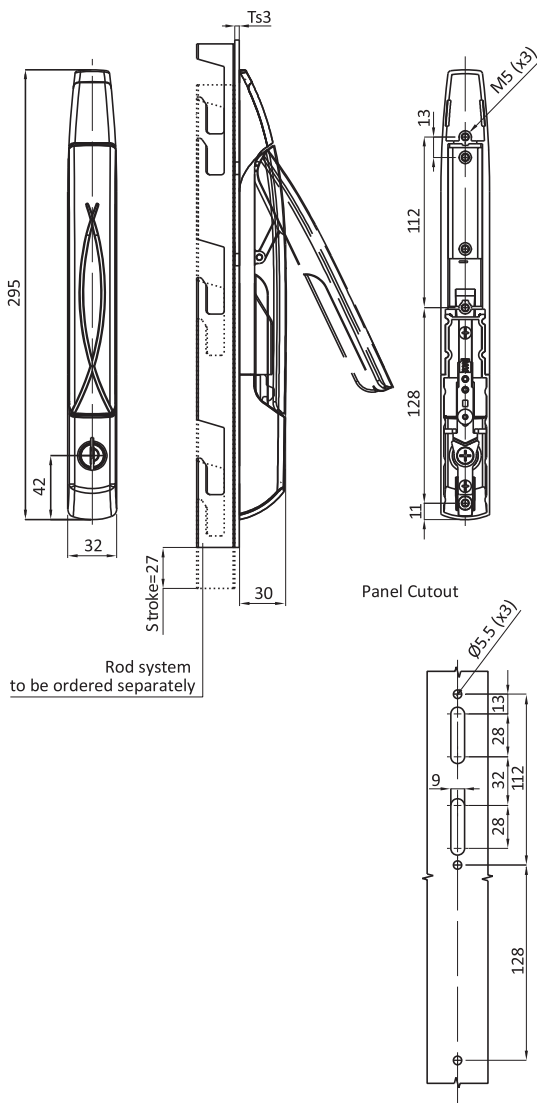
Keyed FH333

Part #
0813192

Compatible Rod Control see page 116-117
 Chapter 5 and 9 for accessories

CYLINDER LOCK SWING HANDLE - SPECIAL

DESCRIPTION	For easy and secure latching and locking of doors and flaps. Wide range of inserts, cams, and accessories.
MATERIAL	Body: Die-cast zinc Mounting bracket, push plate, baffle plate and pin: Stainless steel
SURFACE	Body: Black powder coated / RAL 7032 powder coated
SPECIALS	Right and Left IP65 / NEMA 4 PUR foam gasket



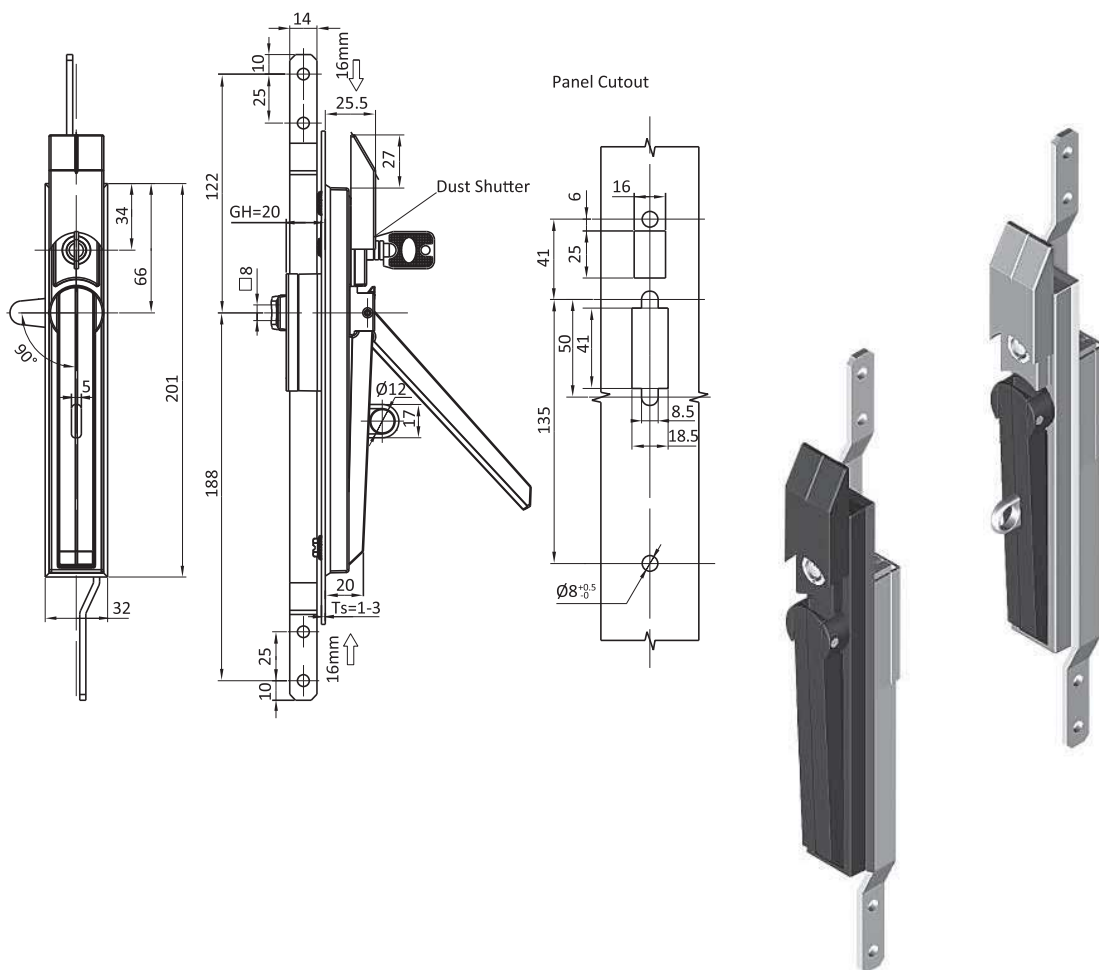
Cylinder Lock Swing Handle – Cam Control
 Keyed FH333

Black Powder Coated
0813204

RAL 7032 Powder Coated
0813205

CYLINDER LOCK SWING HANDLE - ROD CONTROL

DESCRIPTION	For easy and secure latching and locking of doors and flaps. Wide range of inserts, cams, and accessories.
MATERIAL	Body and handle: Die-cast zinc Rod control: 316 SS
SURFACE	Body and handle: Black powder coated / RAL 7032 powder coated
SPECIALS	Rod control



Cylinder Lock Swing Handle - Cam Control

Control

Black Powder Coated

RAL 7032 Powder Coated

3 point rod control

0811035

0811036

Compatible Rod Control see page 116-117
 Chapter 5 and 9 for accessories