

TOGGLE CLAMP WITH HORIZONTAL BASE

Description For easy and secure fixation of workpieces with rotating movement
Handle and base position: horizontal

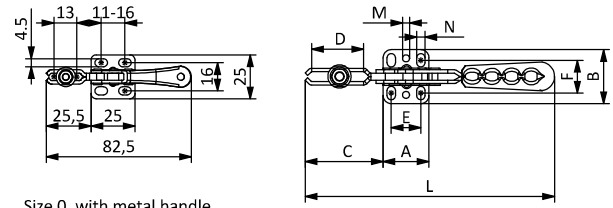
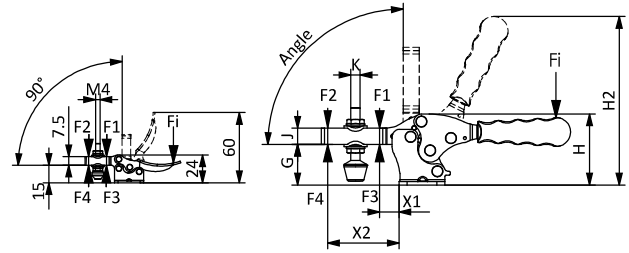
Material Clamp: Steel / stainless steel
Rivets: Stainless steel SS304
Handle grip: PUR
Clamping rubber: Silicone free NR

Surface Clamp: Zinc plated / plain / black passivated

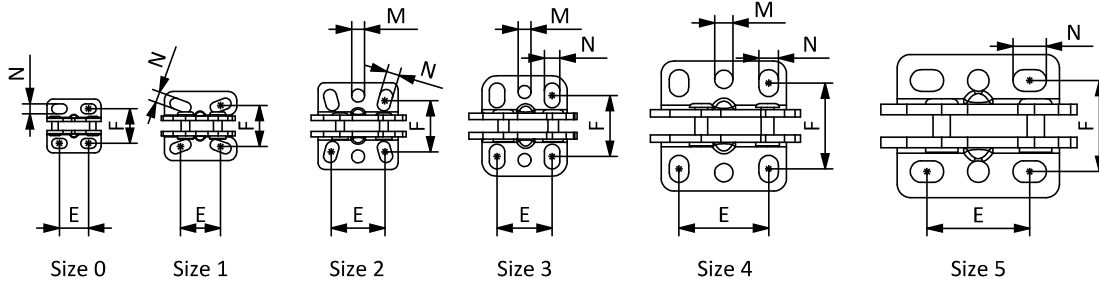
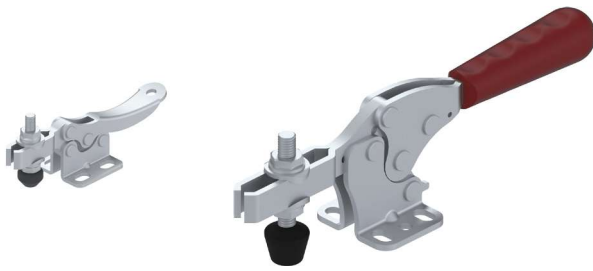
Color Handle: Red
Clamping rubber: Black

Pack Quantity 1 piece

Specials Clamp with lock on request



Size 0, with metal handle



Size	A [mm]	B [mm]	C [mm]	D [mm]	E [mm]	F [mm]	G [mm]	H [mm]	H2 [mm]	J [mm]	K [mm]	L [mm]	M [mm]	N [mm]	X1 [mm]	X2 [mm]
0	25	25	25,5	13	11 – 16	16	15	24	60	7,5	M4	82,5		4,5 x 7	11	18
1	33,5	32	43	28	14 – 23	17,5 – 20,5	21	40	95	10	M5	148		5 x 10	15	33
2	37	40	66	47	23,7 – 26	20 – 27,5	28	51	110	14	M6	184	∅ 6	6 x 10	19	54
3	39,5	46,5	68	42	25,5	24 – 32,5	34	61	136	14	M 8	215	∅ 6	7 x 11,5	25	53
4	58	60	100	73	41,5	36 – 43	45	82	175	19	M10	296	∅ 8,5	9 x 12,5	27	83
5	75	66	129	92	42 – 53	42	55	104	218	25,5	M12	345	∅ 10	10 x 15,5	37	107

Size	F1 [N]	F2 [N]	F3 [N]	F4 [N]	X1 [F1 : F1]	X2 [F2 : F1]	Screw	Angle (± 5°) [°]	Weight [g]	Part # Zinc plated steel	on request	
											Part # Stainless steel	Part # Black
0	450	300	520	350	5:1	2:1	M4 x 25	90	42	041TCM00H0V	041TCM00H0E	041TCM00H0S
1	850	650	1000	800	7:1	3:1	M5 x 35	90	125	041TCM00H1V	041TCM00H1E	041TCM00H1S
2	1000	750	1200	1000	7:1	3:1	M6 x 40	90	225	041TCM00H2V	041TCM00H2E	041TCM00H2S
3	2300	1250	2500	1350	8:1	4:1	M8 x 50	90	340	041TCM00H3V	041TCM00H3E	041TCM00H3S
4	3500	1800	3650	2000	9:1	4:1	M10 x 70	90	810	041TCM00H4V	041TCM00H4E	041TCM00H4S
5	4500	2000	5000	2125	10:1	5:1	M12 x 80	90	1520	041TCM00H5V	041TCM00H5E	041TCM00H5S

F1 - F2 : Exerting force, F3 - F4 : Holding capacity, Fi : Applied force

TOGGLE CLAMP WITH SIDE BASE

Description For easy and secure fixation of workpieces with rotating movement
Handle position: horizontal; base position: side

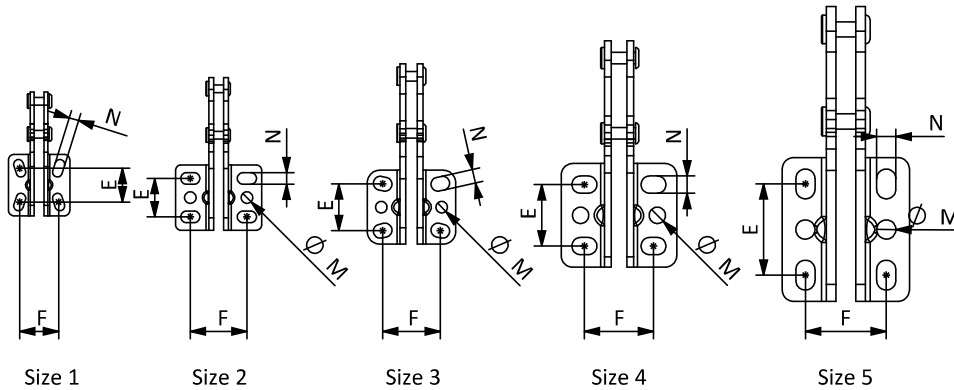
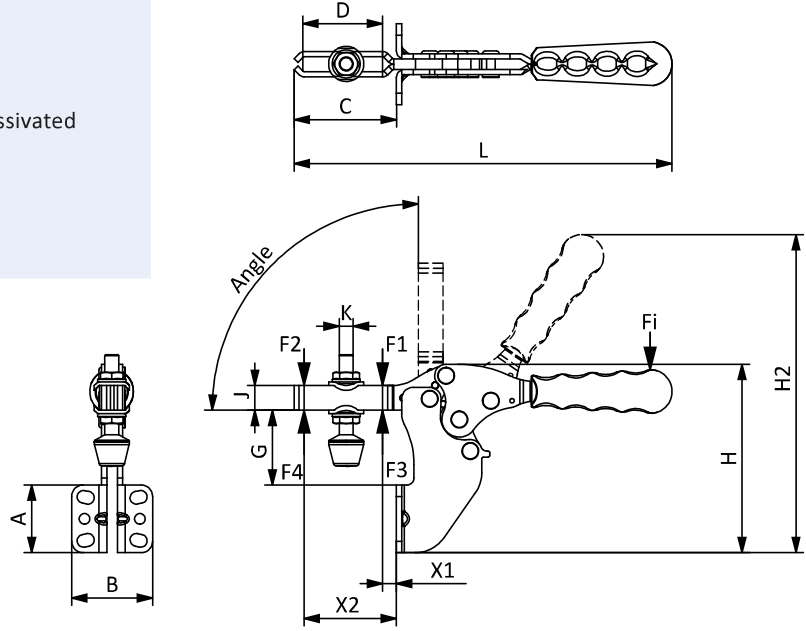
Material Clamp: Steel / stainless steel
Rivets: Stainless steel SS304
Handle grip: PUR
Clamping rubber: Silicone free NR

Surface Clamp: Zinc plated / plain / black passivated

Color Handle: Red
Clamping rubber: Black

Pack Quantity 1 piece

Specials Clamp with lock on request

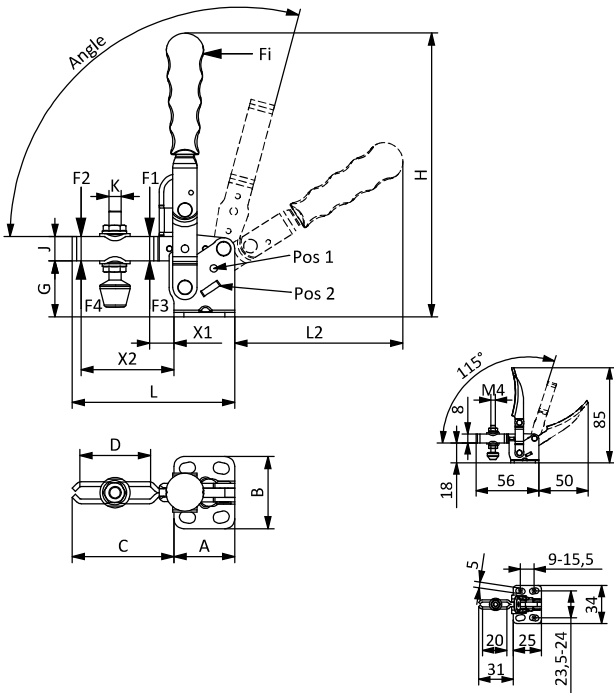


Size	A [mm]	B [mm]	C [mm]	D [mm]	E [mm]	F [mm]	G [mm]	H [mm]	H2 [mm]	J [mm]	K	L [mm]	M [mm]	N [mm]	X1 [mm]	X2 [mm]
1	32	32	40	28	13,5-21,5	19-21,5	22,5	73	128	10	M5	148		5 x 9	12	30
2	34	45	60	47	20	25,5-33,5	34	90	149	14	M6	184	Ø6	6 x 10	13	48
3	38,5	46	58	42	24-25	27,5-32,5	41	107	183	14	M8	215	Ø6	7 x 9,5	16	44
4	54	60	91	73	32	32-40	46,5	135	230	19	M10	296	Ø8,5	9 x 13	18	74
5	75	66	117	92	42-53	42	54	177	291	25,5	M12	345	Ø10	10 x 15,5	25	95

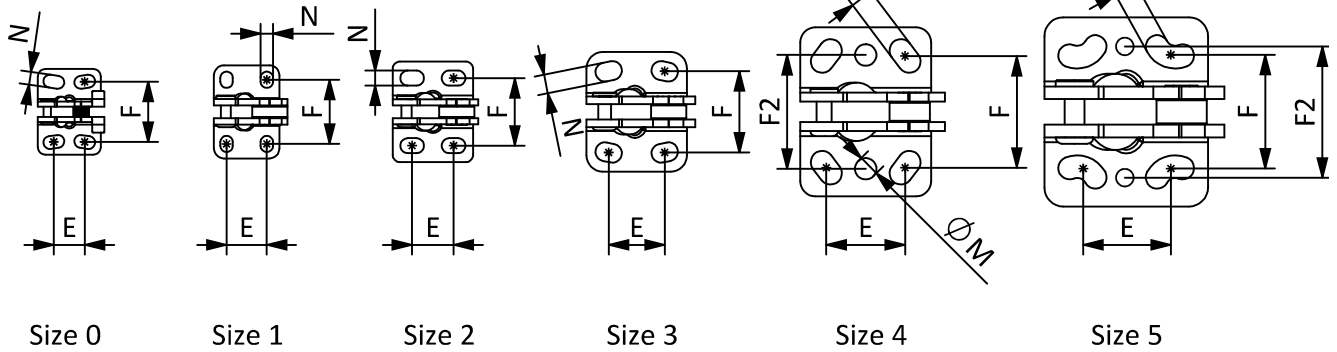
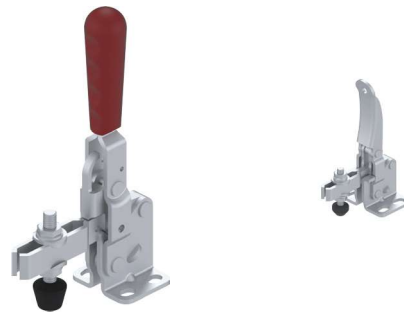
Size	F1 [N]	F2 [N]	F3 [N]	F4 [N]	X1 [F1 : Fi]	X2 [F2 : Fi]	Screw	Angle (± 5°) [°]	Weight [g]	Part # Zinc plated steel	on request	
											Part # Stainless steel	Part # Black
1	850	650	1000	800	7:1	3:1	M5 x 35	90	155	041TCM00S1V	041TCM00S1E	041TCM00S1S
2	1000	750	1200	1000	7:1	3:1	M6 x 40	90	270	041TCM00S2V	041TCM00S2E	041TCM00S2S
3	2300	1250	2500	1350	8:1	4:1	M8 x 50	90	420	041TCM00S3V	041TCM00S3E	041TCM00S3S
4	3500	1800	3650	2000	9:1	4:1	M10 x 70	90	940	041TCM00S4V	041TCM00S4E	041TCM00S4S
5	4500	2000	5000	2125	10:1	5:1	M12 x 80	90	1840	041TCM00S5V	041TCM00S5E	041TCM00S5S

F1 - F2 : Exerting force, F3 - F4 : Holding capacity, Fi : Applied force

TOGGLE CLAMP WITH HORIZONTAL BASE



Size 0 with metal handle



Size	A [mm]	B [mm]	C [mm]	D [mm]	E [mm]	F [mm]	F2 [mm]	G [mm]	H [mm]	J [mm]	K	L [mm]	L2 [mm]	M [mm]	N [mm]	X1 [mm]	X2 [mm]
0	25	34	31	20	9-15,5	23,5-24		18	85	8	M4	56	50		5 x 8	11	22
1	26	37	44	26	16	24-27	25,5	23	125	10	M5	70	75	∅5	5 x 6,5	18	34
2	32	40	62	42	13-20	27	27	26	141	13	M6	94	85	∅4	6 x 9,5	20	50
3	40	47,5	67	42	19-25	31,5-32,5	32,3	37	187	16	M8	107	110	∅5	7,5 x 10,5	25	52
4	52	67	100	67	28-34,5	40-48,5	45,2	47	240	20	M10	152	160	∅5	9 x 14,5	34	82
5	65	75	130	88	24,5-45	44,5-52	52	58	263	25	M12	195	165	∅6	9 x 19,5	42	107

Size	F1 [N]	F2 [N]	F3 [N]	F4 [N]	Fi X1 [F1 : Fi]	Fi X2 [F2 : Fi]	Screw	Angle (± 5°) Pos 1 [°]	Pos 2 [°]	Weight [g]	Part # Zinc plated steel	on request	
												Part # Stainless steel	Part # Black
0	550	350	700	455	10:1	5:1	M4 x 25	115		80	041TCM90H0V	041TCM90H0E	041TCM90H0S
1	750	500	1000	680	12:1	8:1	M5 x 35	105		155	041TCM90H1V	041TCM90H1E	041TCM90H1S
2	1200	700	1400	925	12:1	7,5:1	M6 x 40	105		230	041TCM90H2V	041TCM90H2E	041TCM90H2S
3	2000	1400	2500	1560	11:1	8:1	M8 x 50	105		415	041TCM90H3V	041TCM90H3E	041TCM90H3S
4	3000	2000	3300	2200	11,5:1	8:1	M10 x 70	135	105	900	041TCM90H4V	041TCM90H4E	041TCM90H4S
5	4500	2500	5000	3000	12:1	7:1	M12 x 80	135	105	1540	041TCM90H5V	041TCM90H5E	041TCM90H5S

F1 - F2 : Exerting force, F3 - F4 : Holding capacity, Fi : Applied force

TOGGLE CLAMP WITH VERTICAL BASE

Description For easy and secure fixation of workpieces with rotating movement
Handle and base position: vertical

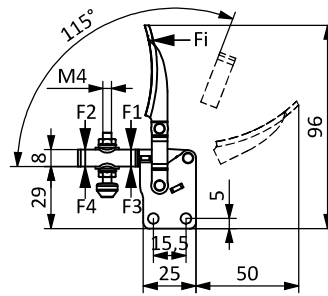
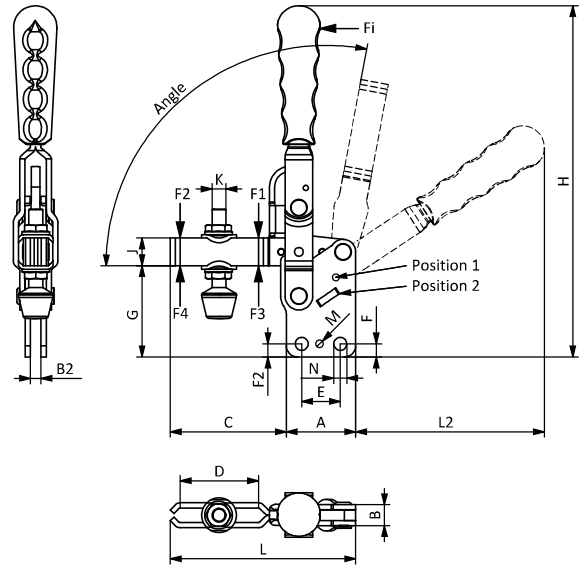
Material Clamp: Steel / stainless steel
Rivets: Stainless steel SS304
Handle grip: PUR
Clamping rubber: Silicone free NR

Surface Clamp: Zinc plated / plain / black passivated

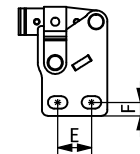
Color Handle: Red
Clamping rubber: Black

Pack Quantity 1 piece

Specials Clamp with lock on request



Size 0 with metal handle



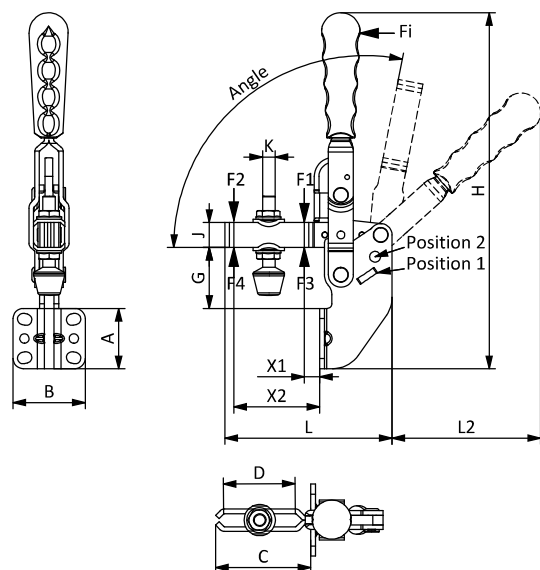
Size 2

Size	A [mm]	B [mm]	B2 [mm]	C [mm]	D [mm]	E [mm]	F [mm]	F2 [mm]	G [mm]	H [mm]	J [mm]	K [mm]	L [mm]	L2 [mm]	M [mm]	N [mm]	X1 [mm]	X2 [mm]
0	25	8	4	31	20	15,5	5		29	96	8	M4	56	50		∅ 5	11	22
1	26	10	5	44	26	16	5	5,8	35	137	10	M5	70	75	∅ 5	∅ 5	18	34
2	32	10	5	62	42	13-20	6,5	6,5	39	154	13	M6	94	85	∅ 4	6 x 9,5	20	50
3	40	12	6	67	42	22,5	7,5	7,6	52	202	16	M8	107	110	∅ 5	∅ 7,5	25	52
4	52	16	8	100	67	32	12	11	70	263	20	M10	152	160	∅ 5	∅ 9	34	82
5	65	20	10	130	88	42	15,5	11,6	82	287	25	M12	195	165	∅ 6	∅ 9	42	107

Size	F1 [N]	F2 [N]	F3 [N]	F4 [N]	Fi		Screw	Angle (± 5°)		Weight [g]	Part # Zinc plated steel	on request	
					X1 [F1 : Fi]	X2 [F2 : Fi]		Pos 1 [°]	Pos 2 [°]			Part # Stainless steel	Part # Black
0	550	350	700	455	10:1	5:1	M4 x 25	115		80	041TCM90V0V	041TCM90V0E	041TCM90V0S
1	750	500	1000	680	12:1	8:1	M5 x 35	105		155	041TCM90V1V	041TCM90V1E	041TCM90V1S
2	1200	700	1400	925	12:1	7,5:1	M6 x 40	105		230	041TCM90V2V	041TCM90V2E	041TCM90V2S
3	2000	1400	2500	1560	11:1	8:1	M8 x 50	105		415	041TCM90V3V	041TCM90V3E	041TCM90V3S
4	3000	2000	3300	2200	11,5:1	8:1	M10 x 70	135	105	900	041TCM90V4V	041TCM90V4E	041TCM90V4S
5	4500	2500	5000	3000	12:1	7:1	M12 x 80	135	105	1540	041TCM90V5V	041TCM90V5E	041TCM90V5S

F1 - F2 : Exerting force, F3 - F4 : Holding capacity, Fi : Applied force

TOGGLE CLAMP WITH SIDE BASE



Description For easy and secure fixation of workpieces with rotating movement
Handle position: vertical; base position: side

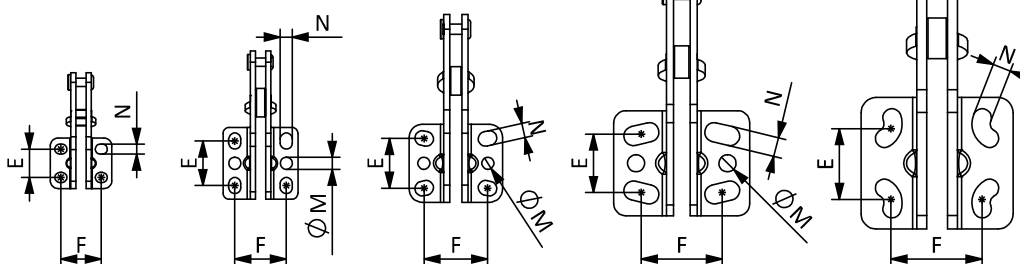
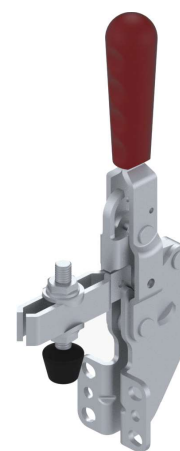
Material Clamp: Steel / stainless steel
Rivets: Stainless steel SS304
Handle grip: PUR
Clamping rubber: Silicone free NR

Surface Clamp: Zinc plated / plain / black passivated

Color Handle: Red
Clamping rubber: Black

Pack Quantity 1 piece

Specials Clamp with lock on request



Size	A [mm]	B [mm]	C [mm]	D [mm]	E [mm]	F [mm]	G [mm]	H [mm]	J [mm]	K [mm]	L [mm]	L2 [mm]	M [mm]	N [mm]	X1 [mm]	X2 [mm]
1	25	30,5	38	26	14	19-21	22,5	150	10	M5	70	75		5 x 6	12	28
2	35,5	37	58	42	20-24	25,5	25,5	175	13	M6	94	85	∅ 6	6 x 8	15	45
3	38,5	46	61	42	24-25	29-33	39	228	16	M8	107	110	∅ 6	7 x 9	19	46
4	52	67	91	67	27-30,5	32-47,5	48	292	20	M10	152	160	∅ 8,5	9,5 x 17,5	24	72
5	65	75,5	118,5	88	24,5-45	44,5-52	59	328	25	M12	195	165		9 x 19,5	30	95

Size	F1 [N]	F2 [N]	F3 [N]	F4 [N]	X1 [F1 : Fi]	Fi [F2 : Fi]	Screw	Angle (± 5°)		Weight [g]	Part # Zinc plated steel	on request	
								Pos 1 [°]	Pos 2 [°]			Part # Stainless steel	Part # Black
1	750	500	1000	680	12:1	8:1	M5 x 35	135	105	170	041TCM90S1V	041TCM90S1E	041TCM90S1S
2	1200	700	1400	925	12:1	7,5:1	M6 x 40	135	105	265	041TCM90S2V	041TCM90S2E	041TCM90S2S
3	2000	1400	2500	1560	11:1	8:1	M8 x 50	105		470	041TCM90S3V	041TCM90S3E	041TCM90S3S
4	3000	2000	3300	2200	11,5:1	8:1	M10 x 70	135	105	1050	041TCM90S4V	041TCM90S4E	041TCM90S4S
5	4500	2500	5000	3000	12:1	7:1	M12 x 80	135	105	1760	041TCM90S5V	041TCM90S5E	041TCM90S5S

F1 - F2 : Exerting force, F3 - F4 : Holding capacity, Fi : Applied force

TOGGLE CLAMP WITH HORIZONTAL BASE

Description For easy and secure fixation of workpieces with rotating movement
Handle and clamping arm can be welded in different position
Handle position: vertical; base position: horizontal

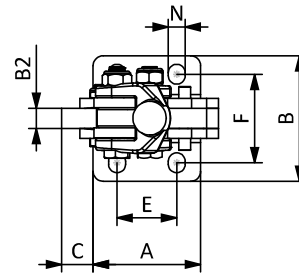
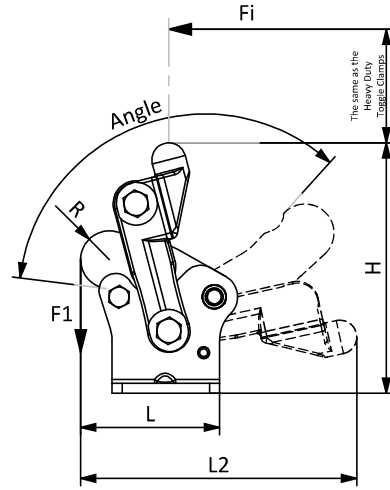
Material Steel / Cast steel (EN-GJS-600-3)

Surface Black passivated

Color Black

Pack Quantity 1 piece

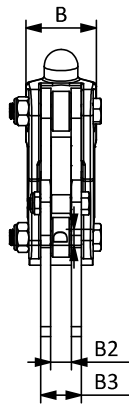
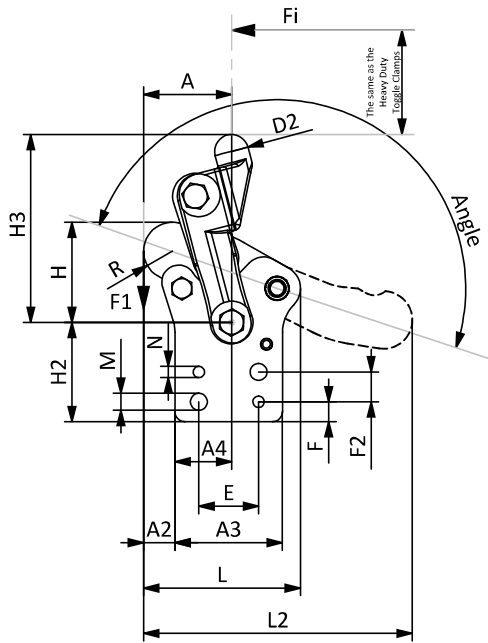
Specials Compatible handle see page 36
Compatible handle bar see page 34
Compatible clamping bar see page 35
Compatible threaded sleeve see page 37



Size	A [mm]	B [mm]	B2 [mm]	C [mm]	E [mm]	F [mm]	H [mm]	L [mm]	L2 [mm]	N [mm]	R [mm]
2	36	48,5	6	17,5	20	30 - 34	72	56	90	6,5 x 8,5	9,5
4	54	63	10	16	30	43 - 46	126	79	138	8,5 x 10	15
6	70	74	12	32	45	51 - 53	159	112	188	10,5 x 11,5	18

Size	F1 [N]	F1 : Fi	Angle (± 5°) [°]	Weight [g]	Part #
2	2500	5:1	120	240	041TCMM90H2S
4	7000	5:1	120	940	041TCMM90H4S
6	11000	5:1	120	1820	041TCMM90H6S

TOGGLE CLAMP WITH VERTICAL BASE



Description For easy and secure fixation of workpieces with rotating movement
Handle and clamping arm can be welded in different position
Handle and base position: vertical

Material Steel / Cast steel (EN-GJS-600-3)

Surface Black passivated

Color Black

Pack Quantity 1 piece

Specials Compatible handle see page 36
Compatible handle bar see page 34
Compatible clamping bar see page 35
Compatible threaded sleeve see page 37



1

Size	A [mm]	A2 [mm]	A3 [mm]	A4 [mm]	B [mm]	B2 [mm]	B3 [mm]	D	D2 [mm]	E [mm]	F [mm]	F2 [mm]	H [mm]	H2 [mm]	H3 [mm]	L [mm]	L2 [mm]	M [mm]	N [mm]	R [mm]
2	36	17,5	36	18,5	23	6	12	M6	ø10	20	8		31	34	55	56	98	ø6,5		9,5
4	44	16	54	28,5	36	10	20	M8	ø17	30	10	15	50	50	94,5	79	135	ø8,5	ø5,7	15
6	69	32	70	37	46	12	22	M10	ø22	45	15	20	73	62	120	112	197	ø10,5	ø7,7	18,5

Size	F1 [N]	F1 : Fi	Angle (± 5°) [°]	Weight [g]	Part #
2	2500	5:1	180	240	041TCMM90V2S
4	7000	5:1	180	940	041TCMM90V4S
6	11000	5:1	180	1820	041TCMM90V6S

TOGGLE CLAMP WITH HORIZONTAL BASE

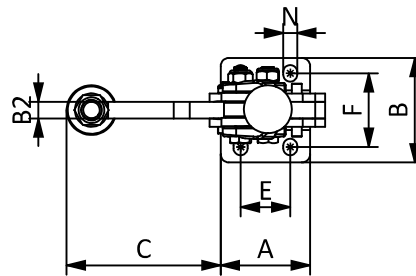
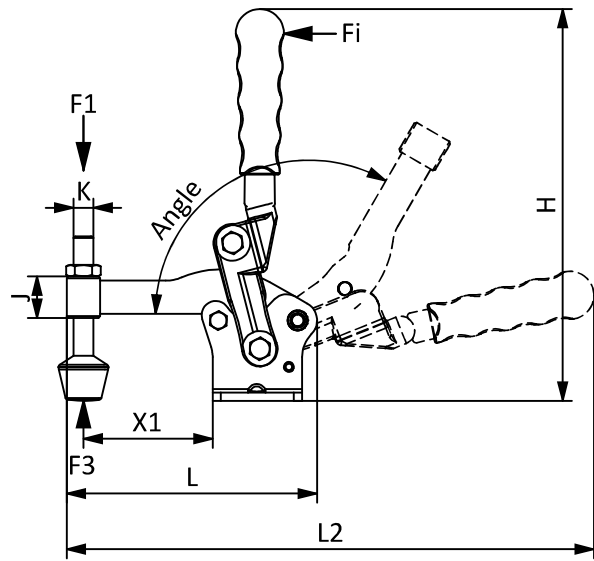
Description For easy and secure fixation of workpieces with rotating movement
Handle position: vertical; base position: horizontal

Material Steel / Cast steel (EN-GJS-600-3)
Handle grip: PUR
Clamping rubber: Silicone free NR

Surface Clamp body: Black passivated
Squeeze part: Zinc plated

Color Clamp body: Black
Handle: Red
Clamping rubber: Black

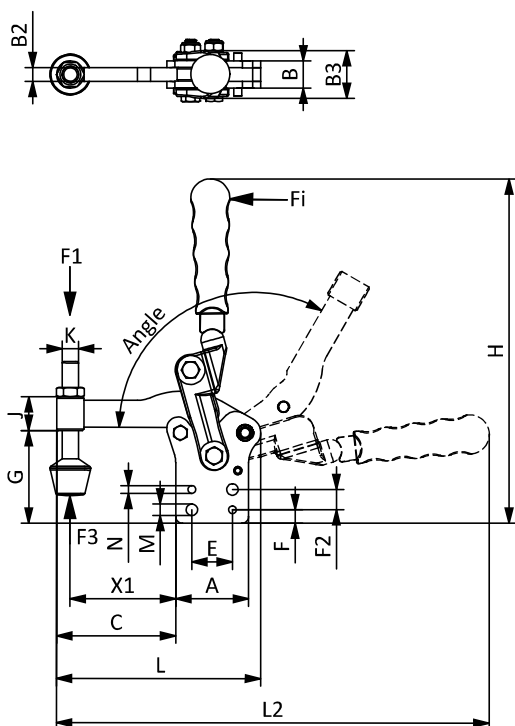
Pack Quantity 1 piece



Size	A [mm]	B [mm]	B2 [mm]	C [mm]	E [mm]	F [mm]	G [mm]	H [mm]	J [mm]	K [mm]	L [mm]	L2 [mm]	N [mm]	X1 [mm]
2	36	48,5	6	52,5	20	30 - 34	28,5	143	15	M6	89	192	6,5 x 8,5	44,5
4	54	63	10	88	30	43 - 46	49	238	27	M12	151	323	8,5 x 10	78
6	70	74	12	111	45	51 - 53	68	280	32	M12	191	390	10,5 x 11,5	98,5

Size	F1 [N]	F3 [N]	F1:Fi	Angle (± 5°) [°]	Weight [g]	Part #
2	750	2500	5:1	120	325	041TCMH90H2S
4	1500	5000	5:1	120	1340	041TCMH90H4S
6	2000	6000	5:1	120	2340	041TCMH90H6S

TOGGLE CLAMP WITH VERTICAL BASE



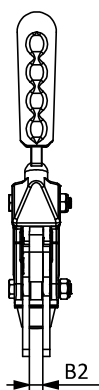
Description For easy and secure fixation of workpieces with rotating movement
Handle and base position: vertical

Material Steel / Cast steel (EN-GJS-600-3)
Handle grip: PUR
Clamping rubber: Silicone free NR

Surface Clamp body: Black passivated
Squeeze part: Zinc plated

Color Clamp body: Black
Handle: Red
Clamping rubber: Black

Pack Quantity 1 piece

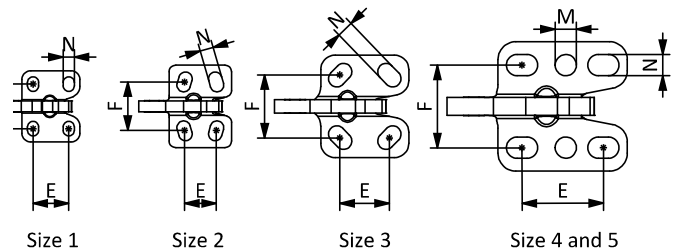
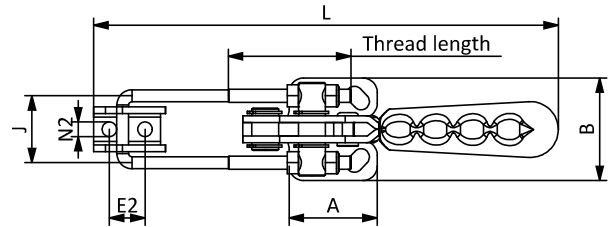
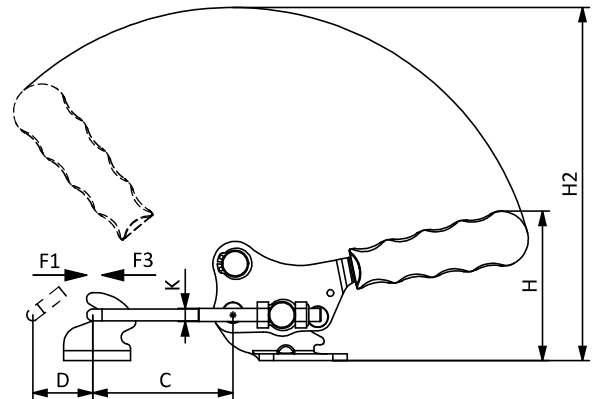


Size	A [mm]	B [mm]	B2 [mm]	B3 [mm]	C [mm]	E [mm]	F [mm]	F2 [mm]	G [mm]	H [mm]	J [mm]	K [mm]	L [mm]	L2 [mm]	M [mm]	N [mm]	X1 [mm]
2	36	12	6	23	50,5	20	8		44,5	159	15	M6	89	192	ø6,5		44,5
4	54	20	10	36	88	30	10	15	67,5	257	27	M12	151	323	ø8,5	ø5,7	78
6	70	22	12	46	111	45	15	20	91	303	32	M12	191	390	ø10,5	ø7,7	98,5

Size	F1 [N]	F3 [N]	F1:Fi	Angle (± 5°) [°]	Weight [g]	Part #
2	750	2500	5:1	120	325	041TCMH90V2S
4	1500	10 000	5:1	120	1340	041TCMH90V4S
6	2000	12 000	5:1	120	2340	041TCMH90V6S

LIGHT DUTY LATCH TOGGLE CLAMP

- Description** For easy and secure fixation of workpieces or doors with pulling force
Handle and base position: horizontal
- Material** Clamp: Steel / stainless steel
Joint pin: Steel / stainless steel
U hook: Steel / stainless steel
Handle grip: PUR
- Surface** Clamp: Zinc plated / plain / black passivated
- Color** Handle: Red
- Pack Quantity** 1 piece
- Specials** Clamp with lock on request

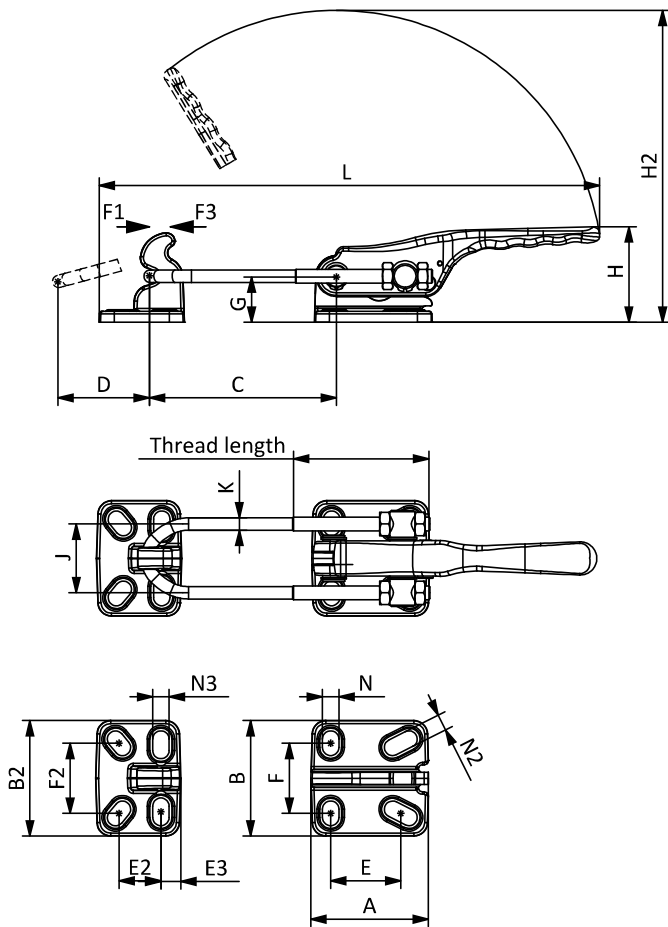


Size	A [mm]	B [mm]	C min. [mm]	C max. [mm]	D [mm]	E [mm]	E2 [mm]	F [mm]	G [mm]	H [mm]	H2 [mm]	J [mm]	K [mm]	L min. [mm]	L max. [mm]	M [mm]	N [mm]	N2 [mm]
1	26	32	35	65	20	16	10	18,5 - 21,5	13	55	110	23	M4	135	165		5 x 6,5	Ø5
2	28	37	32	62	25	13 - 15	10 - 14	19 - 24,5	17	58	120	23	M4	142	172		6 x 9	5,5 x 7,5
3	39,5	46	32	67	35	19 - 25	16	25 - 31	21,5	67	160	30	M6	177	212		7,5 x 11,5	Ø6,5
4	58	58	45	95	44	32 - 41	18 - 21	37	27,5	91	200	43	M8	233	282	Ø9,5	9,5 x 14	8,5 x 10
5	58	58	45	127	44	32 - 41	18 - 21	37	27,5	93,5	204,5	45	M10	233	315	Ø9,5	9,5 x 14	8,5 x 10

Size	F1 [N]	F3 [N]	Thread length [mm]	Weight [g]	Part # Zinc plated steel	on request	
						Part # Stainless steel	Part # Black
1	1000	1500	45	135	041LUM00H1V	041LUM00H1E	041LUM00H1S
2	1500	2000	45	175	041LUM00H2V	041LUM00H2E	041LUM00H2S
3	2200	3200	75	335	041LUM00H3V	041LUM00H3E	041LUM00H3S
4	7000	8000	95	815	041LUM00H4V	041LUM00H4E	041LUM00H4S
5	10000	11000	110	1185	041LUM00H5V	041LUM00H5E	041LUM00H5S

F1: Exerting force, F3: Holding capacity, (Stainless steel latch clamps have 30% less tensile strength)

HEAVY DUTY LATCH TOGGLE CLAMP



- Description** For easy and secure fixation of workpieces or doors with pulling force
Handle and base position: horizontal
- Material** Clamp and counter piece: Cast steel (EN-GJS-600-3)
Joint pin: Zinc plated steel
U hook: Zinc plated steel
- Surface** Clamp and counter piece: Powder coated
- Color** Black
- Pack Quantity** 1 piece
- Specials** Clamp with lock on request



Size	A [mm]	A2 [mm]	B [mm]	B2 [mm]	C min. [mm]	C max. [mm]	D [mm]	E [mm]	E2 [mm]	E3 [mm]	F [mm]	F2 [mm]	G [mm]	H [mm]	H2 [mm]	J [mm]	K [mm]	L min. [mm]	L max. [mm]	N [mm]	N2 [mm]	N3 [mm]
4	86	62	84	84	50	135	80	45-57	28-33	15	45-57	45-57	33,5	69	230	50	M10	280	365	11 x 17	11 x 24	11 x 19
5	86	66	84	84	50	70	80	45-57	28-35	20	45-57	45-57	33,5	89	230	56	M12	280	298	11 x 17	11 x 24	11 x 19

Size	F1 [N]	F3 [N]	Thread length [mm]	Weight [g]	Part #
4	15000	17000	130	1850	041LUMH00H4S
5	20000	25000	65	2235	041LUMH00H5S

PUSH-PULL CLAMP WITHOUT BASE

Description For easy and secure fixation of workpieces with pushing force
Handle position: vertical; without base

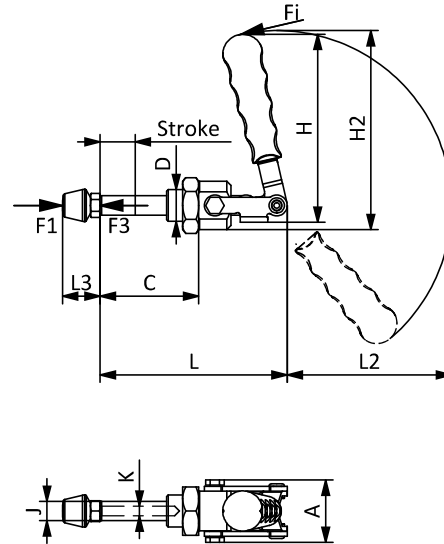
Material Clamp: Steel / stainless steel
Rivets: Stainless steel SS304
Handle grip: PUR
Clamping rubber: Silicone free NR

Surface Clamp: Zinc plated / plain / black passivated

Color Handle: Red
Clamping rubber: Black

Pack Quantity 1 piece

Tip Compatible bases see page 38 et sq.



Size	A [mm]	C [mm]	D [mm]	H [mm]	H2 [mm]	J [mm]	K [mm]	L [mm]	L2 [mm]	L3 min. [mm]	L3 max. [mm]
1	28	37	M12 x 1,5	69	82	8	M5	73	68,5	15	38
2	32	46	M16 x 1,5	81,5	97	10	M6	89	80	19	46
3	39	61	M20 x 1,5	100	103	12	M8	116	80	24	58
5	47	81	M24 x 1,5	131	159	14	M10	155	135	32	74
6	51	81	M24 x 1,5	131	159	16	M10	155	135	32	74

Size	F1 [N]	F3 [N]	Fi [F1 : Fi]	Screw	Stroke [mm]	Weight [g]	Part # Zinc plated steel	on request	
								Part # Stainless steel	Part # Black
1	800	970	24:1	M5 x 35	22	95	041PCM90B1V	041PCM90B1E	041PCM90B1S
2	1500	1700	26:1	M6 x 40	27	200	041PCM90B2V	041PCM90B2E	041PCM90B2S
3	2500	2640	27:1	M8 x 50	38	360	041PCM90B3V	041PCM90B3E	041PCM90B3S
5	3500	3700	38:1	M10 x 70	53	710	041PCM90B5V	041PCM90B5E	041PCM90B5S
6	4500	4650	38:1	M10 x 70	53	780	041PCM90B6V	041PCM90B6E	041PCM90B6S

F1: Exerting force, F3: Holding capacity, Fi : Applied force

PUSH-PULL CLAMP WITH HORIZONTAL BASE

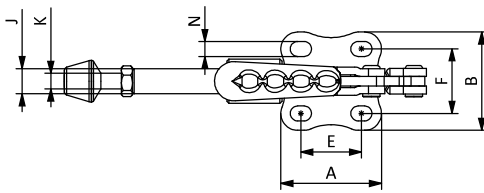
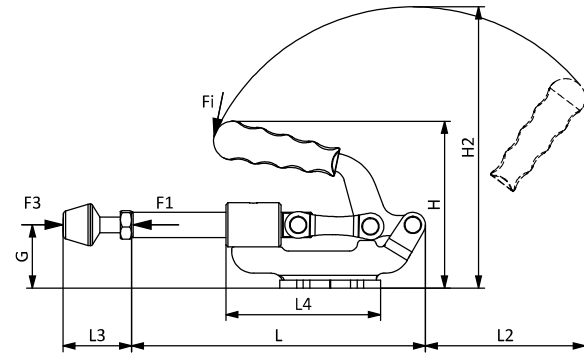
Description For easy and secure fixation of workpieces with pushing force
Handle and base position: horizontal

Material Clamp: Steel
Rivets: Stainless steel SS304
Handle grip: PUR
Clamping rubber: Silicone free NR

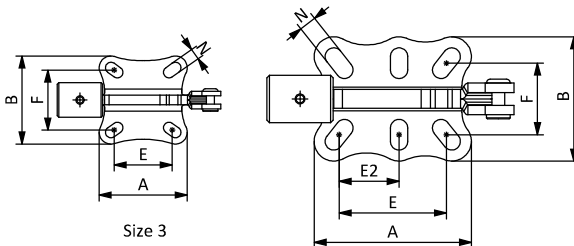
Surface Clamp: Zinc plated

Color Handle: Red
Clamping rubber: Black

Pack Quantity 1 piece



Size 4



Size 3

Size 5



Size	A [mm]	B [mm]	E [mm]	E2 [mm]	F [mm]	G [mm]	H [mm]	H2 [mm]	J [mm]	K [mm]	L [mm]	L2 [mm]	L3 min.	L3 max.	L4	N
3 Ø 12	56	56	32,5 - 41		35 - 41	32	88	142	12	M8	154	85	24	58	83	7 x 12
3 Ø 14	56	56	32,5 - 41		35 - 41	32	88	142	14	M8	154	85	24	58	83	7 x 12
4 Ø 16	64	62	34,5 - 42,5		41	40	107	179	16	M10	186	105	32	81	98	9,5 x 13,5
4 Ø 18	64	62	34,5 - 42,5		41	40	107	179	18	M10	186	105	32	81	98	9,5 x 13,5
5 Ø 20	100	79	61,5 - 75	34,5 - 41,5	37 - 54	47	125	216	20	M12	234	125	39	94	130	11 x 22

Size	F1 [N]	F3 [N]	Fi [F1 : Fi]	Screw	Stroke [mm]	Weight [g]	Part #
3 Ø12	2500	2960	16:1	M8 x 50	38	390	041PCM00H312V
3 Ø14	2500	3200	16:1	M8 x 50	38	405	041PCM00H314V
4 Ø16	4500	6650	23:1	M10 x 70	47	810	041PCM00H416V
4 Ø18	4500	7200	23:1	M10 x 70	47	825	041PCM00H418V
5 Ø20	7500	15000	30:1	M12 x 80	55	1425	041PCM00H520V

F1 - F2 : Exerting force, F3 - F4 : Holding capacity, Fi : Applied force

PUSH-PULL CLAMP WITH HORIZONTAL BASE

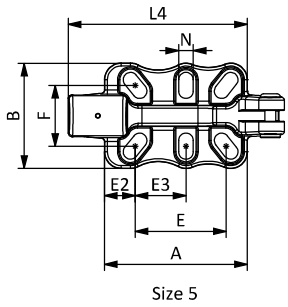
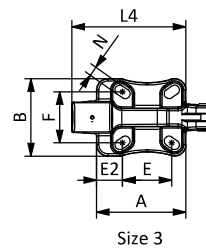
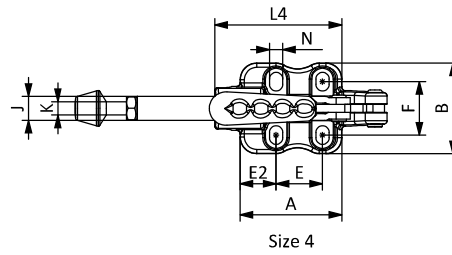
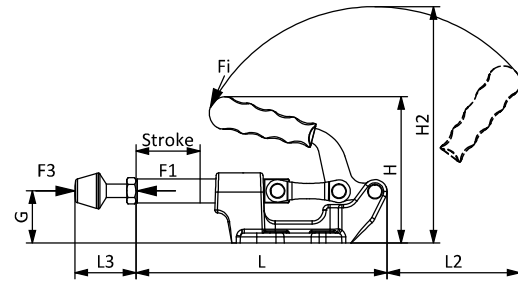
Description For easy and secure fixation of workpieces with pushing force
Handle and base position: horizontal

Material Clamp: Cast steel (EN-GJS-600-3) / Steel
Rivets: Stainless steel SS304
Handle grip: PUR
Clamping rubber: Silicone free NR

Surface Clamp: Black powder coated / Zinc plated

Color Clamp body: Black
Handle: Red
Clamping rubber: Black

Pack Quantity 1 piece



Size	A [mm]	B [mm]	E [mm]	E2 [mm]	E3 [mm]	F [mm]	G [mm]	H [mm]	H2 [mm]	J [mm]	K [mm]	L [mm]	L2 [mm]	L3 min. [mm]	L3 max. [mm]	L4 [mm]	N [mm]
3 Ø 12	67	58	32,5 - 41	17,5 - 21,5		35 - 41	32	88	142	12	M8	155	85	24	58	85,5	7 x 12
4 Ø 18	76	68	34,5	27		36 - 44	39	107	179	18	M10	187	105	32	81	95	10 x 14
5 Ø 20	107	79	61,5 - 75	19,5 - 26	34,5 - 41,5	37 - 54	47	125	216	20	M12	235	125	39	94	134	11 x 22

Size	F1 [N]	F3 [N]	Fi [F1 : Fi]	Screw	Stroke [mm]	Weight [g]	Part #
3 Ø 14	2500	4000	16:1	M8 x 50	38	635	041PCMH00H314S
4 Ø 18	4500	8800	23:1	M10 x 70	47	1150	041PCMH00H418S
5 Ø 20	7500	18450	30:1	M12 x 80	55	1835	041PCMH00H520S

F1: Exerting force, F3: Holding capacity, Fi : Applied force