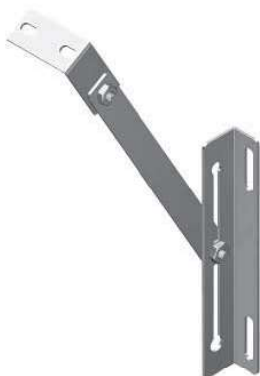


INDUSTRIAL HARDWARE

CHAPTER 13: **COVER STAYS**



COVER STAYS
COVER STAYS WITH BUTTON
COVER STAYS
DOOR STAYS / WIND STOPS
TELESCOPIC COVER STAYS
COVER STAY SHORT

300
301
302
303-304
305
306

QTL

COL

SLA

SWH

ASH

SFH

SCH

COH

ACC

GSK

HAN

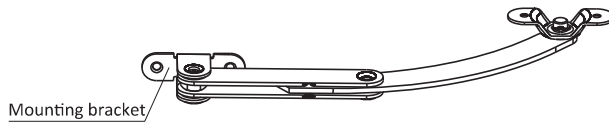
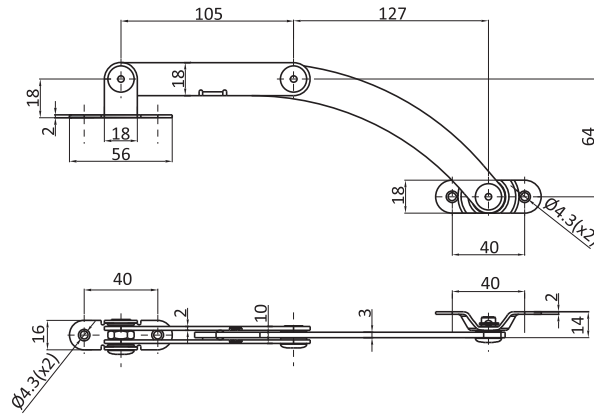
HVA

CST

COVER STAYS

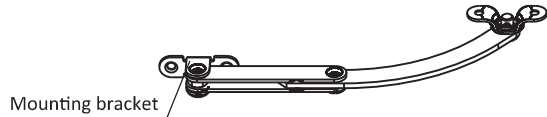
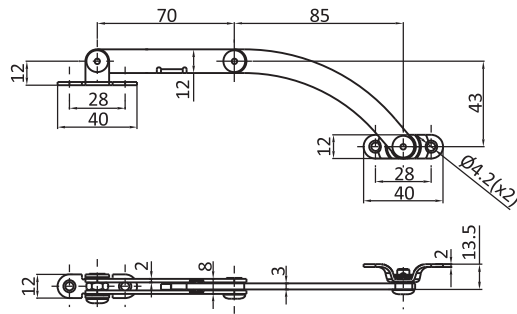
DESCRIPTION	To hold open flaps and doors
MATERIAL	Mild steel
COLOR	Nickel plated

Long size



Mounting bracket

Short size

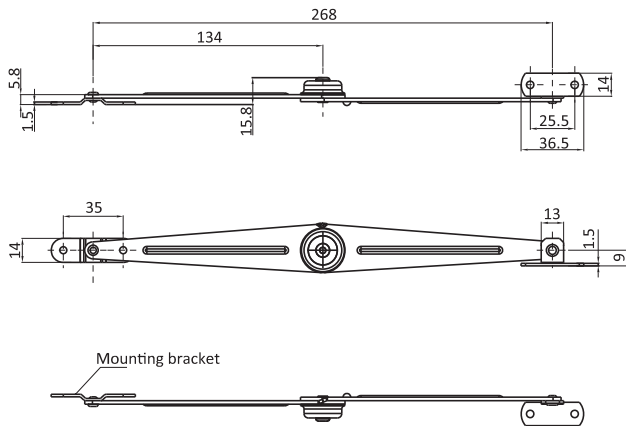


Mounting bracket

Cover Stays	L (mm)	Left Opening	Right Opening
	Long Size	0850159	0850161
	Short Size	0850160	0850162

COVER STAYS WITH BUTTON

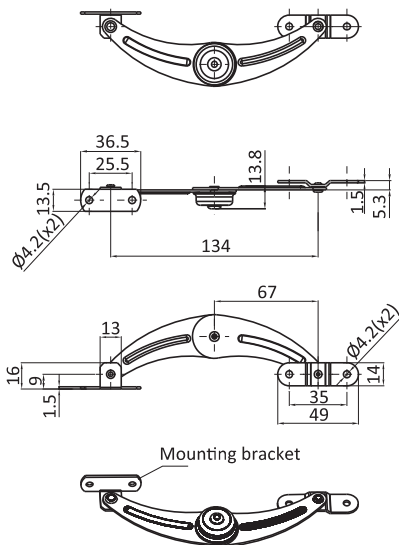
DESCRIPTION	To hold open flaps and doors
MATERIAL	Mild steel
COLOR	Nickel plated



Cover Stays With Button	Left Opening	Right Opening
	0850163	0850164

COVER STAYS WITH BUTTON

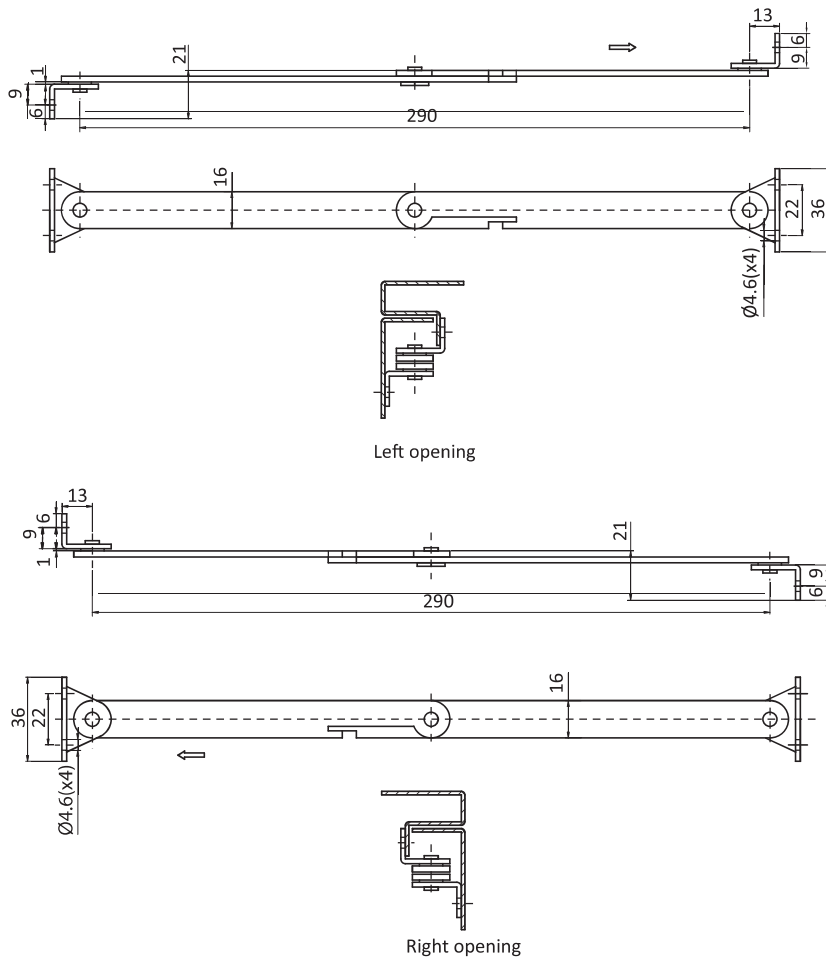
DESCRIPTION	To hold open flaps and doors
MATERIAL	Mild steel
COLOR	Nickel plated



Cover Stays With Button	Left Opening	Right Opening
	0813481	0813482

COVER STAYS

DESCRIPTION	To hold open flaps and doors
MATERIAL	Mild Steel 304 SS
COLOR	Nickel plated

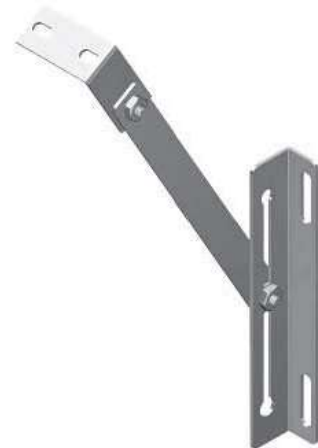
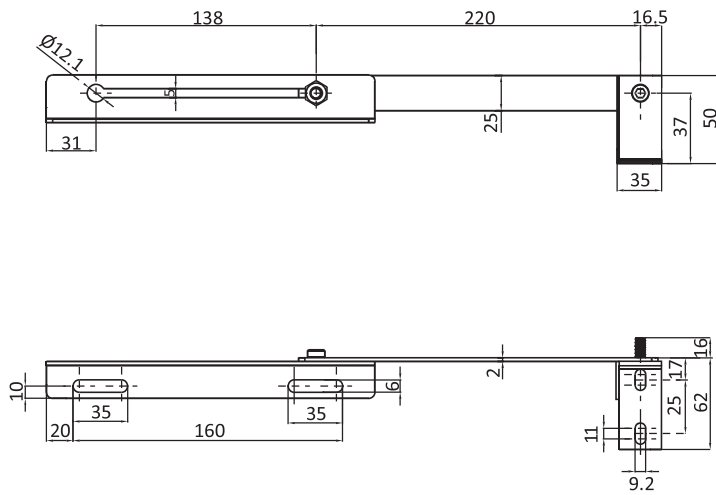


Cover Stays	Material	Left Opening	Right Opening
	Mild Steel	0890011	0890010
	304 SS	0890014	0890015

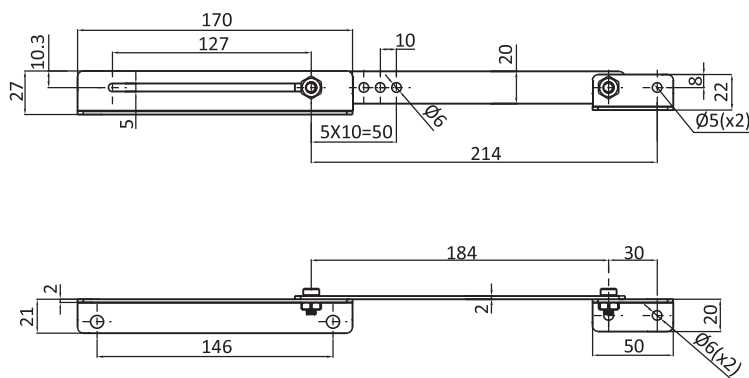
DOOR STAYS / WIND STOPS

DESCRIPTION	To hold open doors
MATERIAL	Mild Steel 304 SS
COLOR	Nickel plated

Long size



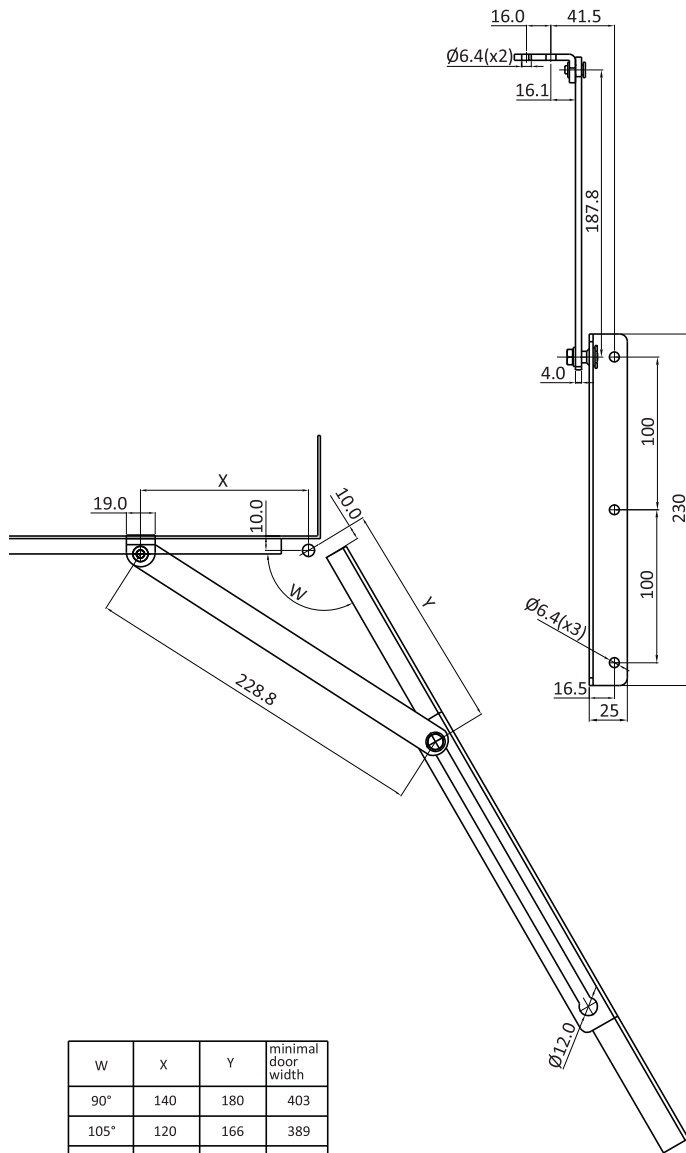
Short size



Door Stays / Wind Stops	Material	Long Size	Short Size
	Mild Steel	0890020	0890021
	304 SS	0890022	0890023

DOOR STAYS / WIND STOPS

DESCRIPTION	To hold open doors
MATERIAL	Mild Steel 304 SS
COLOR	Zinc plated



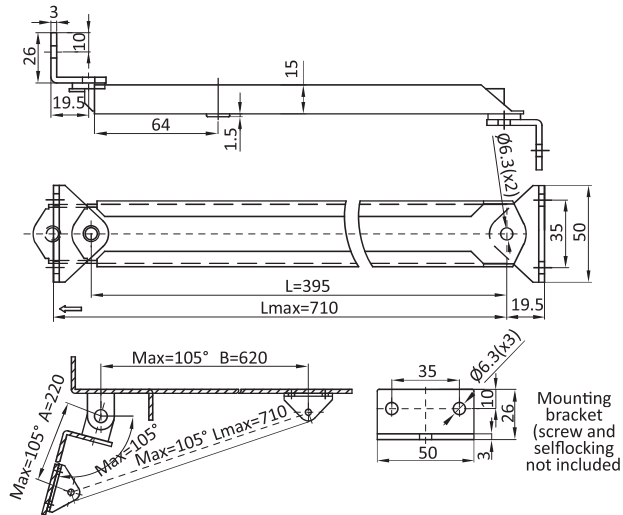
W	X	Y	minimal door width
90°	140	180	403
105°	120	166	389
120°	110	150	373
135°	100	146	369

Door Stays / Wind Stops	Material	Part #
	Mild Steel	0890006
	304 SS	0890006E

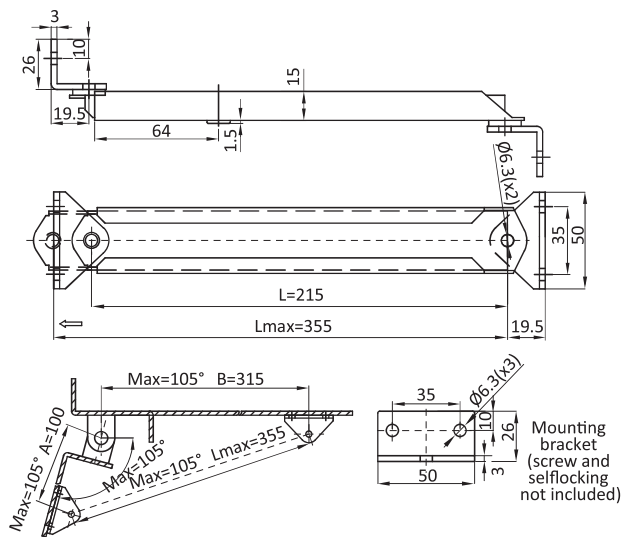
TELESCOPIC COVER STAYS

DESCRIPTION	To hold open flaps and doors
MATERIAL	Mild Steel 304 SS
COLOR	Zinc plated

Long size



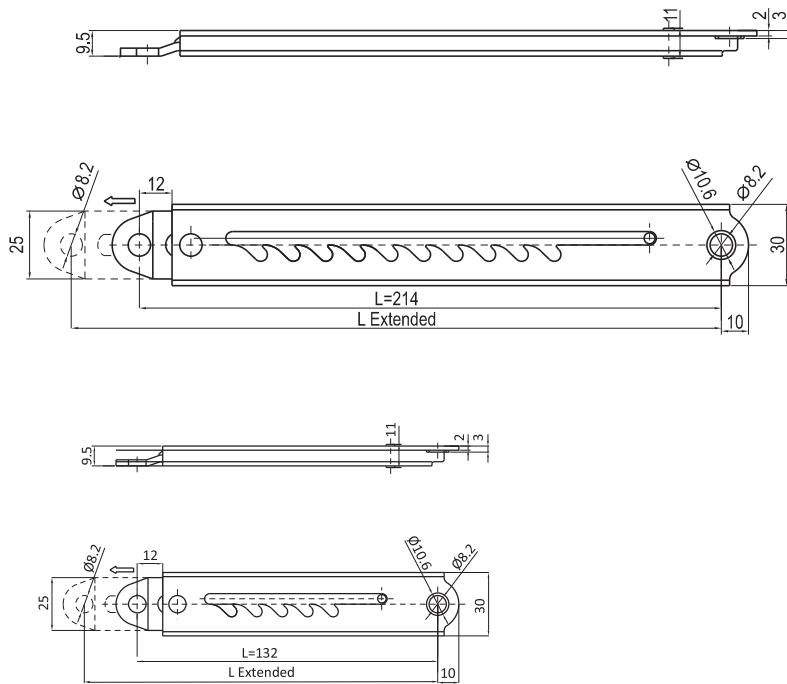
Short size



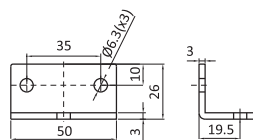
Telescopic Cover Stays	Long Size	Short Size
Mild Steel	0890024	0890025
Stainless Steel	0890024E	0890025E

COVER STAY SHORT

DESCRIPTION	To hold open flaps and doors
MATERIAL	Mild Steel
COLOR	Zinc plated



Stop	Long size L Extended	Short size L Extended
1.	234.5	164
2.	248	177
3.	261	189.5
4.	274.5	202
5.	288	214.5
6.	301	
7.	314.5	
8.	327	
9.	340.5	
10.	354	



Mounting bracket (screw and selflocking not include)
 Note: The cover stay is sold with mounting bracket and related accessories together as standard.



Cover Stay	Number of Stops	Part #
Short	5	0890026
Long	10	KT10799051
Long SS Version	10	KT10799051E