



## ST-4A , ST-5A, ST-10P Hinge

Position control · Constant torque

- Smooth consistent operation
- Compact design fits the smallest applications
- Never requires adjustment

### Material and Finish

Aluminum, zinc alloy and steel, natural

### Performance Details

Cycle performance:  
20,000 cycles, see trade drawing at  
southco.com for details

#### ST-4A

Radial load:  
Maximum static load:  
200 N (45 lbf)

#### ST-5A

Radial load:  
Maximum static load:  
223 N (50 lbf)

#### ST-10P

Radial load:  
Maximum static load: 334 N (75 lbf)



### Part Number

See table

Part Number	Static Torque		X	Y
	Forward N·m (in·lbf)	Reverse N·m (in·lbf)		
ST-4A-3S-33	0.03 (0.3)		3.5 (.14)	3.5 (.14)
ST-4A-8S-33	0.08 (0.75)		9.5 (.37)	9.5 (.37)
ST-5A-10S-33	0.11 (1.0)		4.15 (.163)	7.4 (.291)
ST-5A-16S-33	0.18 (1.6)			
ST-5A-23S-33	0.26 (2.3)			
ST-5A-30S-33	0.34 (3.0)			
ST-10P-040S-33	0.45 (4)		9 (.35)	20.5 (.81)
ST-10P-080S-33	0.9 (8)			
ST-10P-100S-33	1.13 (10)			
ST-10P-140S-33	1.58 (14)			
ST-10P-040R-33	0.32 (2.8)	0.45 (4)		
ST-10P-080R-33	0.63 (5.6)	0.9 (8)		
ST-10P-120R-33	0.95 (8.4)	1.36 (12)		
ST-10P-160R-33	1.27 (11.2)	1.81 (16)		
ST-10P-040F-33	0.45 (4)	0.32 (2.8)		
ST-10P-080F-33	0.9 (8)	0.63 (5.6)		
ST-10P-120F-33	1.36 (12)	0.95 (8.4)		
ST-10P-160F-33	1.81 (16)	1.27 (11.2)		



[www.southco.com/ST](http://www.southco.com/ST)

Dimensions in millimeters (inch) unless otherwise stated

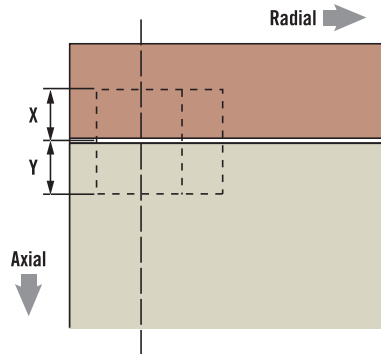
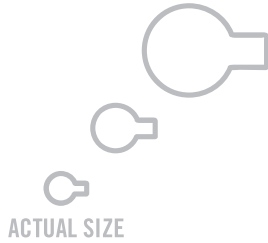
**southco**  
CONNECT · CREATE · INNOVATE

# ST-4A, ST-5A, ST-10P Hinge

Position control · Constant torque



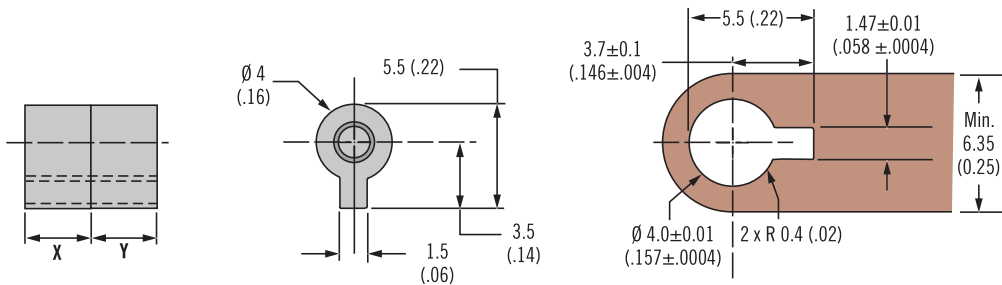
339A



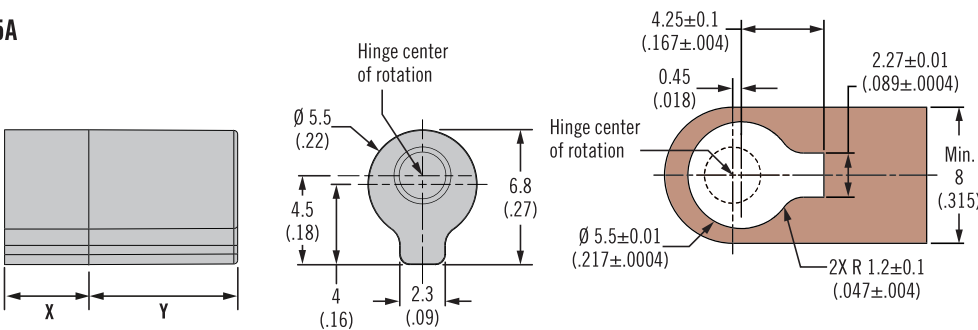
- Smooth consistent operation
- Compact design fits the smallest applications
- Never requires adjustment



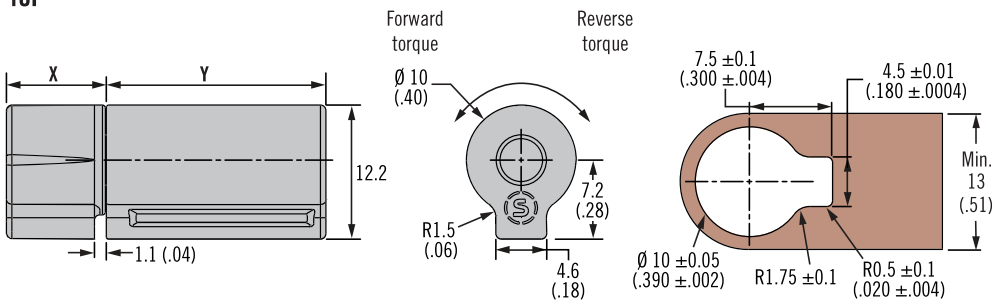
## ST-4A



## ST-5A



## ST-10P



### Part Number

See table

