



# E5 Cam Latch

Zinc · Tool operated · Long Housing · Fixed grip

- Single hole install
- Latched / unlatched indicator
- Suitable for thick doors

### Material and Finish

Zinc alloy, powder coated or chrome plated and steel, zinc plated

### Performance Details

Maximum static load: 30 N (74 lbf)

### Installation Notes

Mounting nut:  
Maximum tightening torque:  
10 N·m (88 in·lbf)  
Screw Maximum tightening torque:  
5 N·m (45 in·lbf)

### Sealing Notes

NEMA 4 / IP65 achieved using gasket supplied

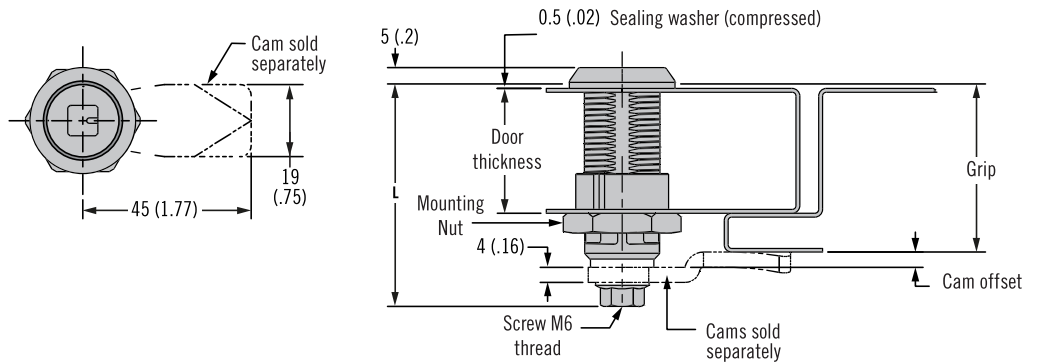
### Keys and Accessories

See page 130

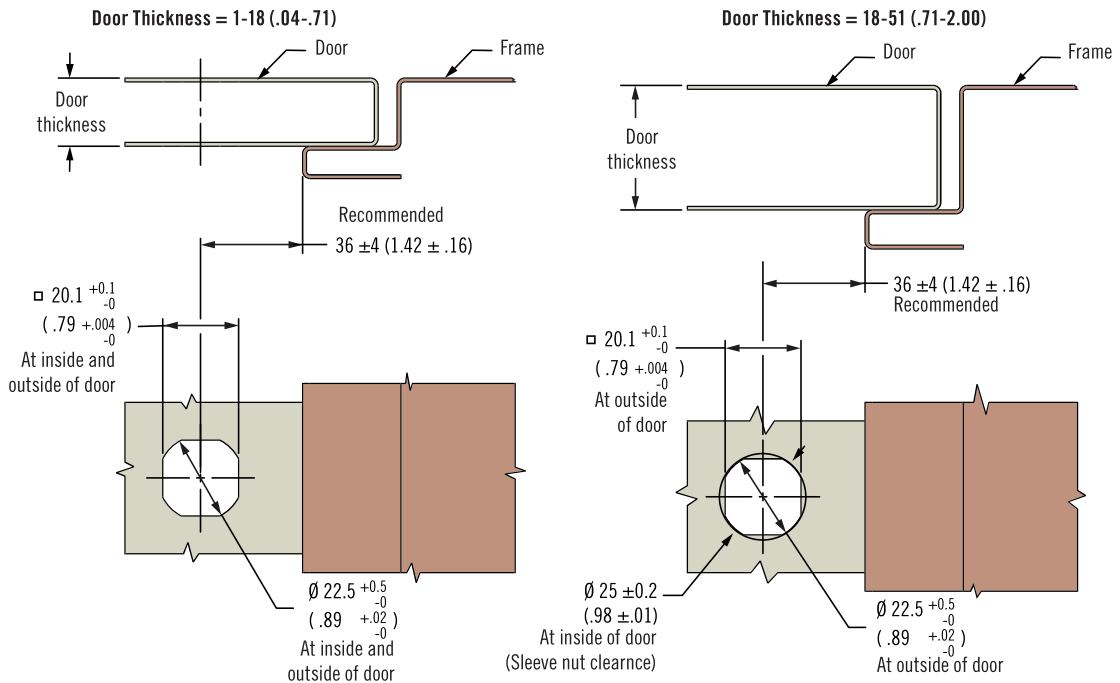
### Part Number Selection

See table  
Order latch and cam separately

Compatible with flat and roller cams  
- See page 127B, Long Housing  
Table for cam part numbers



### Door Preparation



**Optional Keeper for Roller Cam**  
Part number E5-74-601-33



**E5 - 6 A - H F - UU D**

- F Finish**
- 2 Bright chrome
  - 5 Black powder coated

- H Head style** (See pg 117 for details)
- |                       |                                     |
|-----------------------|-------------------------------------|
| 00 Slotted            | 08 8 (.32) Square recess            |
| 01 8 (.32) Hex recess | 13 Bellcore 216                     |
| 02 7 (.28) Triangle   | 19 Bellcore Electronics             |
| 03 8 (.32) Triangle   | 21 Recessed slot (tamper resistant) |
| 04 7 (.28) Square     | 22 Railway standard                 |
| 05 8 (.32) Square     | 23 Blank                            |
| 06 3 (.11) Double bit |                                     |
| 07 5 (.19) Double bit |                                     |

D	Door Thickness	Grip Range	L
1	1-18 (.04-.71)	5-53 (.20-2.09)	45.5 (1.79)
2	1-18 (.04-.71)	54-82 (2.13-3.23)	68.2 (2.69)
3	18-33 (.71-1.30)	18-66 (.71-2.60)	58.2 (2.29)
4	18-33 (.71-1.30)	68-82 (2.60-3.23)	68.2 (2.69)
5	33-51 (1.30-2.00)	34-82 (1.34-3.23)	68.2 (2.69)