



R4-81 Rotary Paddle Latch

Pull-to-open

- Rear mount installation
- Direct actuation, no cable or rod required
- Single or two stage latching
- Integrated bumper option
- Environmentally sealed

Material and Finish

Housing: Glass-filled nylon, black

Paddle: Zinc alloy, black powder coated or chrome plated

Installation Notes

Maximum tightening torque on supplied mounting nuts 3 N⋅m

Accessories

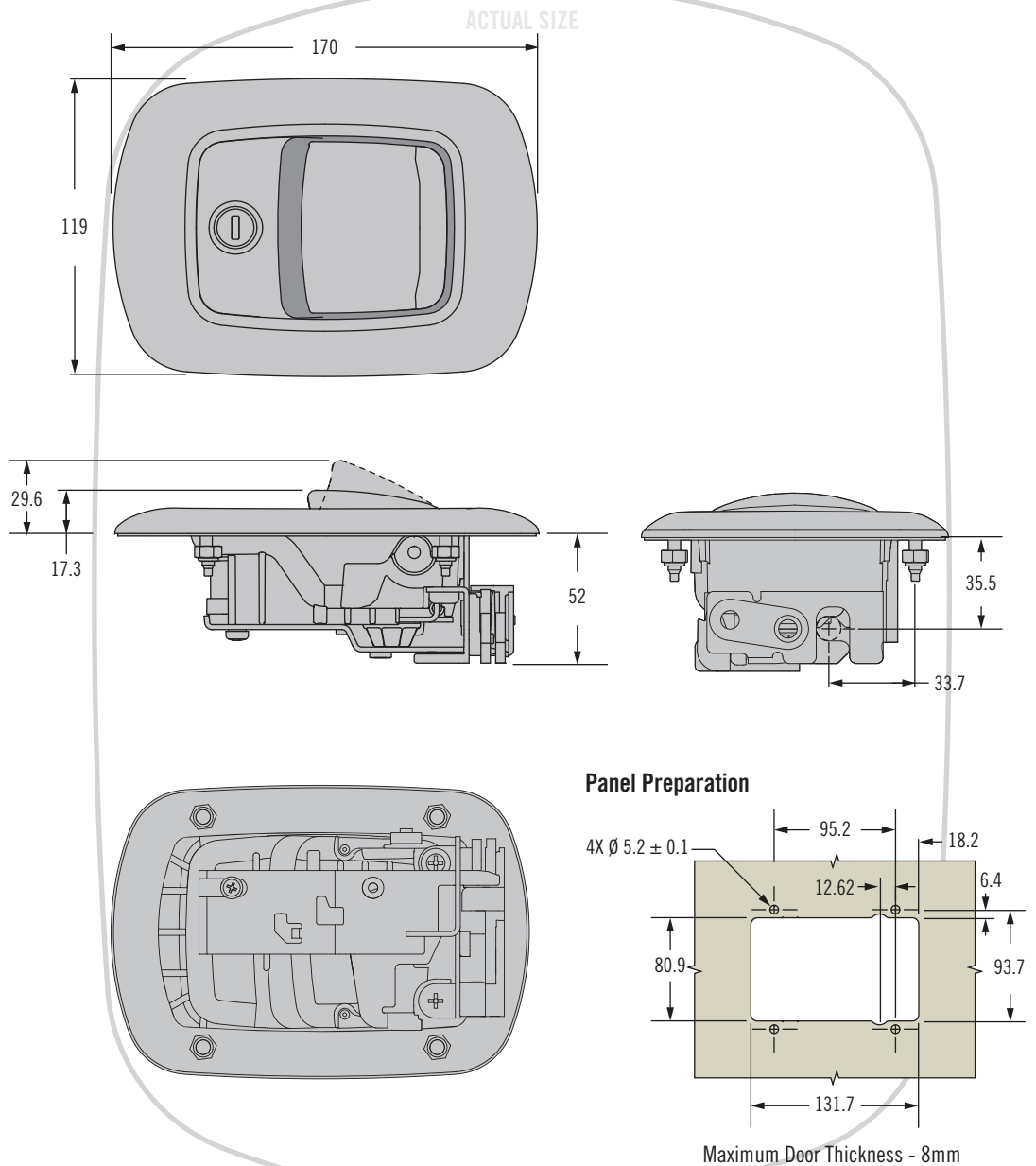
Striker bolt see page 259

Notes

For lock core selection and a complete overview of the *SOUTHCO*® Key-Choice System see page 158

Part Number

See table



S Stage & Bumper

- 2 Single Stage
- 4 Two Stage
- 6 Single Stage with Integrated Bumper
- 8 Two Stage with Integrated Bumper

PP Paddle Finish

- 30 Chrome, polished
- 50 Black powder coated

R4 - 81 - S L 1 - PP - KC

L Locking Options

- 1 Reversible Key (No Keys - R001)
- 2 Reversible Key (2 Keys included - R001)
- 3 Reversible Key (2 keys included - Keyed differently)
- 4 Standard Key (No keys - CH751)
- 5 Standard Key (2 Keys included - CH751)
- 6 Standard Key (2 keys included - Keyed differently)
- 9 No Lock Plug installed (See notes for more information)

KC Key Codes

- (Omit for Locking Options 1, 2, 4, 5 and 9)
- *KD10 Keyed Differently (Only used if L=3 or 6)
- *MK10 Master Keyed Differently (Only used if L=6)

*Supplied in multiples of 10 with 10 different key codes.

Other options available. For complete details on variety, part numbers, installation and specification, go to



www.southco.com/R4

Dimensions in millimetres unless otherwise stated