



# HH Hood Latch

Pop-up function · Secondary Latch · Flush

- Intuitive operation with pop up handle
- Convenient installation with a dual engagement hole mounting design
- Carbon steel slide

### Material and Finish

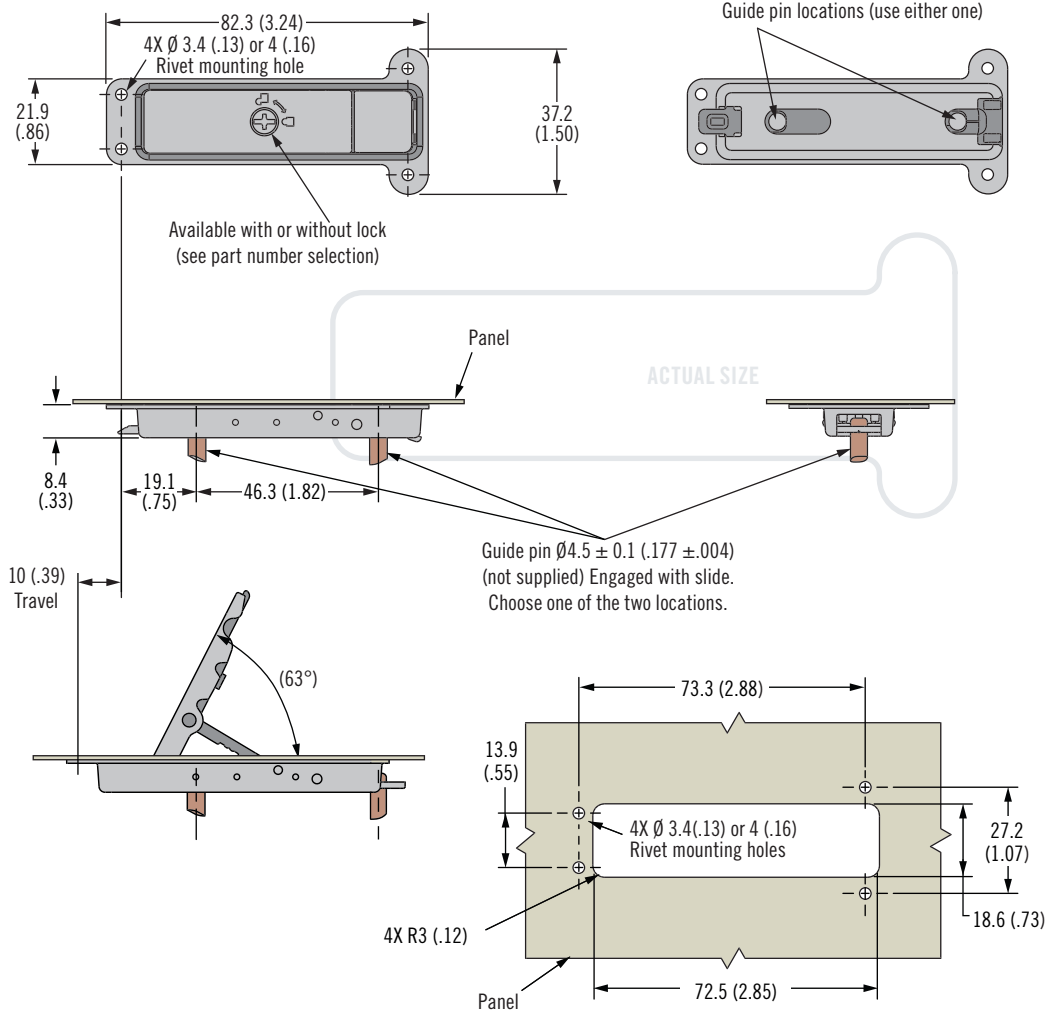
Cup: Steel, zinc plated  
 Lever: Zinc alloy, powder coated  
 Button: Glass reinforced nylon

### Performance Details

Max. working load on side: 100 N  
 Operating temperature range:  
 -40°C to 40°C  
 Flammability rating: UL-94-V0

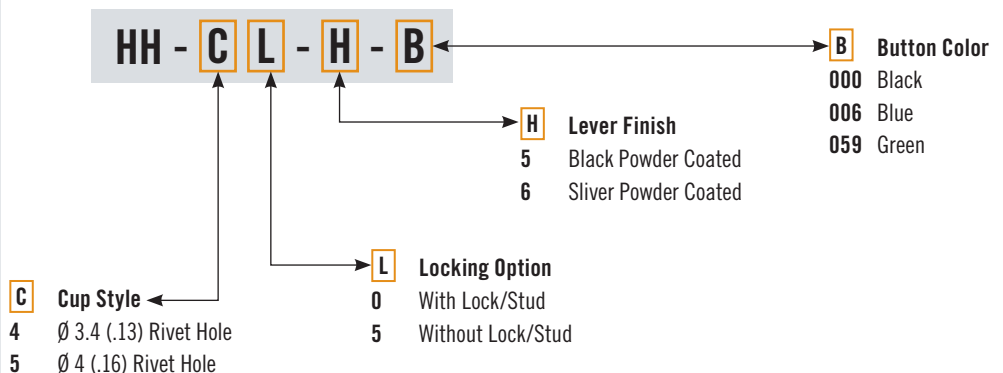
### Installation Notes

Install assembly with  
 Ø 3.4 (.13) or 4 (.16) rivets



### Part Number

See table



Other options available. For complete details on variety, part numbers, installation and specification, go to



[www.southco.com/HH](http://www.southco.com/HH)

Dimensions in millimeters (inch) unless otherwise stated