

REVISION HISTORY				
REV	DATE	DRAWN	CHECKED	DESCRIPTION
A	23JUN2008	VMA	ACH	INT DWG RELEASE



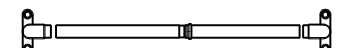
EXAMPLE PART NUMBER:

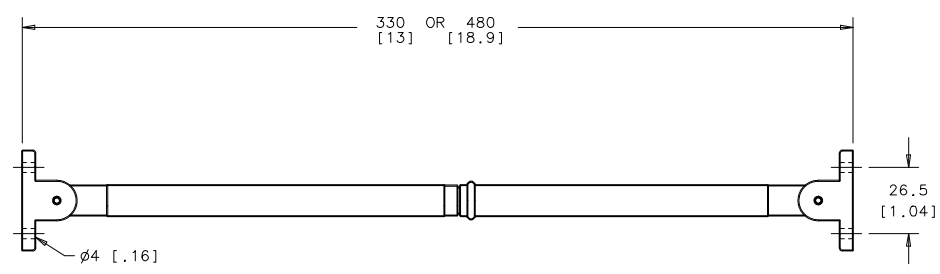
MT-OX-AAA-Y

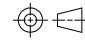

BASIC PART NUMBER

AAA	LENGTH
330	330 [13]
480	480 [19]

Y	COLOR
3	BROWN
6	ALUMINUM
7	WHITE

OX	BRACKET TYPE	MAX. LOAD
05	BASE BRACKET AT BOTH ENDS 	100 KG [220 LBS]
06	BASE BRACKET AND SIDE BRACKET 	50 KG [110 LBS]
07	SIDE BRACKET AT BOTH ENDS 	50 KG [110 LBS]



MT-OX-AAA-Y		NON CORROSIVE MATERIALS		SEE EXAMPLE PART NUMBER	
PART NUMBER		MATERIAL		FINISH	
THIRD ANGLE PROJECTION 		 CONNECT · CREATE · INNOVATE			
ALL DIMENSIONS WITHOUT TOLERANCES ARE FOR REFERENCE ONLY.					
MILLIMETERS [IN]		SIZE A3	SYSTEM I-DEAS	DWG NO. J-MT-OX-AAA-Y	
VOLUME XXXXXmm ³	MASS XXXXg	DRWN/CHKD PRK/XXX	DATE 31MAY2006	SCALE 1:2	SHEET 1 OF 1