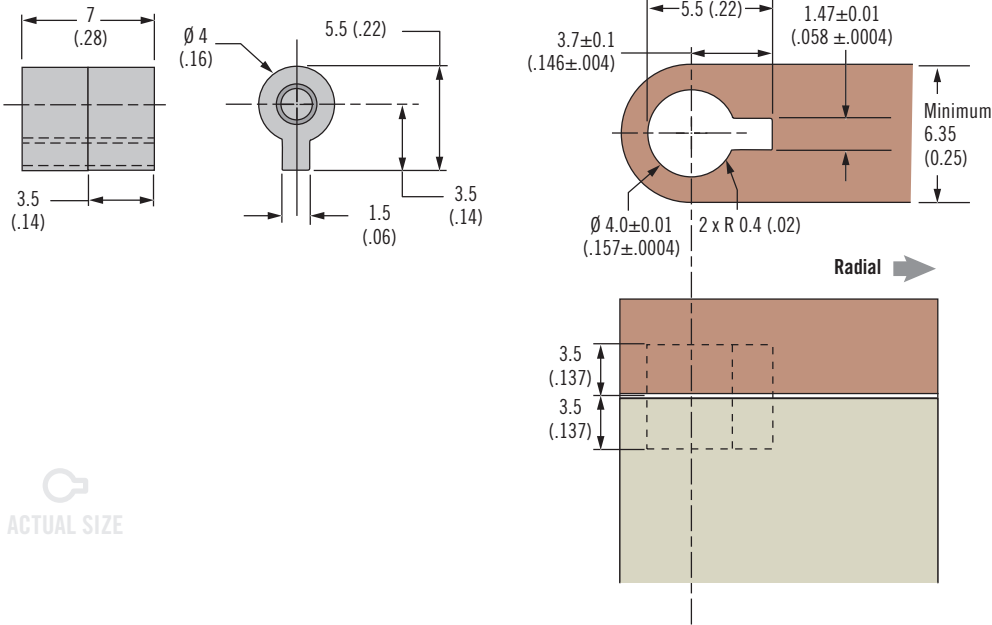
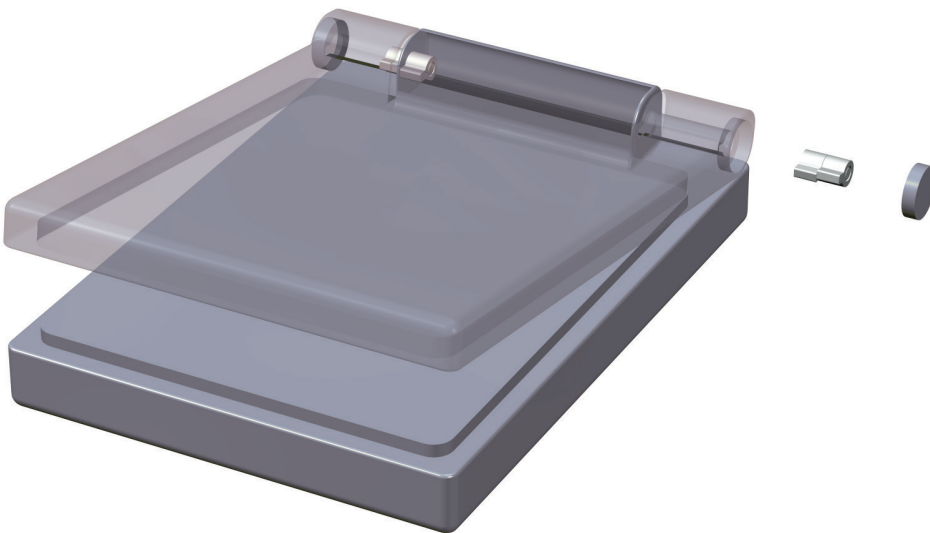


# ST-4A Hinge

Position control · Constant torque



ACTUAL SIZE



- Smooth consistent operation
- Extremely compact, fits the smallest applications
- Never requires adjustment

### Material and Finish

Aluminum, zinc alloy and steel, natural

### Performance Details

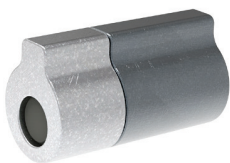
Radial load:  
 Maximum static load: 200 N (45 lbf)  
 Cycle performance:  
 20,000 cycles within 0.023 N·m (.2 in·lbf) of static torque specification

Part Number	Static Torque
ST-4A-3S-33	0.034 N·m (.3 in·lbf)

### Part Number

See table





## ST-5A Hinge

Position control · Constant torque

- Smooth consistent operation
- Compact design fits the smallest applications
- Never requires adjustment

### Material and Finish

Aluminum, zinc alloy and steel, natural

### Performance Details

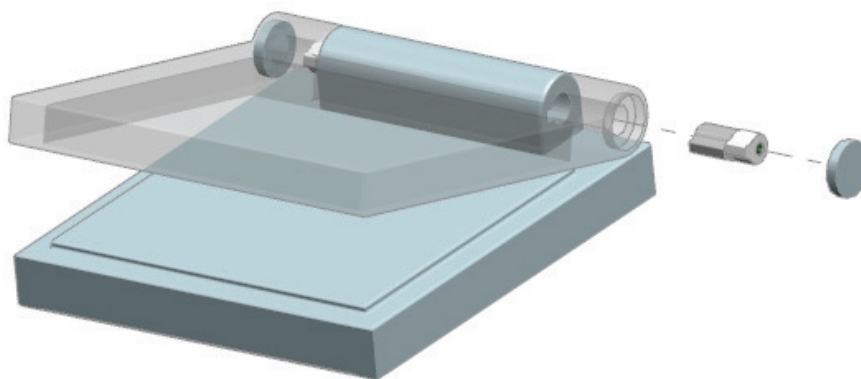
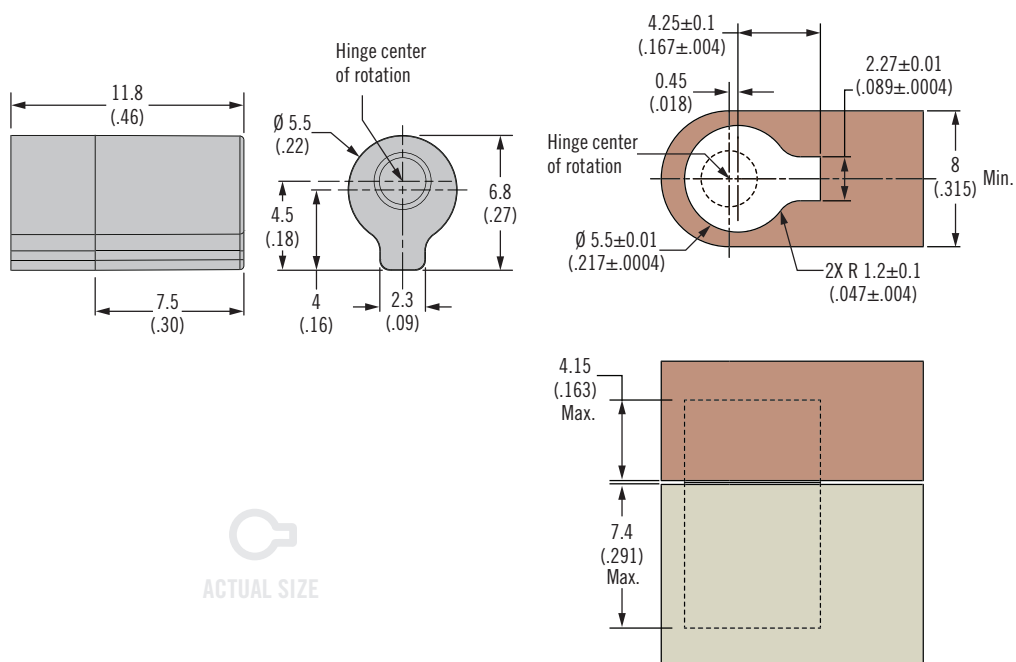
Radial load:

Maximum static load:

130 N (30 lbf)

Cycle performance:

20,000 cycles within  $\pm 20\%$  of static torque specification



### Part Number

See table

Part Number	Static Torque N·m (in·lbf)
ST-5A-10S-33	0.113 (1.0)
ST-5A-16S-33	0.181 (1.6)
ST-5A-23S-33	0.260 (2.3)
ST-5A-30S-33	0.339 (3.0)



[www.southco.com/ST](http://www.southco.com/ST)

Dimensions in millimeters (inch) unless otherwise stated