



EA-P3 High Frequency RFID Access Controller

Standalone Access Controller

- Non-contact proximity based access control
- Reads **MIFARE®** compatible 13.56 MHz RFID credentials
- Integrated LED status indicator
- Compact, low profile design
- Simple, 3 hole installation
- Relay Output (Form C)
- Enables management of 64 users
- Adjustable door release time

Material & Finish

ABS Plastic

Electrical Specifications

Supply Voltage: 12VDC +/- 10%

Operating Current: 160 mA

Maximum (No attached devices)

Operating Temperature: -15 to 55 °C

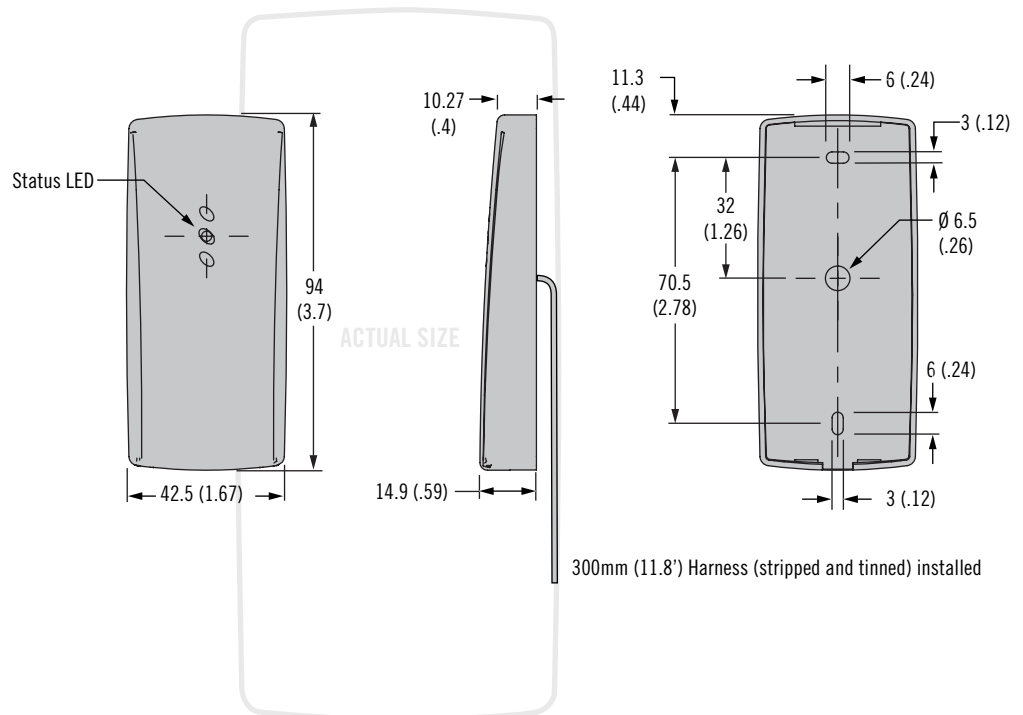
Operating Humidity: 20-90% RH,
No condensation

Transmit Frequency: 13.56 MHz

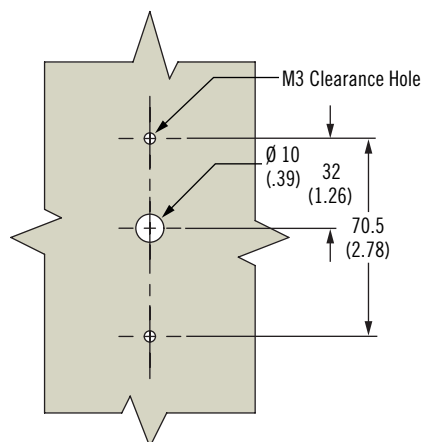
Read Range: Up to 5 cm (2 in.)

Notes

** **MIFARE** is a trademark of NXP B.V.



Panel Preparation



Wire Harness Legend

| Wire Color | Function |
|-------------|----------------------|
| Red | VCC (12VDC) |
| Black | GND |
| Brown | Relay N.O |
| Orange | Relay COM |
| Yellow | Relay N.C. |
| Green | Unused |
| Blue | Auxiliary Input |
| Light Green | LED GND |
| Pink | LED Control (+12VDC) |
| Purple | Tamper Switch N.C. |
| Gray | Tamper Switch N.O. |
| White | Tamper Switch COM |

Part Number Selection*

| | |
|-------------|--|
| EA-P3-200-1 | High Frequency RFID Controller w/ Logo |
| EA-C3-101 | MIFARE® RFID Credential; Slotted, w/o Logo |

* Contact Southco for Custom Color and Logo Options

Other options available. For complete details on variety, part numbers, installation and specification, go to



www.southco.com/EA

Dimensions in millimeters (inch) unless otherwise stated

southco
CONNECT · CREATE · INNOVATE