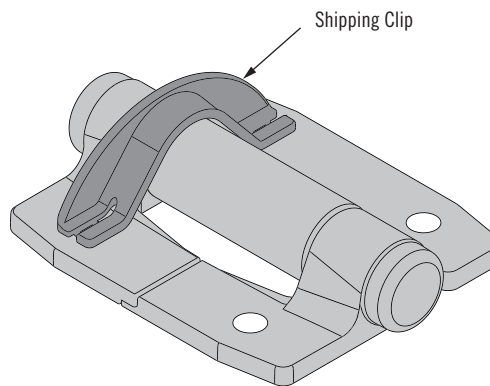
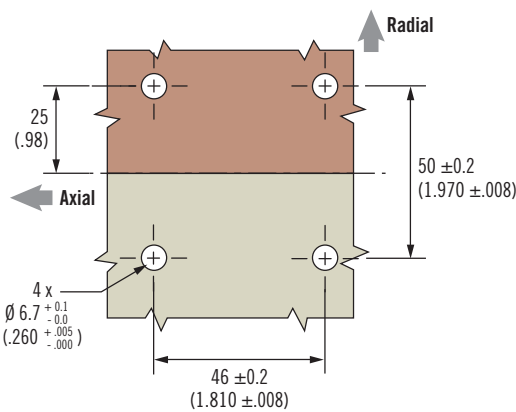
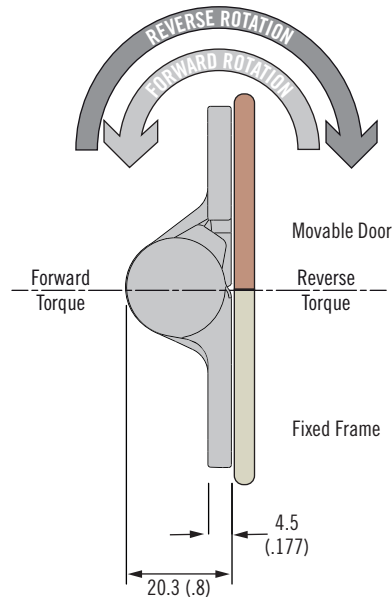
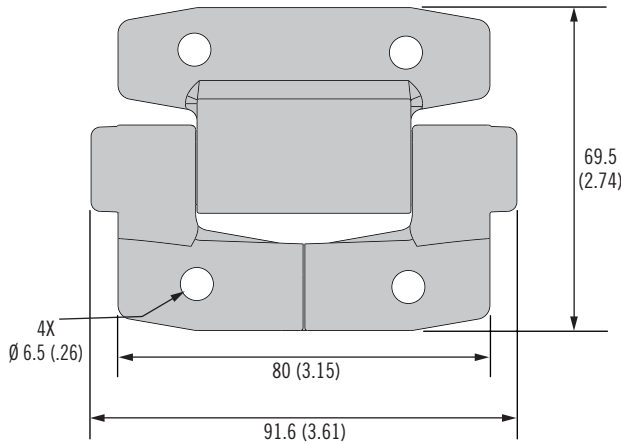


E6 Hinge

Position Control · Constant Torque · One Way



328A



- Holds in every position
- No adjustment required
- Long cycle life
- Minimal resistance in free direction

Material and Finish

Aluminum alloy, black powder coated

Performance Details

Cycle performance: 20,000 Cycles, see trade drawing for details

Radial load:

Max. static load: 2000 N (450 lbf)

Average ultimate load: 3500 N (780 lbf)

Axial load:

Max. static load: 500 N (110 lbf)

Average ultimate load: 6000 N (1300 lbf)

Installation Notes

Do not remove shipping clip until hinge is secured by first pair of screws. Discard or recycle shipping clip when removed.

Part Number

See table

Part Number	Forward Torque N·m (in·lbf)	Reverse Torque N·m (in·lbf)
E6-10-620F0-50	2.3 (20)	Free
E6-10-635F0-50	3.9 (35)	Free
E6-10-650F0-50	5.7 (50)	Free
E6-10-665F0-50	7.3 (65)	Free
E6-10-680F0-50	9.0 (80)	Free
E6-10-695F0-50	10.7 (95)	Free
E6-10-6110F0-50	12.4 (110)	Free
E6-10-620R0-50	Free	2.3 (20)
E6-10-635R0-50	Free	3.9 (35)
E6-10-650R0-50	Free	5.7 (50)
E6-10-665R0-50	Free	7.3 (65)
E6-10-680R0-50	Free	9.0 (80)
E6-10-695R0-50	Free	10.7 (95)
E6-10-6110R0-50	Free	12.4 (110)