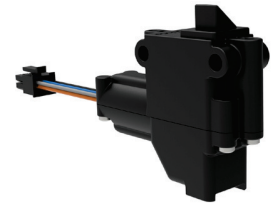


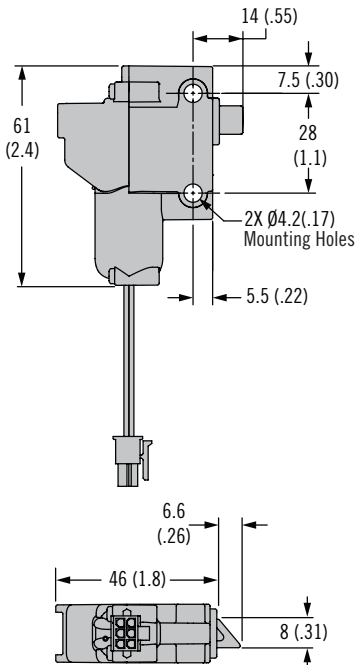
# EM-05-4X Electro-Mechanical Slide Bolt

Push-to-close · Integrated Sensing

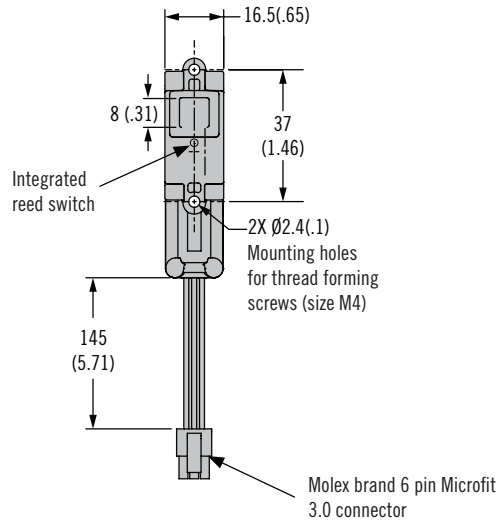


39D

## Perpendicular Mounting Holes

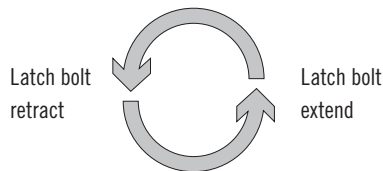
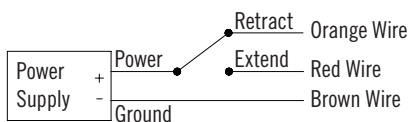


## In-Line Mounting Holes

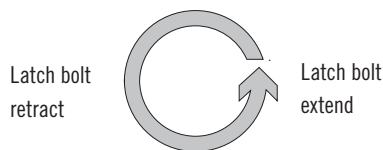
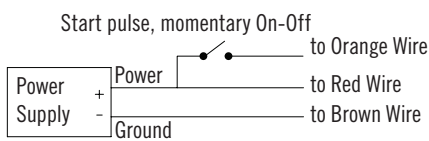


Part Number
EM-05-42-2401

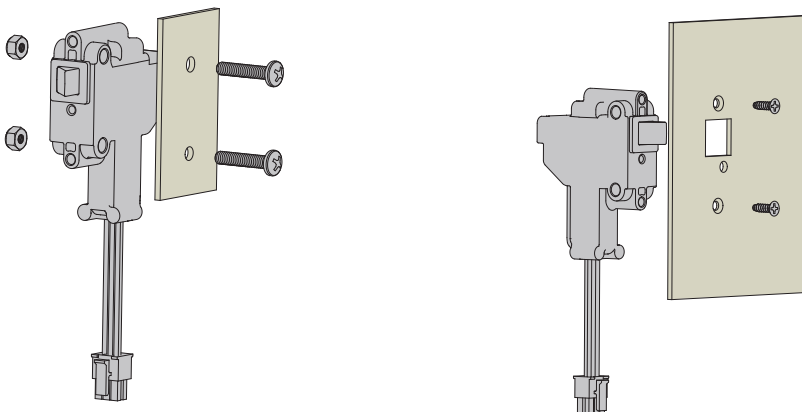
## Two Position (Lock-Unlock) Mode



## Start Pulse (Auto-Relock) Mode



## Mounting Options



**southco**  
CONNECT · CREATE · INNOVATE

Dimensions in millimeters (inch) unless otherwise stated

- Push to close/electrical release
- Integrated Sensors to monitor door and latch status
- Auto-Relock or lock-unlock (2 position)

## Material & Finish

Enclosure: Nylon, black  
Latch Bolt: Acetal, black  
Housing Assembly Screws: Steel, zinc plated

## Electronic Specifications

Supply Voltage: 5VDC +/- 10%  
Operating Current: < 300 mA  
Operating Temperature: 0°C - 60°C  
Operating Humidity: 85% max  
No condensation

## Notes

Visit Southco.com to download further installation and operation details.

Add -1 to the end of the part number for bulk packaging.



[www.southco.com/EM-10](http://www.southco.com/EM-10)