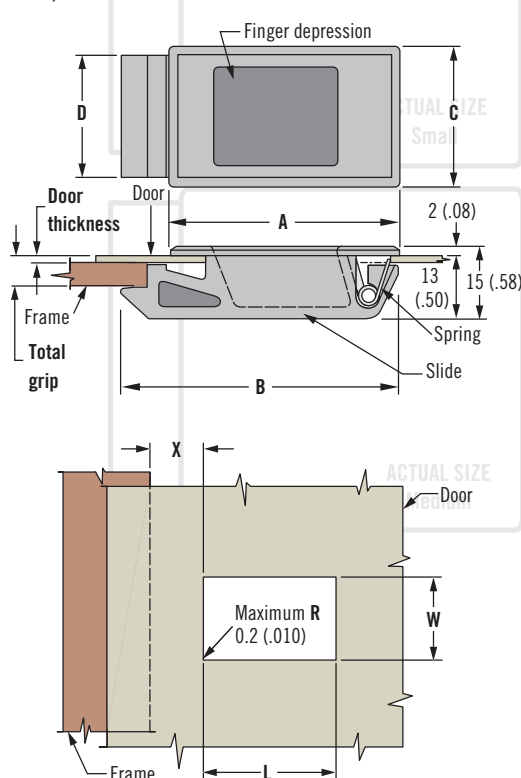


# A3 Push-to-Close Latch

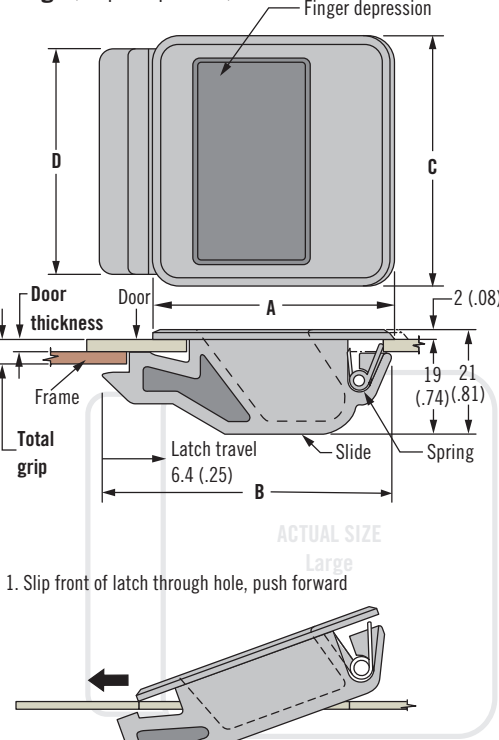
## Slide-to-open · Flush



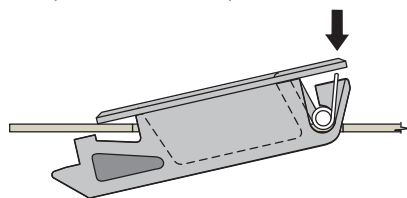
### Mini, Small and Medium



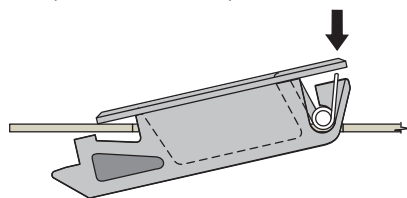
### Large (deeper depression)



1. Slip front of latch through hole, push forward



2. Snap back end of latch into position



Series	Installation		
	L	W	X
Mini	22.0±0.1 (.870±.005)	22.4±0.1 (0.808±.005)	8.5±0.7 (0.330±.027)
Small	38.1±0.1 (1.500±.005)	25.4±0.1 (1.000±.005)	12.7±0.7 (.50±.03)
Medium		44.5±0.1 (1.750±.005)	
Large			

Size	Door Thickness	Total Grip	Dimensions				Part Number	
			A	B	C	D	UL94-HB	UL94-V0
Mini	1.3±0.1 (.050±.005)	6.4±0.1 (.250±.005)	31 (1.21)	35 (1.37)	25 (.98)	22 (.87)	A3-90-525-12	A3-90-525-25
	1.5±0.1 (.060±.005)	6.4±0.1 (.250±.005)	31 (1.21)	35 (1.37)	25 (.98)	22 (.87)	A3-90-625-12	A3-90-625-25
Small	1.3±0.1 (.050±.005)	6.4±0.1 (.250±.005)	47 (1.84)	57 (2.23)	28 (1.11)	25 (.99)	A3-40-525-12	A3-99-187-12
	1.6±0.1 (.060±.005)	6.4±0.1 (.250±.005)	47 (1.84)	57 (2.23)	28 (1.11)	25 (.99)	A3-40-625-12	A3-99-130-12
Medium	2.2±0.1 (.090±.005)	6.4±0.1 (.250±.005)	47 (1.84)	57 (2.23)	48 (1.87)	44 (1.74)	A3-50-925-12	A3-99-144-12
Large	2.2±0.1 (.090±.005)	6.4±0.1 (.250±.005)	48 (1.87)	57 (2.23)	50 (1.95)	44 (1.74)	A3-99-122-12	A3-99-253-01

- Single hole snap-in installation
- Corrosion-resistant materials

### Material and Finish

Latch: ABS, black  
Spring: Stainless steel

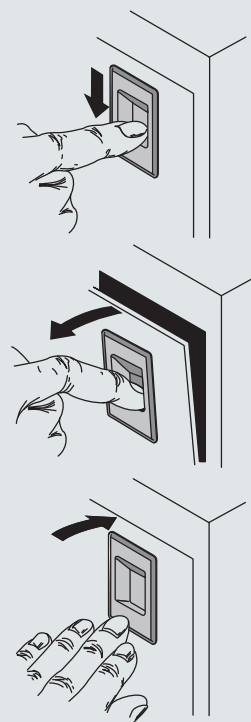
### Performance Details

90 series 140 N (32 lbf)  
40 series 180 N (40 lbf)  
50 and 99 series 220 N (50 lbf)  
Operating temperature range:  
-40°C (-40°F) to 60°C (140°F)

Flammability rating:  
UL94-HB or UL94-V0

### Installation Notes

- Prepare a burr free hole
- Door thickness must include plating or paint thickness



### Part Number

See table