



# 19 Swell Action Latch

## Plastic

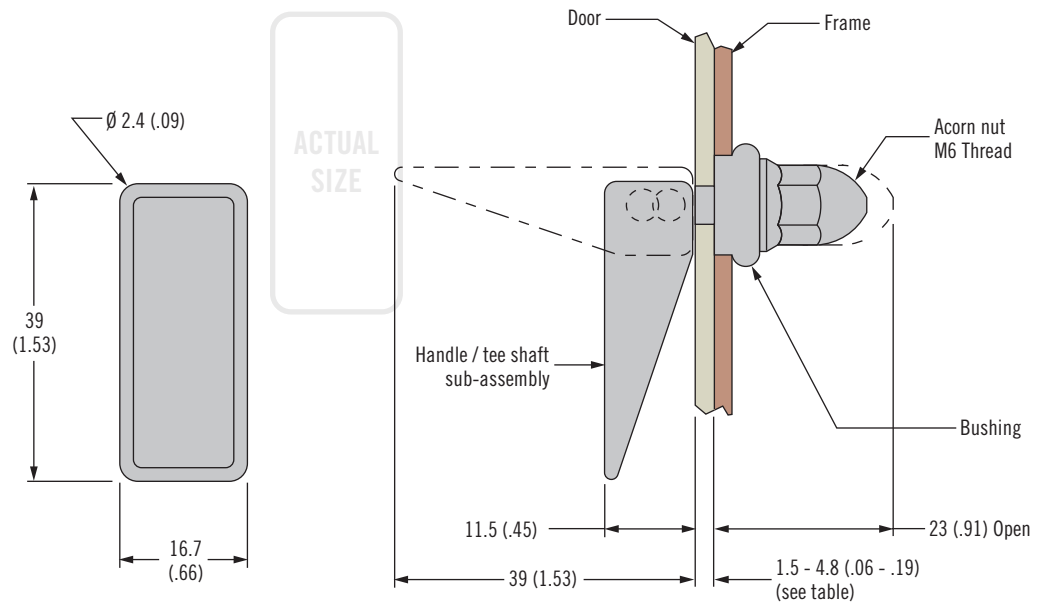
- Accommodates misalignment
- Vibration dampening

### Material and Finish

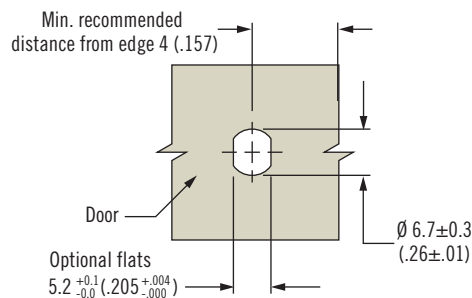
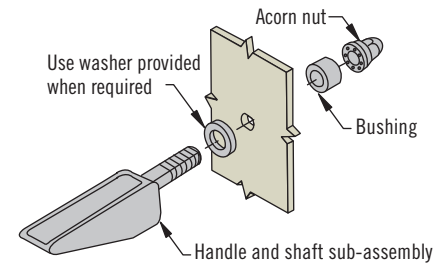
Nylon and glass-filled nylon black with rubber bushing

### Performance Details

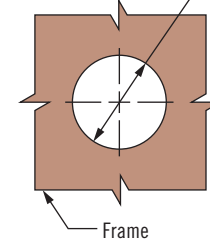
Frame thickness	Rated load (short term)
1.5 (.059)	400 N (90lbf)
2.5 (.098)	690 N (155lbf)
3.2 (.125)	620 N (140lbf)
4.8 (.190)	190 N (43lbf)



Door Thickness	Use Washer?	Adjustment Required
1.7±0.2 (.07±.01)	Yes	No
1.9 - 2.3 (.08 - .09)	Yes	Yes
2.5±0.2 (.10±.01)	No	No
2.7 - 4.8 (.11 - .19)	No	Yes



Ø 13.7±0.3 (.54±.01) for frame thickness up to 3.2 (.13)  
 Ø 14.1±0.3 (.56±.01) for frame thickness 3.2 - 4.8 (.13 - .19)

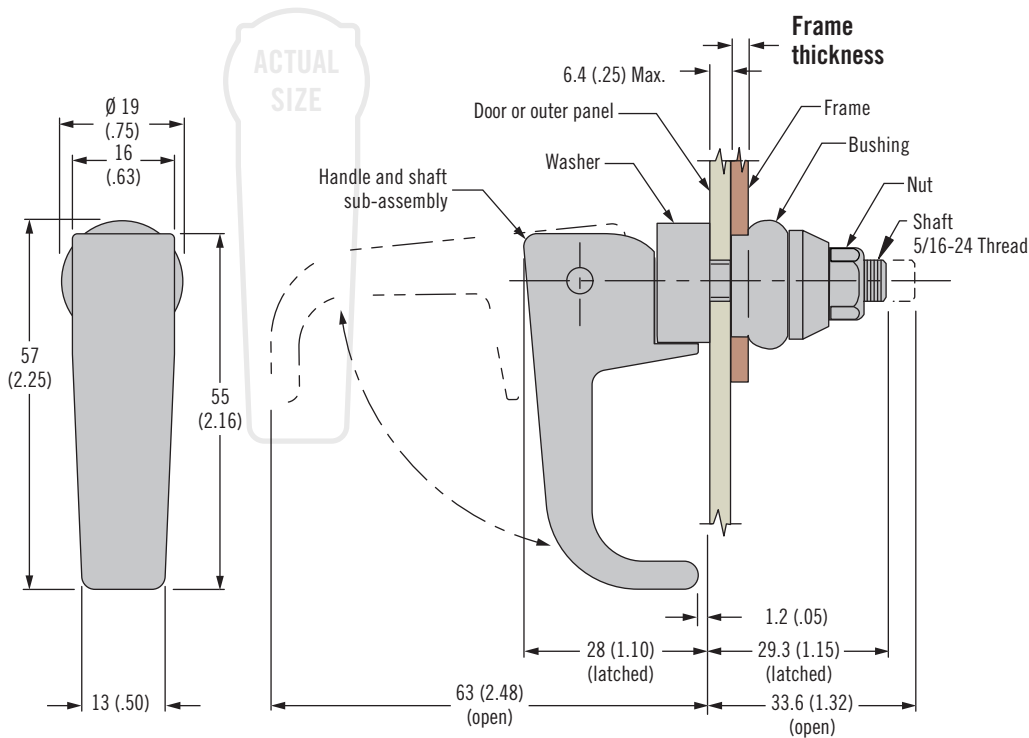


### Part Number

See table

Part Number	Packaging
19-51-01	Components bulk packaged
19-54-01	1 Assembly per bag

# 19 Swell Action Latch Zinc



- Accommodates misalignment
- Vibration dampening

### Material and Finish

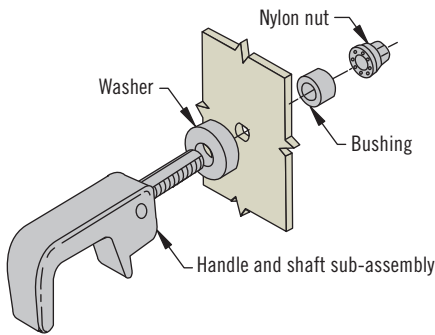
Zinc alloy, black powder coated, acetal and rubber bushing

### Performance Details

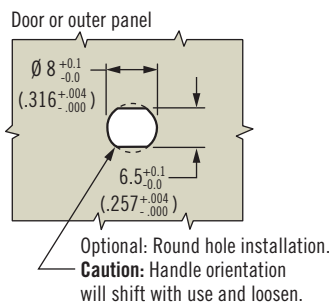
Frame thickness	Rated load (short term)
1.2 (.05) to 3.2 (.13)	330 N (75 lbf)
3.2 (.13) to 4.8 (.19)	660 N (150 lbf)
4.8 (.19) to 6.4 (.25)	550 N (125 lbf)
6.4 (.25) and Up	220 N (50 lbf)

### Installation Notes

Maximum tightening torque on mounting nut: 1.0 N·m (9 in·lbf)



Frame Thickness	Ø K <sup>+0.5 (.031)</sup> <sub>-0.0 (.000)</sub>
1.2 - 3.2 (.05 - .13)	19 (.750)
3.2 - 4.8 (.13 - .19)	19.5 (.766)
4.8 - 6.4 (.19 - .25)	20 (.781)
6.4 (.25) and up	20.5 (.797)



Material	Part Number	Finish
Zinc alloy	19-14-10	Black powder coated

### Part Number

See table



# 19 Swell Action Latch

## Plastic · Flush

- Flush low profile design
- Accommodates misalignment
- Vibration resistant

### Material and Finish

Nylon black with stainless steel mounting bracket and rubber bushing

Set tool: 1095 Steel, zinc plated

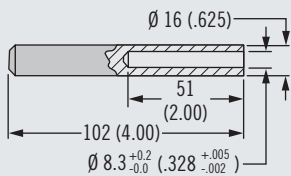
### Performance Details

Series	Frame thickness	Rated load (short term)
19-83-10	0.5 - 3.2 (.016 - .13)	180 N (40lbf)
19-93-10	0.5 - 3.2 (.016 - .13)	440 N (100lbf)
	3.2 - 4.8 (.125 - .19)	330 N (75lbf)

### Installation notes

Position bracket and retainer over stud and strike set tool. Adjust mounting nut to set latching tension.

Set tool

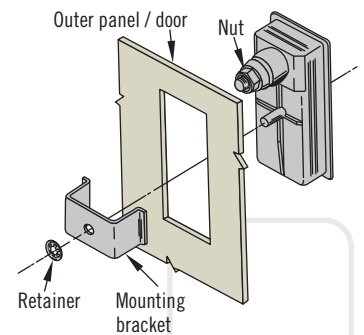
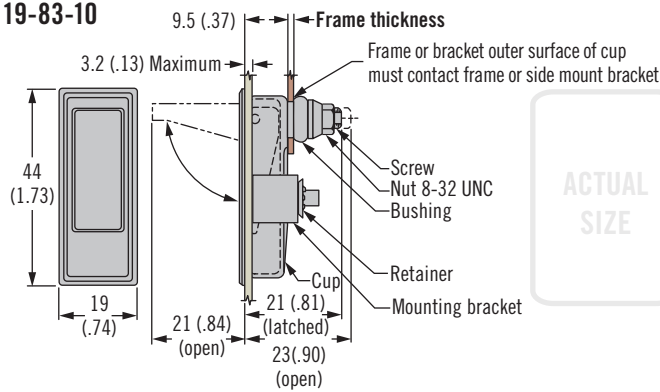


Tool part number: 17-10019-11

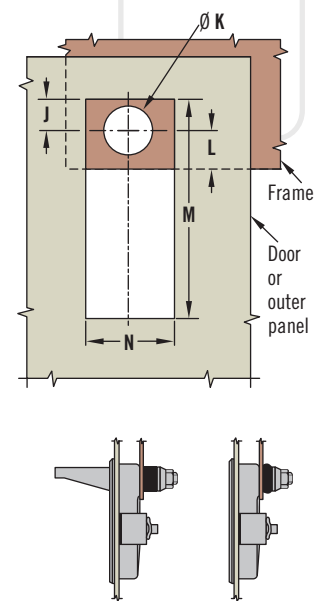
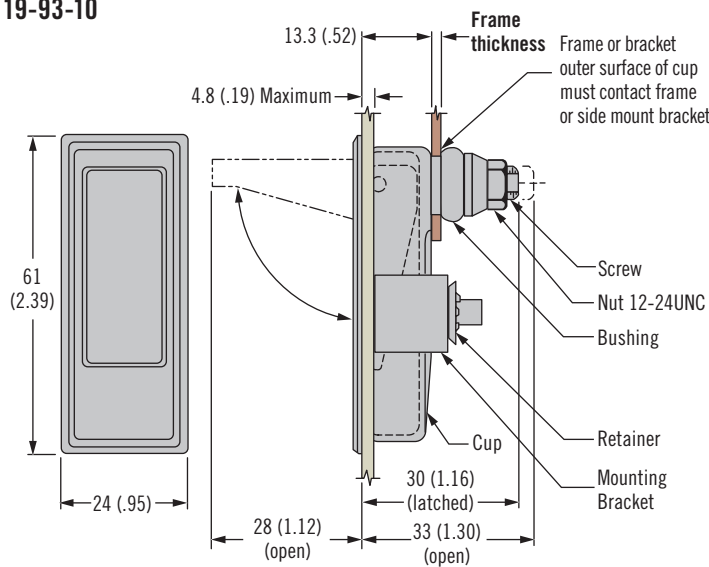
### Part Number

See table

### 19-83-10



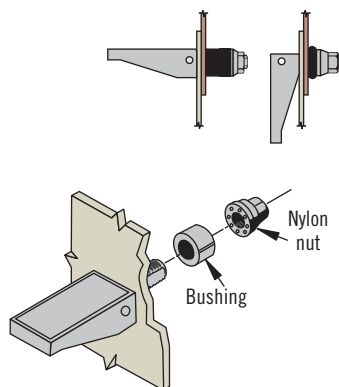
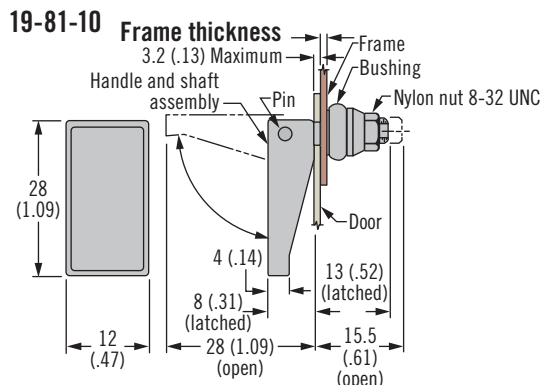
### 19-93-10



Part Number	Max. Misalignment Between Centerlines of Panel Hole and Frame Hole	Frame or Bracket					Outer Panel / Door	
		Rated Load (Short Term)	Frame Thickness	J±0.3 (.010)	Ø K +0.5 (.020) -0.0 (.000)	L Max.	M	N
19-83-10	0.4 (.015)	180 N (40lbf)	3.2 (.13) Max.	6 (.234)	9.5 (.375)	11 (.45)	41.5 <sup>+0.4</sup> <sub>-0.0</sub> (+0.005 <sub>-0.0</sub> )	16.5 <sup>+0</sup> <sub>-0.4</sub> (.640 <sup>+0</sup> <sub>-.005</sub> )
19-93-10	0.6 (.025)	440 N (100lbf)	Up to 3.2 (.13)	8 (.312)	13.5 (.531)	15 (.56)	57.5±.02 (2.265±.005)	20.5 <sup>+0.4</sup> <sub>-0.0</sub> (.812 <sup>+0</sup> <sub>-.005</sub> )
	0.8 (.030)	330 N (75lbf)	3.2 - 4.8 (.13 - .19)		14 (.56)			

# 19 Swell Action Latch

## Plastic



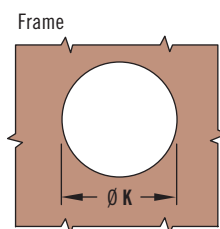
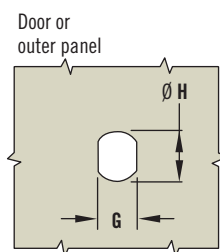
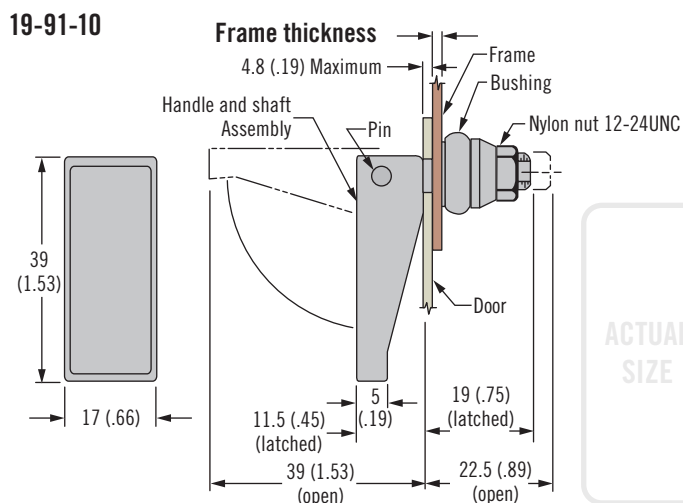
- Accommodates misalignment
- Vibration dampening

### Material and Finish

Nylon and glass-filled nylon black with rubber bushing

### Performance Details

Series	Frame thickness	Rated load (short term)
19-81-10	0.5 - 3.2 (.016 - .13)	180 N (40lbf)
19-91-10	0.5 - 3.2 (.016 - .13)	440 N (100lbf)
	3.2 - 4.8 (.125 - .19)	330 N (75lbf)

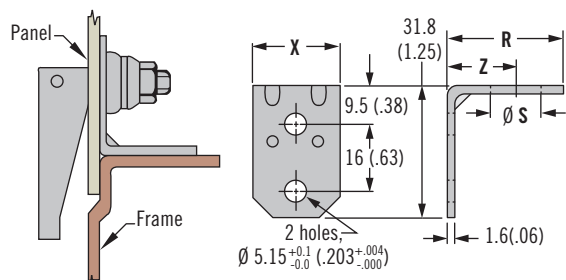


### Installation notes

Maximum tightening torque on mounting nut: 1 N•m (9 in•lbf)

Part Number	G +0.1 (+.004) -0.0 (-.000)	H +0.1 (+.004) -0.0 (-.000)	Frame Thickness	K +0.5 (+.030) -0.0 (-.000)
19-81-10	3.3 (.130)	4.1 (.161)	3.2 (.13) Maximum	9.5 (.375)
19-91-10	4.5 (.177)	5.8 (.228)	Up to 3.2 (.13)	13.5 (.531)
			3.2 - 4.8 (.13 - .19)	14 (.547)

### Accessories - Side mount bracket



Latch Part Number	$\phi S$	R	X	Z	Bracket Part Number
19-81-10 and 19-83-10	9.5 (.38)	27 (1.06)	20.5 (.81)	16.7 (.66)	19-0-15666-11
19-91-10 and 19-93-10	13.5 (.53)				19-0-15665-11

### Part Number

See table